

STAINLESS STEEL ACCESSORIES

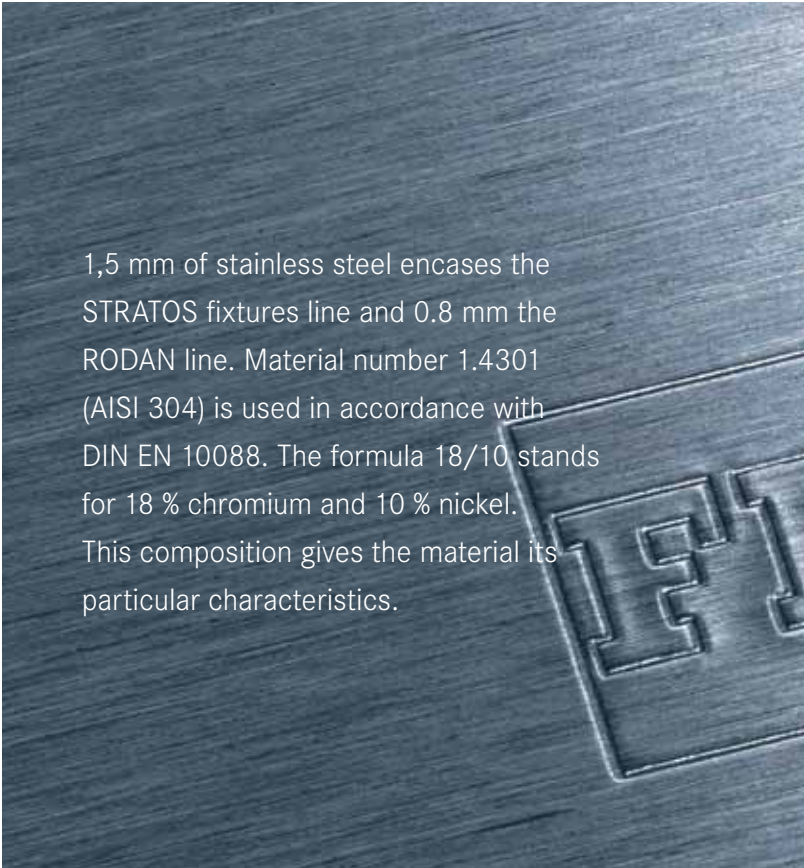
RODAN - STRATOS



*Make
it
Wonderful*

FRANKE

1,5



1,5 mm of stainless steel encases the STRATOS fixtures line and 0.8 mm the RODAN line. Material number 1.4301 (AISI 304) is used in accordance with DIN EN 10088. The formula 18/10 stands for 18 % chromium and 10 % nickel. This composition gives the material its particular characteristics.

HIGH-QUALITY MATERIAL

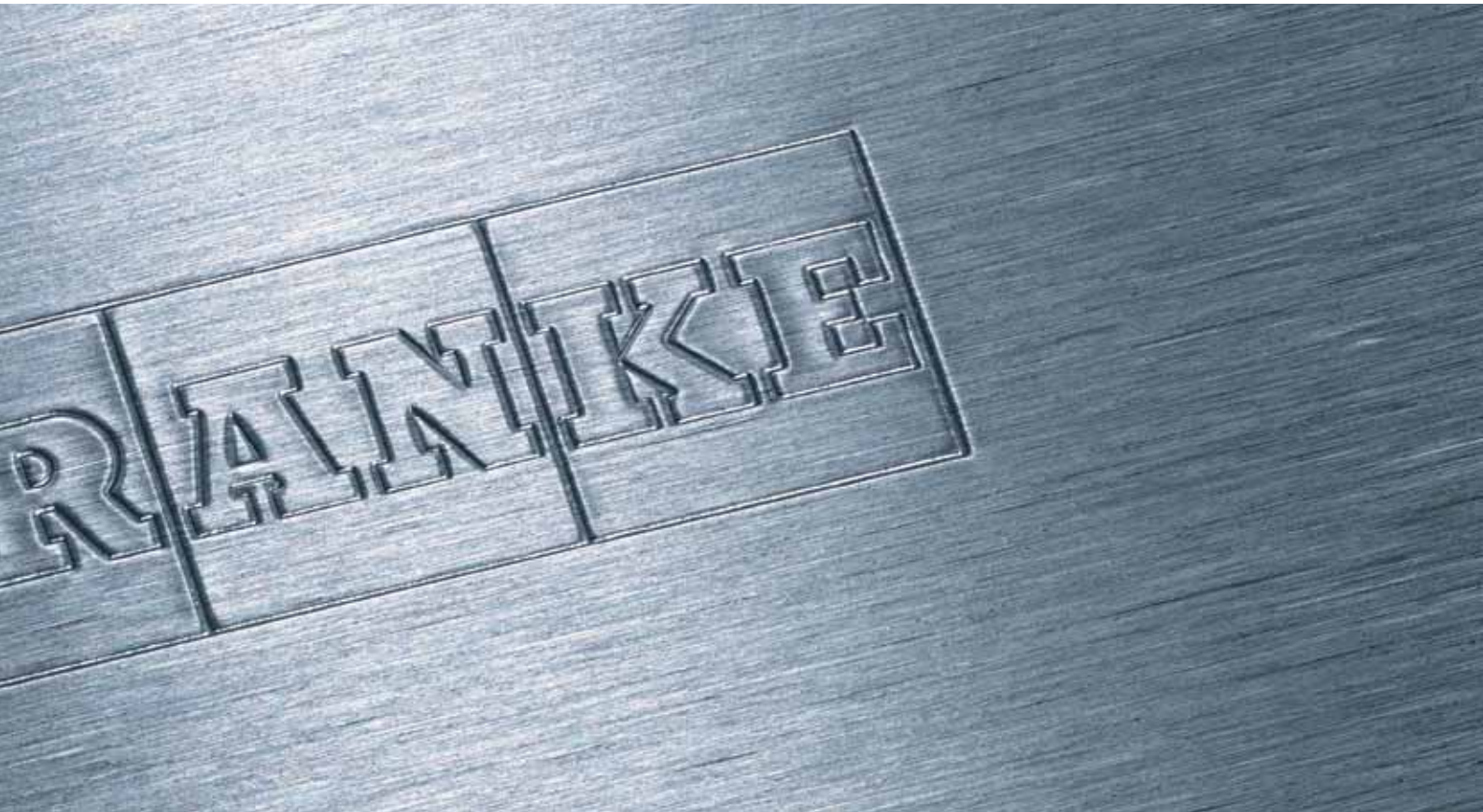
The use of stainless steel as the material of first choice for products in public and semi-public washrooms has become today's standard for good reasons. This material is robust and, easy to maintain, and therefore is very durable which makes the products economical over the life time of the building. Sanitary fixtures that inhibit vandalism and are easy to clean help building operators to keep service and maintenance costs to a minimum.

Stainless steel is not only resistant to moisture and most acids, it also stands out due to its hardness, durability, high tolerance of heat and cold, and hygienic characteristics. Dirt and oil can easily be washed from the smooth, pore-free surface. Scratches and gouges on faceplates lose their sharp edges quickly and blend in to the surface.

"Stainless steels contain at least 10.5% chromium (Cr) and no more than 1.2% carbon (C). They form a self-regenerating surface layer (passive layer) that gives the material its resistance to corrosion, thereby ensuring significantly improved characteristics compared to unalloyed steels. Franke uses steels with a higher chromium content and nickel as an additional alloy component for its sanitary fixtures. This combination further increases resistance to corrosion."

Source: Yasar Renkci, dipl. engineer metallurgy TU, Franke





HYGIENIC MATERIAL

Practical experience shows that using high-quality materials reduces the staining of products that helps to maintain the appearance of heavily used washrooms. Wash stations and accessories take on a hygienic atmosphere. Thanks to its durable and hygienic characteristics, stainless steel provides clean and, safe products for public washrooms.



Brushes with natural or synthetic bristles, textiles made of chemical or natural fibres, microfibre cloths, non-woven plastic textiles, natural leather, sponge cloths, sponges, high-pressure cleaners, steam cleaners, etc. toothpaste, household cleaners, window cleaners and natural cleaning agents such as vinegar water (20/80) are well suited for removing heavier stains.



RECESSED OR WALL MOUNTING? THE CHOICE IS YOURS

With wall-mount and recess-mount models, Franke products permit the greatest flexibility possible in washroom fixtures. Prevention of vandalism, cleaning efficiency and sustainability are increasingly discussed and requested for new sanitary rooms or for refurbishment in public, semi-public and commercial spaces.

Recessed mounting models:

In addition to prominent product characteristics, there are other aspects to recess-mounted models: Flush mounting offers a reduced surface for wilful destruction and provides a space-saving solution in tight wash station areas and restrooms. Recessed mounting also minimizes cleaning time. An integrated mounting frame greatly simplifies the fitting to both drywall and solid construction frames.



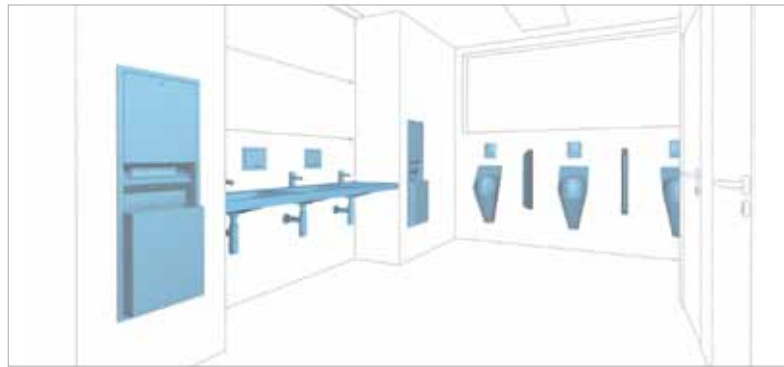
Wall mounting models:

Special wall mounting brackets enable the installer to complete the installation quickly and securely. The RODAN line's universal hole patterns ensure great installation flexibility, especially when retrofitting the products.



ONE SYSTEM - ONE PARTNER

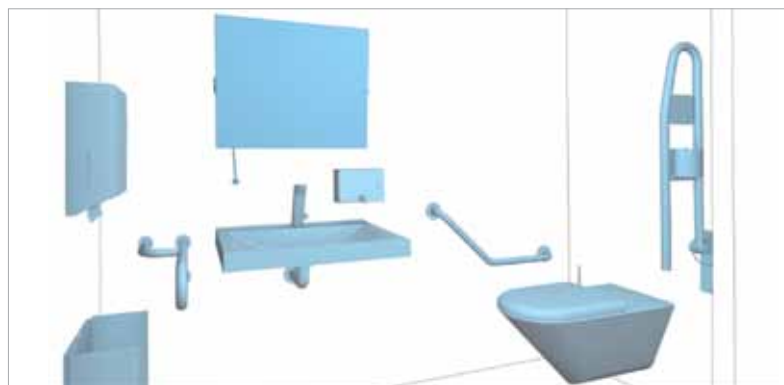
Franke Water Systems offers the possibility of custom combinations of state-of-the-art valve technology and timelessly elegant fixtures made of stainless steel and Miranit. The resulting solutions redefine both the design and operation of sanitary facilities.



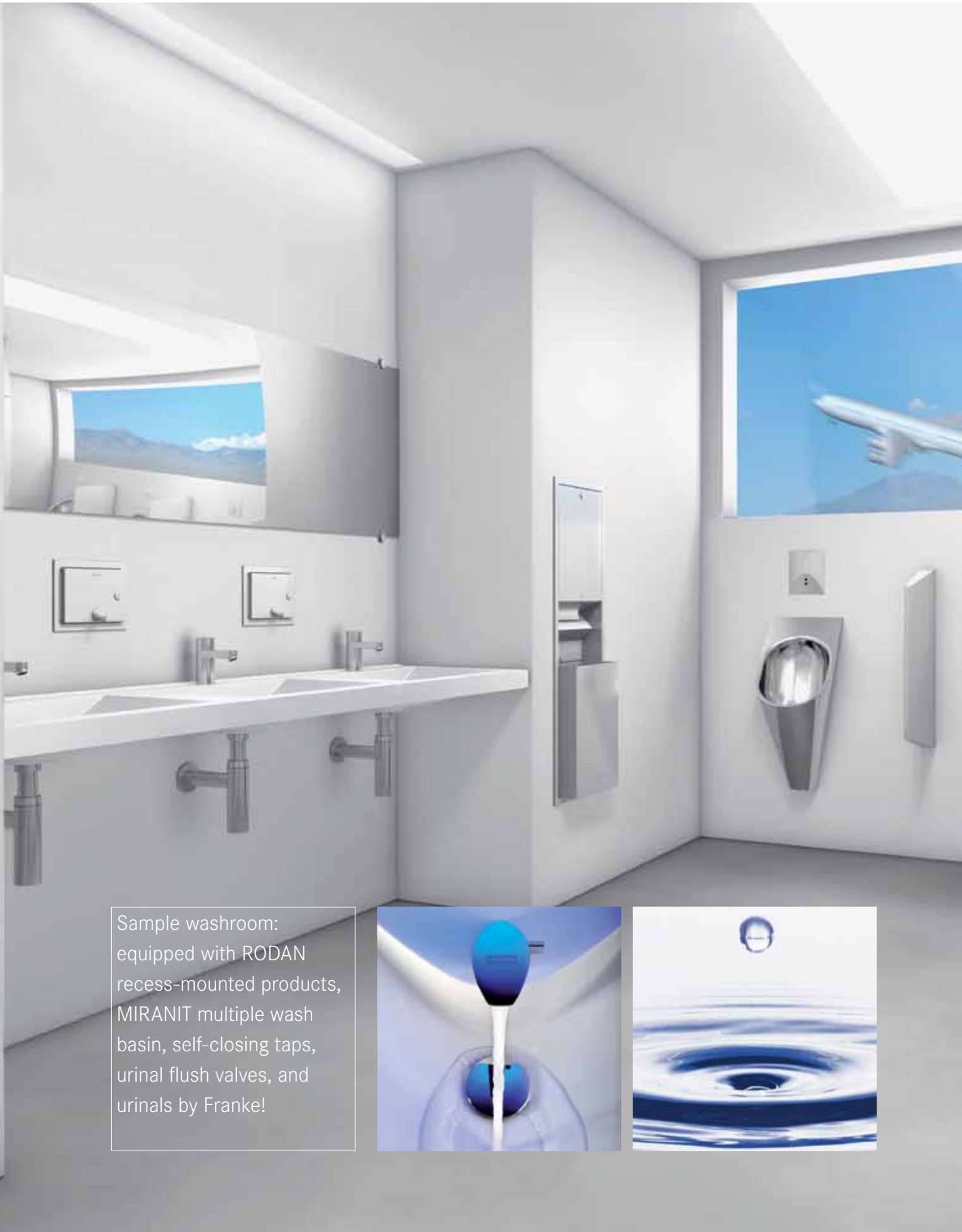
WASHROOM: paper towel dispensers/waste bins, sensor flush valves, soap dispensers, self-closing taps, 3-person recessed wash basin



TOILET CABINES/URINAL CABINES: urinals, urinal divider, urinal flush valves, hook, toilet roll holder, toilet brush and brush holder, toilet with seat, flush plate



HANDICAP-ACCESSIBLE TOILET CABINE: paper towel dispenser, waste bin, tilted mirror, wall-mounted grab bar, single wash basin, sensor operated tap, soap dispenser, side-mounted hand rail 135°, handicap-accessible toilet with seat, fold-up grab bar with flush actuator



Sample washroom:
equipped with RODAN
recess-mounted products,
MIRANIT multiple wash
basin, self-closing taps,
urinal flush valves, and
urinals by Franke!



37 PRODUCTS

... that's what you'll find in the RODAN sanitary line. With 100 years of experience in stainless steel, Franke Water Systems delivers coordinated solutions for public, semi-public and commercial sanitary facilities. Functional, high-quality, hygienic products offer professionals the appropriate solution for designing washrooms.

EXPERIENCE THE ADVANTAGES

The timeless design of RODAN stainless steel fixtures with their angular side profiles lends itself to the contemporary decor of heavily frequented washrooms and restrooms. These accessories open to planners and operators the possibility of economical, aesthetic design of customized washroom design.

0.8 mm of durable stainless steel

304 AISI stands for high-quality stainless steel

up to 600 paper towels per dispenser

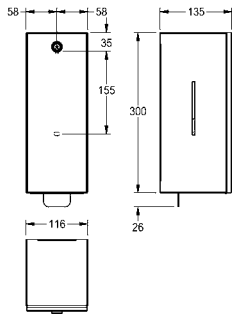
2,000 soap pump operations possible per fill

1,250,000 tested soap pump operations without loss of function

Sanitary Equipment RODAN

VIEW	TYPE / MODEL	ITEM-NUMBER
	<p>RODAN Soap dispenser</p> <p>for wall mounting, stainless steel, surface satin finished, material thickness 0.8 mm, flat front cover, cylinder lock with Franke standard key, suitable for liquid soaps and lotions, 1 litre soap tank, push button on front, including stainless steel screws and dowels.</p> <p>200 x 140 x 85 mm (W x H x D)</p>	<p>RODX619</p> <p>2000090068</p>
	<p>RODAN Soap dispenser</p> <p>for recessed mounting, stainless steel, surface satin finished, material thickness 0.8 mm, folded front cover, cylinder lock with Franke standard key, suitable for liquid soaps and lotions, 1 liter soap tank, push button on front, including stainless steel screws and dowels.</p> <p>241 x 243 x 86 mm (W x H x D)</p>	<p>RODX619E</p> <p>2000090069</p>
	<p>RODAN Soap dispenser</p> <p>for wall mounting, stainless steel, surface satin finished, material thickness 0.8 mm, flat front cover, cylinder lock with Franke standard key, suitable for liquid soaps and lotions, 0.8 litre soap tank, plastic dispensing handle, including stainless steel screws and dowels.</p> <p>116 x 321 x 143 mm (W x H x D)</p>	<p>RODX618</p> <p>2000090067</p>
	<p>RODAN Soap dispenser</p> <p>for recessed mounting, stainless steel, surface satin finished, material thickness 0.8 mm, folded front cover, cylinder lock with Franke standard key, suitable for liquid soaps and lotions, 0.8 liter soap tank, lever to pull, including stainless steel screws and dowels.</p> <p>154 x 463 x 143 mm (W x H x D)</p>	<p>RODX618E</p> <p>2000090066</p>

VIEW TYPE / MODEL ITEM-NUMBER



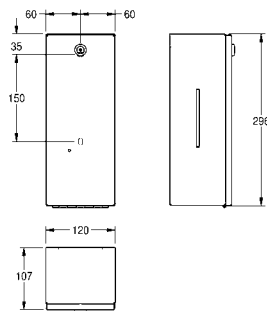
RODAN Foam soap dispenser

for wall mounting, stainless steel, surface satin finished, material thickness 0.8 mm, cylinder lock with Franke standard key, inspection windows on sides, suitable for Franke foam soap, stainless steel pull lever, including stainless steel screws and dowels.

116 x 326 x 135 mm (W x H x D)

RODX616

2000101222



RODAN Touch-free soap and disinfectant dispenser

for wall mounting, stainless steel, surface satin finished, material thickness 0.8 mm, flat front cover, cylinder lock with Franke standard key, infrared sensor for non-touch operation, LED indicates low-battery status, uses 6 x 1.5V (= 9V) AA alkaline batteries, suitable for liquid soaps, lotions and antiseptic soaps, 0.8-liter soap tank, dispenses 0.6 to 1.1 ml depending on soap, including stainless steel screws and dowels.

120 x 296 x 107 mm (W x H x D)

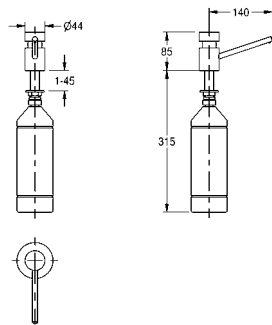
RODX625

2000090070

complementary: Dispensing tube for the use with alcohol based disinfection soap.

EACCS055

2000103333



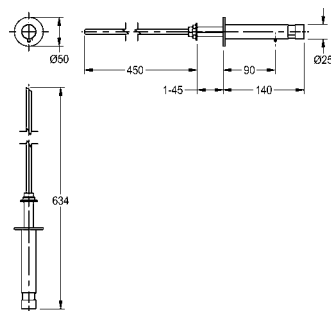
Soap dispenser

for table top mounting into worktops, with max. 45 mm thickness, high polished chromated brass, requires 22 mm drilling hole, 1/2" thread, spout not movable, spout length 140 mm, suitable for liquid soaps and lotions, 1 liter soap tank with membrane for pressure balance, filled from above.

44 x 85 x 162 mm (W x H x D)

SD80

2000056721



Soap dispenser

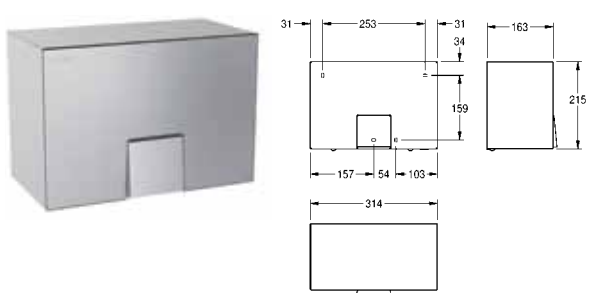
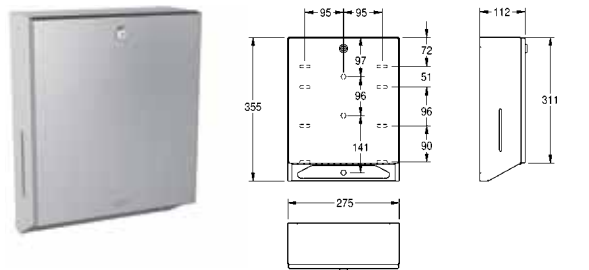
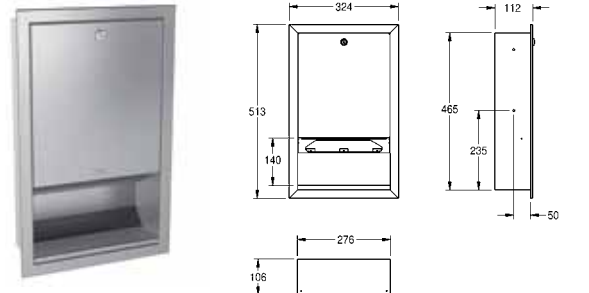
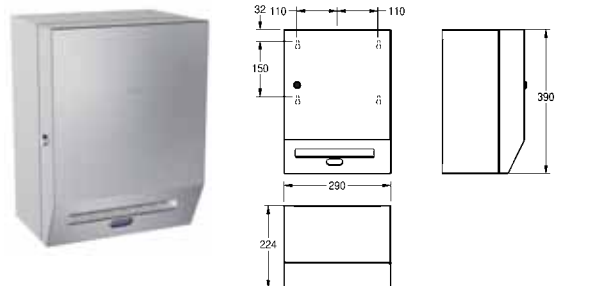
for wall mounting and re-filling from serviceroom behind the wall, high polished chromated brass, requires 18 mm drilling hole, 3/8" thread, spout not movable, suitable for liquid soaps and lotions, without soap tank (can be directly connected to soap can), for filling from behind the wall.

50 x 50 x 140 mm (W x H x D)

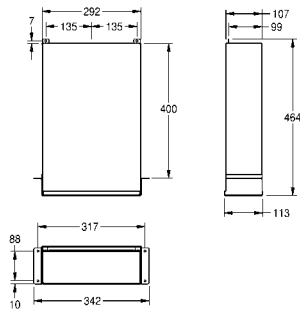
SD110

2000102699

Sanitary Equipment RODAN

VIEW	TYPE / MODEL	ITEM-NUMBER
	<p>RODAN Touch free electronic warm air hand dryer</p> <p>for wall mounting, stainless steel, surface satin finished, material thickness 1.2 mm, infrared sensor for non-touch operation, sensor range adjustable from 10 to 30 cm, cable and plug not included.</p> <p>314 x 215 x 163 mm (W x H x D)</p> <p>Connection voltage: 230 V, 50 Hz Heater: 2100 W Air volume: 274 m³/h</p> <p>Total power: 2200 W Motor: 100 W motor w. 2850 RPM Air velocity: 15.5 m/s</p> <p>RODX310</p>	<p>2000090055</p>
	<p>RODAN Paper towel dispenser</p> <p>for wall mounting, stainless steel, surface satin finished, material thickness 0.8 mm, flat front cover, cylinder lock with Franke standard key, inspection windows on sides, loading capacity 500 - 800 paper towels depending on convolution, including stainless steel screws and dowels.</p> <p>275 x 355 x 112 mm (W x H x D)</p> <p>RODX600</p>	<p>2000090056</p>
	<p>RODAN Paper towel dispenser</p> <p>for recessed mounting, stainless steel, surface satin finished, material thickness 0.8 mm, flat front cover, cylinder lock with Franke standard key, loading capacity 500 - 800 paper towels depending on convolution, including stainless steel screws and dowels.</p> <p>324 x 513 x 112 mm (W x H x D)</p> <p>RODX600E</p>	<p>2000090057</p>
	<p>RODAN Touch-free paper towel dispenser</p> <p>for wall mounting, stainless steel, surface satin finished, material thickness 0.8 mm, flat cover with cylinder lock and standard Franke key, infrared sensor for non-touch operation, integrated tear-off edge, needs four standard D 1.5V batteries, maintenance-free mechanism and easy paper roll change mechanism, for rolls with max. width 205 mm and max. diameter 200 mm, paper length adjustable to 200, 250 and 300 mm, including stainless steel screws and dowels.</p> <p>290 x 390 x 224 mm (W x H x D)</p> <p>RODX630</p>	<p>2000090071</p>

VIEW TYPE / MODEL ITEM-NUMBER



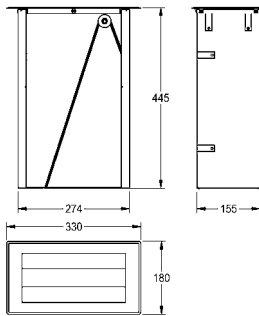
RODAN Paper towel dispenser

for hidden mounting behind wall and mirror, stainless steel, surface satin finished, material thickness 0.8 mm, capacity for 600 C-fold or 800 multifold paper towels, filling from bottom, including stainless steel screws and dowels.

342 x 464 x 113 mm (W x H x D)

RODX600ME

2000090058



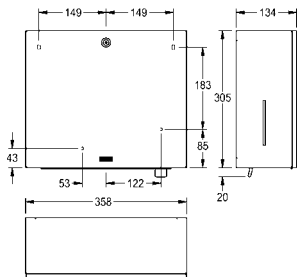
RODAN Paper towel dispenser

for installation from the front or from the top, stainless steel, surface satin finished, material thickness 0.8 mm, capacity for 600 C-fold or 800 multifold paper towels, filling from bottom, including stainless steel screws and dowels.

330 x 445 x 180 mm (W x H x D)

RODX600TT

2000102672



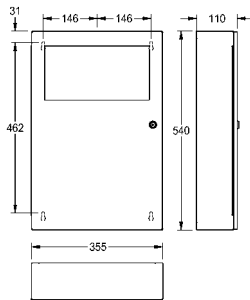
RODAN Paper towel-, soap dispenser combination

for wall mounting, stainless steel, surface satin finished, material thickness 0.8 mm, cylinder lock with Franke standard key, inspection windows on sides, paper towel dispenser with loading capacity 300 - 400 pcs. of paper depending on convolution, suitable for liquid soaps and lotions, 0.8 liter soap tank, pull lever, including stainless steel screws and dowels.

358 x 325 x 134 mm (W x H x D)

RODX601

2000101221



RODAN Waste bin

for wall mounting, stainless steel, surface satin finished, material thickness 0.8 mm, folding self-closing lid, with integrated bag holder, cylinder lock with Franke standard key, including stainless steel screws and dowels.

capacity: approx. 16 liters, 355 x 540 x 110 mm (W x H x D)

RODX604

2000101345

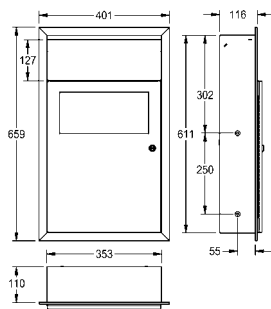
Sanitary Equipment RODAN

VIEW	TYPE / MODEL	ITEM-NUMBER
	<p>RODAN Waste bin</p> <p>for recessed mounting, stainless steel, surface satin finished, material thickness 0.8 mm, folding self-closing lid, with integrated bag holder, cylinder lock with Franke standard key, including stainless steel screws and dowels.</p> <p>capacity: approx. 16 liters, 395 x 580 x 110 mm (W x H x D)</p> <p>RODX604E</p>	2000101347
	<p>RODAN Waste bin</p> <p>for wall mounting, stainless steel, surface satin finished, material thickness 0.8 mm, rounded edges, mounting either with mounting bracket or directly onto the wall, including stainless steel screws and dowels.</p> <p>capacity: approx. 23 liters, 355 x 460 x 168 mm (W x H x D)</p> <p>RODX605</p> <p>capacity: approx. 18 liters, 275 x 460 x 177 mm (W x H x D)</p> <p>RODX605S</p> <p>complementary: bag holder for waste bin RODX605</p> <p>E-RODX605N</p>	2000090061
	<p>RODAN Waste bin</p> <p>for recessed mounting, stainless steel, surface satin finished, material thickness 0.8 mm, rounded edges, cylinder lock with Franke standard key, mounting with in-wall frame, including stainless steel screws and dowels.</p> <p>capacity: approx. 23 liters, 408 x 690 x 169 mm (W x H x D)</p> <p>RODX605E</p> <p>complementary: bag holder for waste bin RODX605E</p> <p>E-RODX605N</p>	2000090062
	<p>RODAN Waste bin</p> <p>for recessed mounting, stainless steel, surface satin finished, material thickness 0.8 mm, rounded edges, cylinder lock with Franke standard key, mounting with in-wall frame, including stainless steel screws and dowels.</p> <p>capacity: approx 23 liters, recessed version, 410 x 690 x 171 mm (W x H x D)</p> <p>RODX605EE</p>	2000101344

VIEW	TYPE / MODEL	ITEM-NUMBER
	<p>RODAN Waste bin</p> <p>for wall mounting, stainless steel, surface satin finished, material thickness 0.8 mm, rounded edges, mounting either with mounting bracket or directly onto the wall, including stainless steel screws and dowels.</p> <p>capacity: approx. 60 liters, 480 x 620 x 210 mm (W x H x D)</p> <p>RODX607</p> <p>complementary: bag holder for waste bin RODX607 for screwing</p> <p>E-RODX607</p>	<p>2000101351</p> <p>2000101350</p>
	<p>RODAN Waste bin</p> <p>for wall mounting, stainless steel, surface satin finished, material thickness 0.8 mm, self-closing lid, folding bag holder, cylinder lock with Franke standard key, approximately 30 liter capacity, including stainless steel screws and dowels.</p> <p>capacity: approx. 30 liters, 280 x 610 x 210 mm (W x H x D)</p> <p>RODX605SL</p>	<p>2000103806</p>
	<p>RODAN Folding self-closing lid for waste bin RODX607</p> <p>stainless steel, surface satin finished, material thickness 0.8 mm, cylinder lock with Franke standard key, without waste bin.</p> <p>480 x 186 x 210 mm (W x H x D)</p> <p>RODX608</p>	<p>2000101357</p>
	<p>RODAN Sanitary towel and disposal bin</p> <p>for wall mounting, stainless steel, surface satin finished, material thickness 0.8 mm, approximately 6 liter capacity, with integrated bag holder, self-closing lid, with integrated storage for paper hygiene bags, can be combined with RODX191 hygiene bag dispenser for plastic bags, cylinder lock with Franke standard key, including stainless steel screws and dowels.</p> <p>350 x 469 x 130 mm (W x H x D)</p> <p>RODX612</p>	<p>2000101358</p>

Sanitary Equipment RODAN

VIEW TYPE / MODEL ITEM-NUMBER



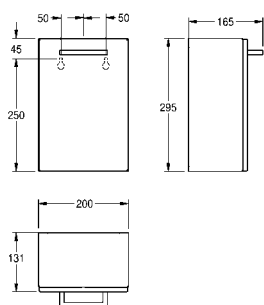
RODAN Sanitary towel and disposal bin

for recessed mounting, stainless steel, surface satin finished, material thickness 0.8 mm, approximately 6 liter capacity, with integrated bag holder, self-closing lid, with integrated storage for paper hygiene bags, can be combined with RODX191 hygiene bag dispenser for plastic bags, cylinder lock with Franke standard key, including stainless steel screws and dowels.

401 x 659 x 130 mm (W x H x D)

RODX612E

2000101359



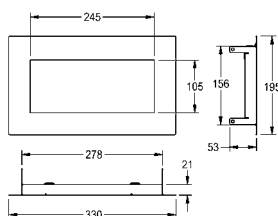
RODAN Sanitary towel and disposal bin

for wall mounting, stainless steel, surface satin finished, material thickness 0.8 mm, flat front cover, approximately 3.7 litre capacity, removable plastic container inside, including stainless steel screws and dowels.

200 x 295 x 165 mm (W x H x D)

RODX611

2000090063



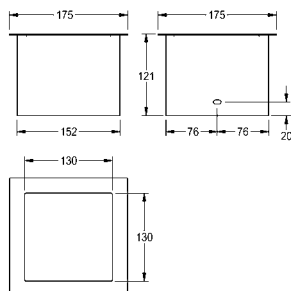
RODAN Waste disposal flap

for table top installation, stainless steel, visible surfaces satin finished, material thickness 0.8 mm, self-closing disposal flap, without waste container.

330 x 53 x 195 mm (W x H x D)

RODX605TT

2000101211



RODAN Waste chute

for table top installation, stainless steel, visible surfaces satin finished, material thickness 0.8 mm, without waste container.

175 x 121 x 175 mm (W x H x D)

RODX607TT

2000101212

Waste bin made of stainless steel, wire thickness 2 mm capacity: approx. 31 litres, 350x505x252 mm (W x H x D)

CHRX608

2000057138

capacity: approx. 61 litres, 440 x 628 x 315 mm (W x H x D)

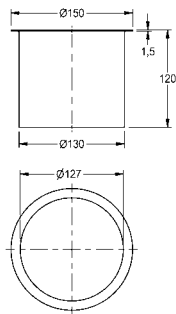
CHRX607

2000057137



CHRX608
CHRX607

VIEW TYPE / MODEL ITEM-NUMBER



Waste disposal barrel

for table top mounting, stainless steel, visible surfaces satin finished, with raised edge, opening with 127 mm inner diameter, without waste container.

150 x 120 mm (W x H)

E-BS602E

2000101106

Waste bin made of stainless steel, wire thickness 2 mm
capacity: approx. 31 litres, 350x505x252 mm (W x H x D)

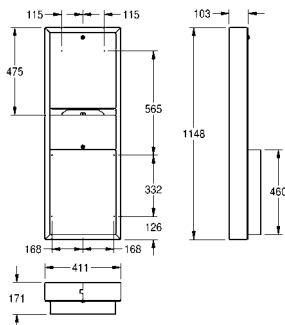
CHR608

2000057138

capacity: approx. 61 litres, 440 x 628 x 315 mm (W x H x D)

CHR607

2000057137



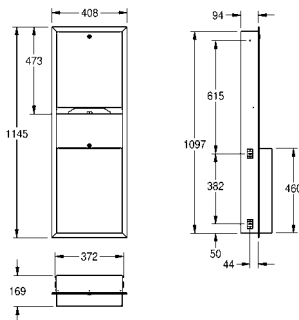
RODAN Paper towel dispenser and waste bin combination

for wall mounting, stainless steel, surface satin finished, material thickness 0.8 mm, flat front cover, cylinder lock with Franke standard key, loading capacity 500 - 800 paper towels depending on brand and folding, waste bin with approximately 23 litre capacity, including stainless steel screws and dowels.

411 x 1148 x 171 mm (W x H x D)

RODX602

2000090059



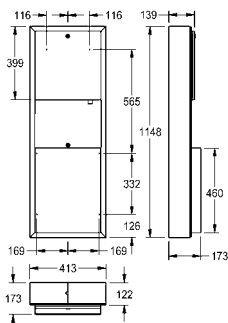
RODAN Paper towel dispenser and waste bin combination

for recessed mounting, stainless steel, surface satin finished, material thickness 0.8 mm, flat front cover, cylinder lock with Franke standard key, loading capacity 500 - 800 paper towels depending on brand and folding, waste bin with approximately 23 litre capacity, including stainless steel screws and dowels.

408 x 1145 x 169 mm (W x H x D)

RODX602E

2000090060



RODAN Waste bin, paper towel-, soap dispenser combination

for wall mounting, stainless steel, surface satin finished, material thickness 0.8 mm, cylinder lock with Franke standard key, paper towel dispenser with loading capacity 300 - 400 pcs. of paper depending on convolution, suitable for liquid soaps and lotions, 0.8 liter soap tank, push lever, waste bin with approximately 23 liter capacity, including stainless steel screws and dowels.

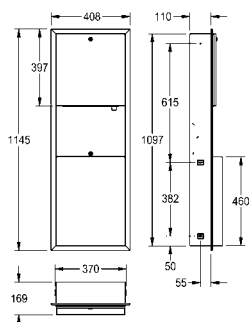
413 x 1148 x 173 mm (W x H x D)

RODX617

2000101219

Sanitary Equipment RODAN

VIEW TYPE / MODEL ITEM-NUMBER



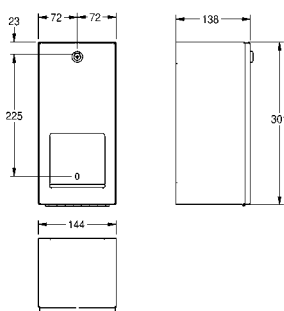
RODAN Waste bin, paper towel-, soap dispenser combination

for recessed mounting, stainless steel, surface satin finished, material thickness 0.8 mm, cylinder lock with Franke standard key, paper towel dispenser with loading capacity 300 - 400 pcs. of paper depending on convolution, suitable for liquid soaps and lotions, 0.8 liter soap tank, push lever, waste bin with approximately 23 liter capacity, including stainless steel screws and dowels.

408 x 1145 x 169 mm (W x H x D)

RODX617E

2000101220



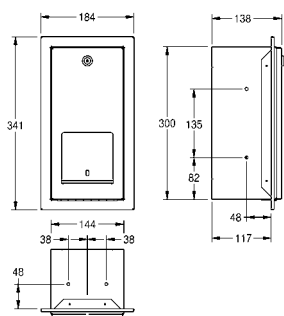
RODAN Double toilet roll holder with spindle system

for wall mounting, stainless steel, surface satin finished, material thickness 0.8 mm, flat front cover, cylinder lock with Franke standard key, for 2 rolls with max. Ø 120 mm, second roll will be released after consumption of first roll, reserve roll not visible, including stainless steel screws and dowels.

144 x 301 x 138 mm (W x H x D)

RODX672

2000090072



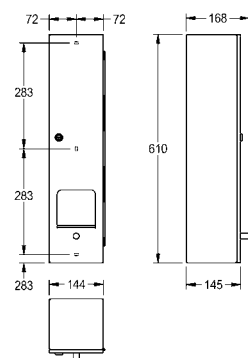
RODAN Double toilet roll holder with spindle system

for recessed mounting, stainless steel, surface satin finished, material thickness 0.8 mm, flat front cover, cylinder lock with Franke standard key, for 2 rolls with max. Ø 120 mm, second roll will be released after consumption of first roll, reserve roll not visible, including stainless steel screws and dowels.

184 x 341 x 138 mm (W x H x D)

RODX672E

2000090073



RODAN Toilet roll holder for 4 rolls

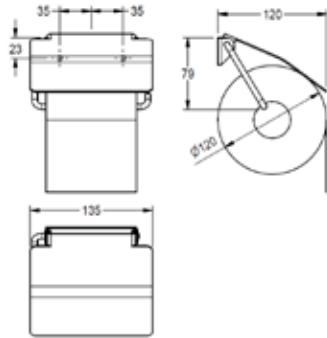
for wall mounting, stainless steel, surface satin finished, material thickness 0.8 mm, with spindle system, cylinder lock with Franke standard key, including stainless steel screws and dowels.

144 x 610 x 168 mm (W x H x D)

RODX674B

2030002104

VIEW TYPE / MODEL ITEM-NUMBER



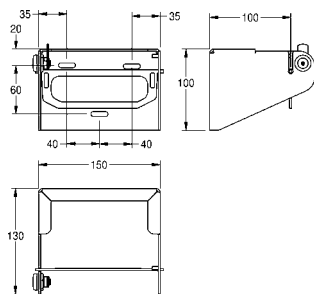
RODAN Toilet roll holder

for wall mounting, stainless steel, surface satin finished, material thickness 0.8 mm, folding cover, for 1 roll with max. Ø 130 mm, incl. stainless steel screws and dowels.

135 x 130 x 25 mm (W x H x D)

RODX678

2030013026



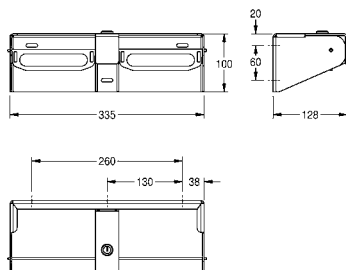
Toilet roll holder

for wall mounting, stainless steel, surface satin finished, material thickness 3 mm, cylinder lock with Franke standard key, for 1 roll with max. Ø 140 mm, thief protected spindle, controlled paper consumption due to spindle stop mechanism, including stainless steel screws and dowels.

150 x 100 x 130 mm (W x H x D)

CHRX675

2000057143



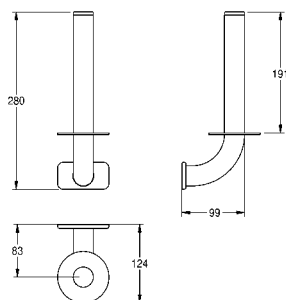
Double toilet roll holder

for wall mounting, stainless steel, surface satin finished, material thickness 3 mm, cylinder lock with Franke standard key, for 2 rolls with max. Ø 140 mm, thief protected spindles, controlled paper consumption due to spindle stop mechanism, including stainless steel screws and dowels.

335 x 100 x 128 mm (W x H x D)

CHRX676

2000057145



Spare roll holder

for wall mounting, stainless steel, surface satin finished, material thickness 1.2 mm, 32 mm pipe diameter, for 2 rolls, plate for hidden mounting with stainless steel cover, including stainless steel screws and dowels.

81 x 280 x 124 mm (W x H x D)

CHRX679

2000057146

Sanitary Equipment RODAN

VIEW	TYPE / MODEL	ITEM-NUMBER
	<p>Jumbo roll holder</p> <p>for wall mounting, stainless steel, surface satin finished, material thickness 0.9 mm, closed round casing with inspection window, paper withdrawal over two tear-off edges, locked with hexagonal allen screw, for 1 roll with max. Ø 350 mm, incl. stainless steel screws, dowels and hexagonal allen key.</p> <p>369 x 369 x 108 mm (W x H x D)</p> <p>CHR670</p>	2000057141
	<p>Execution for jumbo roll with max. Ø 260 mm, material thickness 0,8 mm, cylinder lock with Franke standard key.</p> <p>269 x 269 x 116 mm (W x H x D)</p> <p>CHR669</p>	2000060983

	<p>RODAN Hygiene bag dispenser</p> <p>for wall mounting, stainless steel, surface satin finished, material thickness 0.8 mm, edges not welded, inboard lug to hold package, withdrawal from front, incl. premounted double side self-adhesive tape and stainless steel screws and dowels, incl. cleaning rag to clean bonding surface.</p> <p>91 x 150 x 21 mm (W x H x D)</p> <p>RODX191</p>	2000101218
--	---	------------

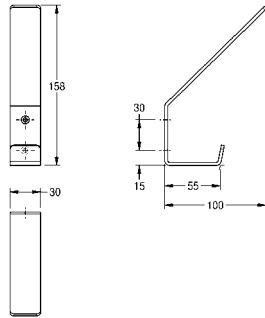
	<p>RODAN Toilet brush holder</p> <p>for wall mounting, stainless steel, surface satin finished, material thickness 0.8 mm, folded front, closed cover to the front, lasered opening for brush, white nylon brush with flushing rim cleaner, withdrawal opening either left or right, depending on mounting, removable plastic drip tray, including stainless steel screws and dowels.</p> <p>107 x 230 x 97 mm (W x H x D)</p> <p>RODX687</p>	200010000
	<p>WC-brush for WC-brush holders, white plastic</p> <p>E-BS686</p>	2000100019

	<p>Toilet brush holder</p> <p>for wall mounting, stainless steel, surface satin finished, material thickness 0.9 mm, white nylon brush with flushing rim cleaner, integrated drip tray, brush has to be hooked in, including stainless steel screws and dowels.</p> <p>135 x 235 x 135 mm (W x H x D)</p> <p>BS686</p>	2000057078
	<p>WC-brush for WC-brush holders, white plastic</p> <p>E-BS686</p>	2000100019

VIEW

TYPE / MODEL

ITEM-NUMBER



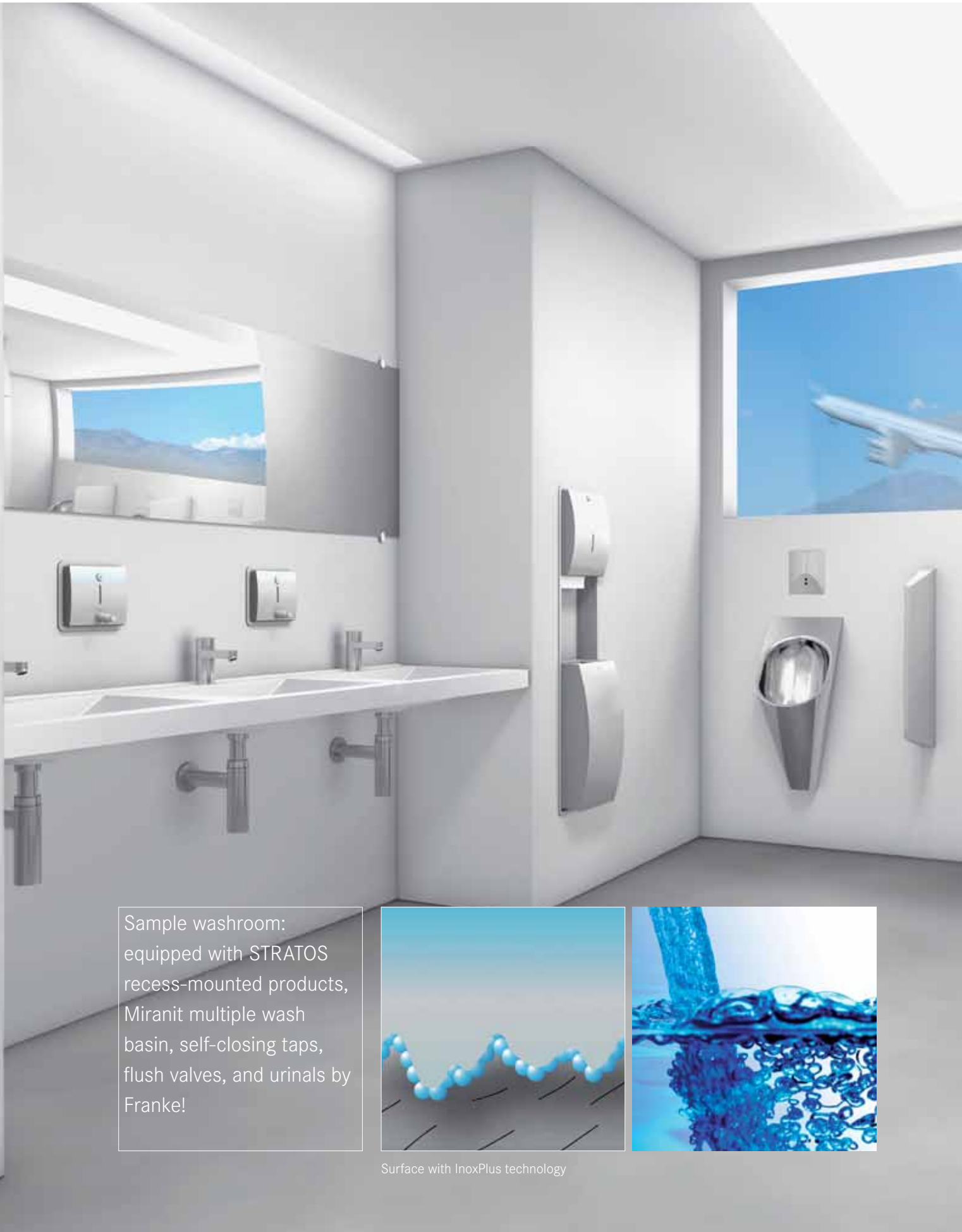
Double cloth hook

for wall mounting, stainless steel, surface satin finished, two drilled holes for fixation, including stainless steel screws and dowels.

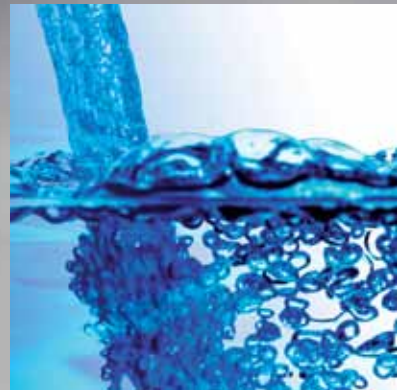
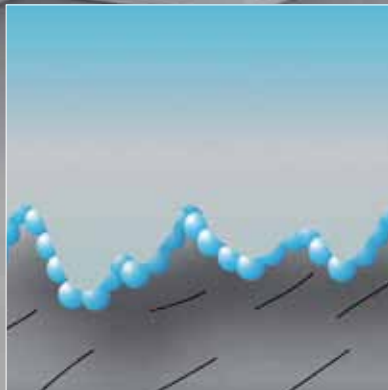
30 x 158 x 100 mm (W x H x D)

CHRX690

2000057150



Sample washroom:
equipped with STRATOS
recess-mounted products,
Miranit multiple wash
basin, self-closing taps,
flush valves, and urinals by
Franke!



Surface with InoxPlus technology

30 PRODUCTS

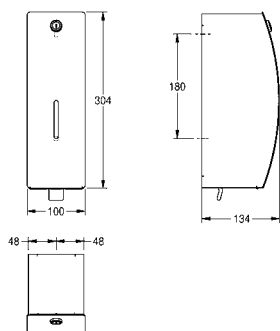
... make up the well-known STRATOS. The front surfaces of these products are being refined with the proven InoxPlus technology. In this process, nanoparticles interlock with the molecules of the metal surface and nestle closely against microscopic imperfections. The resulting tight structure makes fingerprints almost invisible. The washroom stays clean longer, and cleaning is significantly easier.

YOU CAN RELY ON PROVEN DESIGN

The InoxPlus surface refinement was first used in mass production in 2004 with the high-end Franke XINOX line. In recent years, the technology has proven its value and enjoys great popularity in hotels, administration buildings and even sports arenas worldwide.

1 surface-refinement process yields convenient cleaning
1.5 mm durable stainless steel front
1,250,000 tested soap pump operations without loss of function

VIEW TYPE / MODEL ITEM-NUMBER



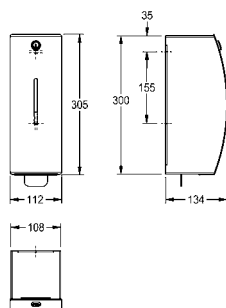
STRATOS Soap dispenser

for wall mounting, stainless steel, surface satin finished, front with InoxPlus surface refinement for the reduction of finger marks and better cleaning characteristics (easy to clean), material thickness 1.5 mm, curved front cover, cylinder lock with Franke standard key, inspection window on front, suitable for liquid soaps and lotions, 0.8 liter soap tank, with plastic pull lever, including stainless steel screws and dowels.

100 x 304 x 134 mm (W x H x D)

STRX618

2000057379



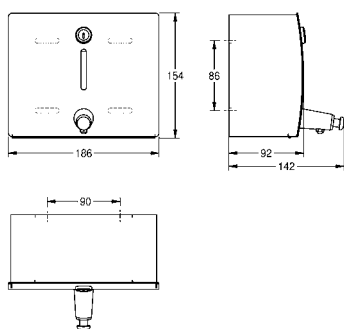
STRATOS Foam soap dispenser

for wall mounting, stainless steel, surface satin finished, front with InoxPlus surface refinement for the reduction of finger marks and better cleaning characteristics (easy to clean), material thickness 1.5 mm, curved front cover, cylinder lock with Franke standard key, inspection window on front, suitable for Franke foam soap, one bottle 650 ml foam soap included in first delivery, stainless steel pull lever, including stainless steel screws and dowels.

112 x 305 x 134 mm (W x H x D)

STRX616

2000100001



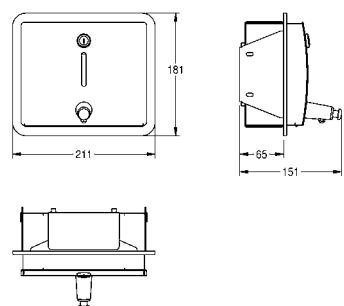
STRATOS Soap dispenser

for wall mounting, stainless steel, surface satin finished, front with InoxPlus surface refinement for the reduction of finger marks and better cleaning characteristics (easy to clean), material thickness 1.5 mm, curved front cover, cylinder lock with Franke standard key, inspection window on front, suitable for liquid soaps and lotions, 1 liter soap tank, push button on front, including stainless steel screws and dowels.

186 x 154 x 92 mm (W x H x D)

STRX619

2000057382



STRATOS Soap dispenser

for recessed mounting, stainless steel, surface satin finished, front with InoxPlus surface refinement for the reduction of finger marks and better cleaning characteristics (easy to clean), material thickness 1.5 mm, curved front cover with inspection window, cylinder lock with Franke standard key, suitable for liquid soaps and lotions, 1 liter soap tank, push button on front, including stainless steel screws and dowels.

211 x 181 x 101 mm (W x H x D)

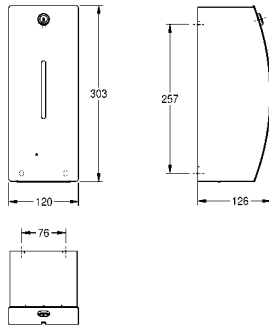
STRX619E

2000057385

VIEW

TYPE / MODEL

ITEM-NUMBER



STRATOS Touch-free soap dispenser

for wall mounting, stainless steel, surface satin finished, front with InoxPlus surface refinement for the reduction of finger marks and better cleaning characteristics (easy to clean), material thickness 1.5 mm, curved front cover, cylinder lock with Franke standard key, inspection window on front, infrared sensor activity for non-touch operation, red light shows battery status, incl. 6 pcs. 1.5 V Alkaline AA batteries, suitable for liquid soaps and lotions, 0.8 liter soap tank, depending on soap between 0.6 and 1.1 ml is dispensed, mounting height >300 mm above wash basin or table top, including stainless steel screws and dowels.

120 x 303 x 126 mm (W x H x D)

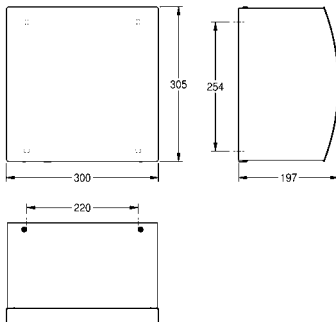
STRX625

2000057388

Complementary: Dispensing tube for the use with alcohol based disinfection soap.

EACCS057

2000103334



STRATOS Touch free electronic warm air hand dryer

for wall mounting, stainless steel, surface satin finished, front with InoxPlus surface refinement for the reduction of finger marks and better cleaning characteristics (easy to clean), material thickness 1.5 mm, curved front cover, Infrared sensor activity for non-touch operation, sensor range adjustable from 5 to 33 cm, automatic power shut-off after 60 seconds, due to the extreme high, adjustable air velocity the drying time is shortened strongly, cable and plug not included.

300 x 305 x 197 mm (W x H x D)

Connection voltage: 230 V, 50 Hz

Total power: 1500 W

Heater: 800 W

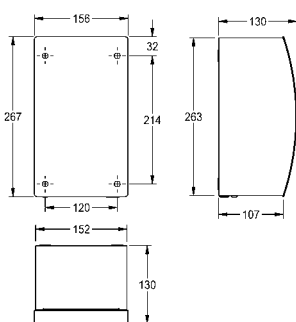
Motor: 700 W

Air volume: 120 m³/h

Air velocity: 75-110 m/s

STRX210

2000057203



STRATOS Touch free electronic warm air hand dryer

for wall mounting, stainless steel, surface satin finished, front with InoxPlus surface refinement for the reduction of finger marks and better cleaning characteristics (easy to clean), material thickness 1.5 mm, curved front cover, infra-red sensor activity for non-touch operation, adjustable warm air temperature, sensor range adjustable from 10 to 25 cm, automatic power shut-off after 60 seconds, adjustable air velocity allows to shorten the drying time considerably, cable and plug not included.

156 x 267 x 130 mm (W x H x D)

Connection voltage: 230-240 V, 50-60 Hz

Total power: 500 W

Heater: 1000 W

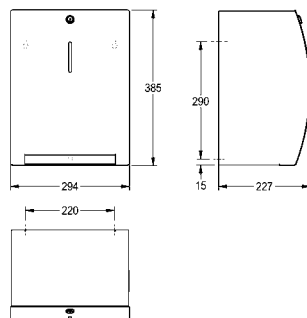
Motor: 500 W

Air volume: 80 m³/h

Air velocity: 95-115 m/s

STRX220

2030027296



STRATOS Manuel touch free paper towel dispenser

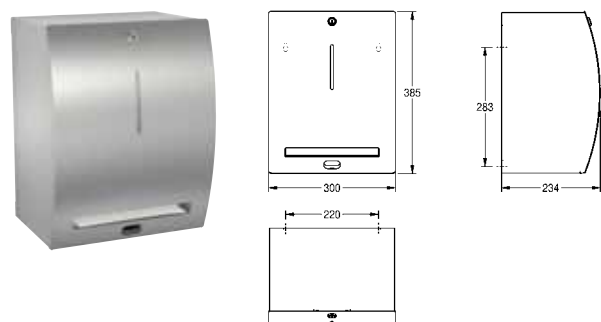
for wall mounting, stainless steel, surface satin finished, front with InoxPlus surface refinement for the reduction of finger marks and better cleaning characteristics (easy to clean), material thickness 1.5 mm, curved front with inspection window, cylinder lock with Franke standard key, capacity 1 paper roll, paper comes automatically out to pull with hand, maintenance free mechanic, electrical connection or batteries are not required, easypaper roll change mechanism, for rolls with max. width 205 mm and max. diameter 200 mm, paper length is not adjustable - one length 260 mm, including stainless steel screws and dowels.

294 x 385 x 227 mm (W x H x D)

STRX637

2000110533

VIEW TYPE / MODEL ITEM-NUMBER



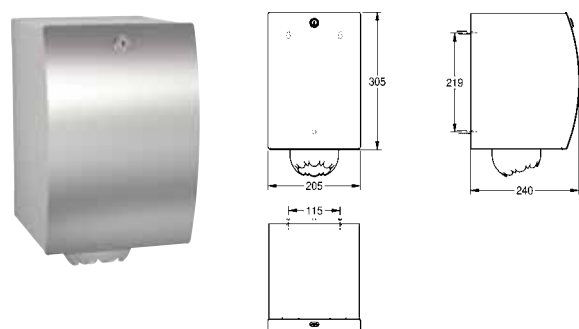
STRATOS Touch free paper towel dispenser

for wall mounting, stainless steel, surface satin finished, front with InoxPlus surface refinement for the reduction of finger marks and better cleaning characteristics (easy to clean), material thickness 1.5 mm, curved front cover, cylinder lock with Franke standard key, infrared sensor activity for non-touch operation, integrated tear-off edge, incl. 4 pcs. standard D 1.5 V batteries, maintenance free mechanic and easy paper roll change mechanism, for rolls with max. width 205 mm and max. diameter 200 mm, paper length adjustable to 200, 250 and 300 mm, including stainless steel screws and dowels.

300 x 385 x 234 mm (W x H x D)

STRX630

2000057390



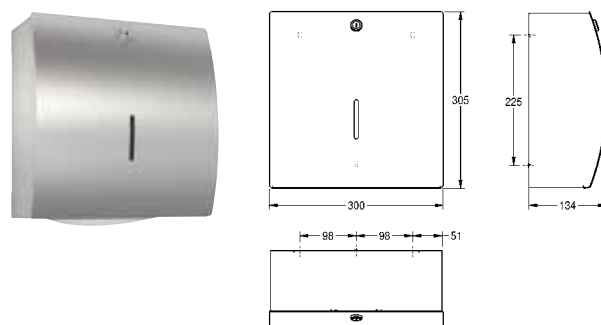
STRATOS Centerfeed paper roll box

for wall mounting, stainless steel, surface satin finished, front with InoxPlus surface refinement for the reduction of finger marks and better cleaning characteristics (easy to clean), material thickness 1.5 mm, curved front cover, cylinder lock with Franke standard key, for paper rolls with max. Ø 190 mm and max. height of 250 mm, only for centerfeed paper rolls, integrated tear-off edge and strain relief avoiding paper tear-off within casing, including stainless steel screws and dowels.

205 x 325 x 240 mm (W x H x D)

STRX635B

2030025051



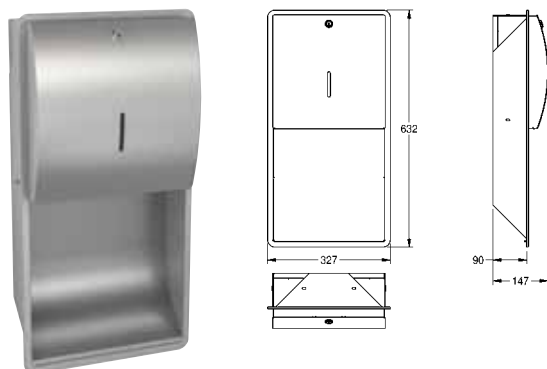
STRATOS Paper towel dispense

for wall mounting, stainless steel, surface satin finished, front with InoxPlus surface refinement for the reduction of finger marks and better cleaning characteristics (easy to clean), material thickness 1.5 mm, curved front cover, cylinder lock with Franke standard key, inspection window on front, loading capacity 300 - 400 pcs. of paper depending on convolution, including stainless steel screws and dowels.

300 x 305 x 134 mm (W x H x D)

STRX600

2000057205



STRATOS Paper towel dispenser

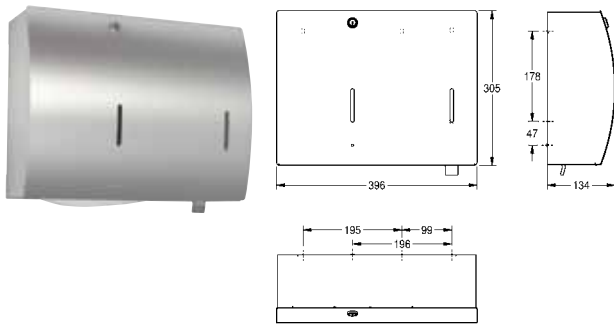
for recessed mounting, stainless steel, surface satin finished, front with InoxPlus surface refinement for the reduction of finger marks and better cleaning characteristics (easy to clean), material thickness 1.5 mm, curved front cover, cylinder lock with Franke standard key, inspection window on front, loading capacity 300 - 400 pcs. of paper depending on convolution, including stainless steel screws and dowels.

327 x 632 x 147 mm (W x H x D)

STRX600E

2000057207

VIEW TYPE / MODEL ITEM-NUMBER



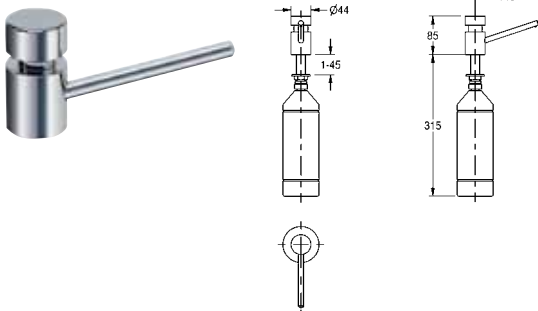
STRATOS Paper towel-, soap dispenser combination

for wall mounting, stainless steel, surface satin finished, front with InoxPlus surface refinement for the reduction of finger marks and better cleaning characteristics (easy to clean), material thickness 1.5 mm, curved front cover, cylinder lock with Franke standard key, inspection windows on front, paper towel dispenser with loading capacity 300 - 400 pcs. of paper depending on convolution, suitable for liquid soaps and lotions, 0.8 liter soap tank, push lever, including stainless steel screws and dowels.

396 x 305 x 134 mm (W x H x D)

STRX601

2000057209



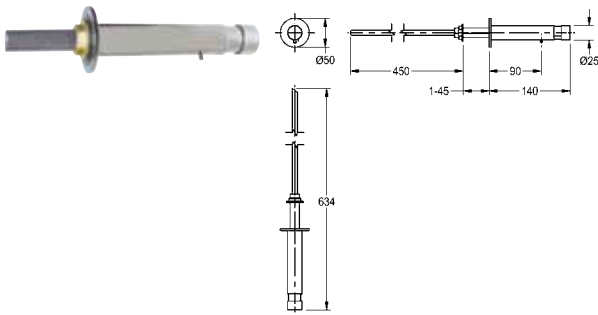
Soap dispenser

for table top mounting into worktops, with max. 45 mm thickness, high polished chromated brass, requires 22 mm drilling hole, 1/2" thread, spout not movable, spout length 140 mm, suitable for liquid soaps and lotions, 1 liter soap tank with membrane for pressure balance, filled from above.

44 x 85 x 162 mm (W x H x D)

SD80

2000056721



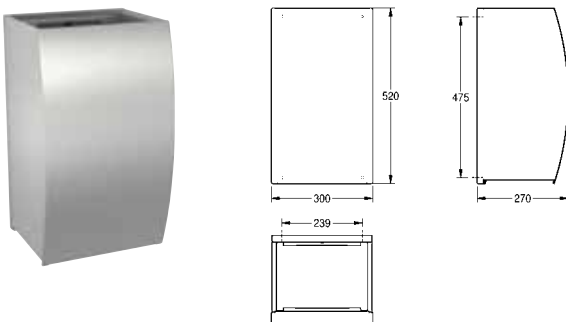
Soap dispenser

for wall mounting and re-filling from serviceroom behind the wall, high polished chromated brass, requires 18 mm drilling hole, 3/8" thread, spout not movable, suitable for liquid soaps and lotions, without soap tank (can be directly connected to soap can), for filling from behind the wall.

50 x 50 x 140 mm (W x H x D)

SD110

2000102699



STRATOS Waste bin

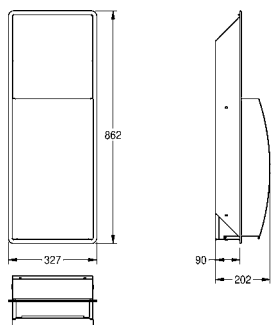
for wall mounting, stainless steel, surface satin finished, front with InoxPlus surface refinement for the reduction of finger marks and better cleaning characteristics (easy to clean), material thickness 1.5 mm, curved front cover, cylinder lock with Franke standard key, approximately 34 liter capacity, integrated bag holder, including stainless steel screws and dowels.

300 x 520 x 270 mm (W x H x D)

STRX605

2000057228

VIEW TYPE / MODEL ITEM-NUMBER



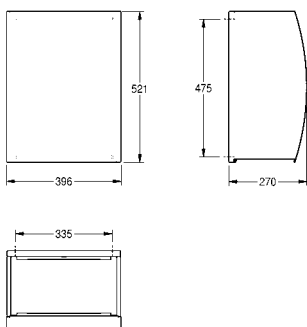
STRATOS Waste bin

for recessed mounting, stainless steel, surface satin finished, front with InoxPlus surface refinement for the reduction of finger marks and better cleaning characteristics (easy to clean), material thickness 1.5 mm, curved front cover, cylinder lock with Franke standard key, approximately 22 liter capacity, integrated bag holder, including stainless steel screws and dowels.

327 x 862 x 202 mm (W x H x D)

STRX605E

2000057229



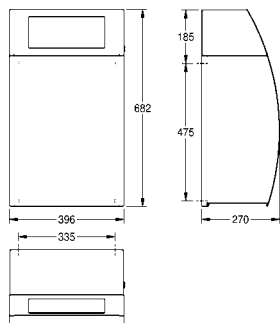
STRATOS Waste bin

for wall mounting, stainless steel, surface satin finished, front with InoxPlus surface refinement for the reduction of finger marks and better cleaning characteristics (easy to clean), material thickness 1.5 mm, curved front cover, cylinder lock with Franke standard key, approximately 45 liter capacity, integrated bag holder, including stainless steel screws and dowels.

396 x 521 x 270 mm (W x H x D)

STRX607

2000057230



STRATOS Folding self-closing lid for waste bin STRX607

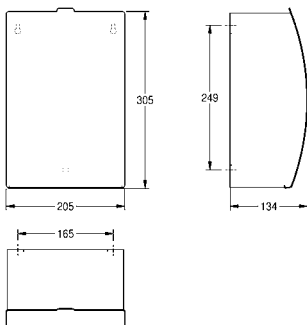
stainless steel, surface satin finished, front with InoxPlus surface refinement for the reduction of finger marks and better cleaning characteristics (easy to clean), material thickness 1.5 mm, inclined front with self-closing lid, cylinder lock with Franke standard key, including stainless steel screws and dowels, without waste bin.

396 x 183 x 229 mm (W x H x D)

STRX608

2000057231

Figure and drawing with waste bin STRX607



STRATOS Sanitary towel and disposal bin

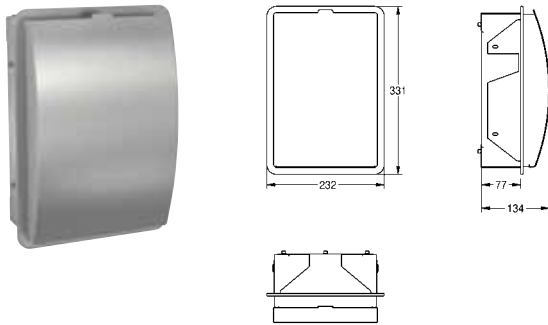
for wall mounting, stainless steel, surface satin finished, front with InoxPlus surface refinement for the reduction of finger marks and better cleaning characteristics (easy to clean), material thickness 1.5 mm, curved front cover, approximately 3.8 liter capacity, folding self-closing lid with piano hinge, removable plastic container inside, including stainless steel screws and dowels.

205 x 305 x 134 mm (W x H x D)

STRX611

2000057375

VIEW TYPE / MODEL ITEM-NUMBER



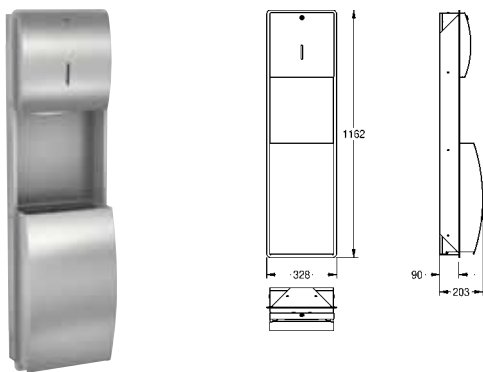
STRATOS Sanitary towel and disposal bin

for recessed mounting, stainless steel, surface satin finished, front with InoxPlus surface refinement for the reduction of finger marks and better cleaning characteristics (easy to clean), material thickness 1.5 mm, curved front cover, approximately 3.8 liter capacity, folding self-closing lid with piano hinge, removable plastic container inside, including stainless steel screws and dowels.

232 x 331 x 134 mm (W x H x D)

STRX611E

2000057376



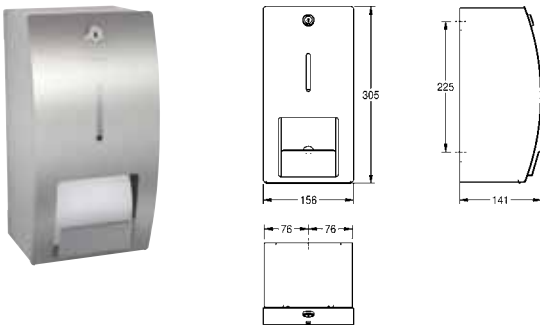
STRATOS Paper towel dispenser, waste bin combination

for recessed mounting, stainless steel, surface satin finished, front with InoxPlus surface refinement for the reduction of finger marks and better cleaning characteristics (easy to clean), material thickness 1.5 mm, curved front cover, cylinder lock with Franke standard key, inspection windows on front, loading capacity 300 - 400 pcs. of paper depending on convolution, waste bin with approximately 22 liter capacity, integrated bag holder, including stainless steel screws and dowels.

328 x 1162 x 203 mm (W x H x D)

STRX602E

2000057227



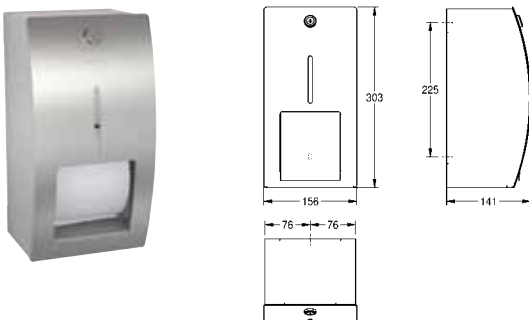
STRATOS Double toilet roll holder without spindle system

for wall mounting, stainless steel, surface satin finished, front with InoxPlus surface refinement for the reduction of finger marks and better cleaning characteristics (easy to clean), material thickness 1.5 mm, curved front cover, cylinder lock with Franke standard key, for 2 rolls with max. Ø 120 mm, second roll will be released after consumption of first roll, including stainless steel screws and dowels.

156 x 305 x 141 mm (W x H x D)

STRX671

2000057395



STRATOS Double toilet roll holder with spindle system

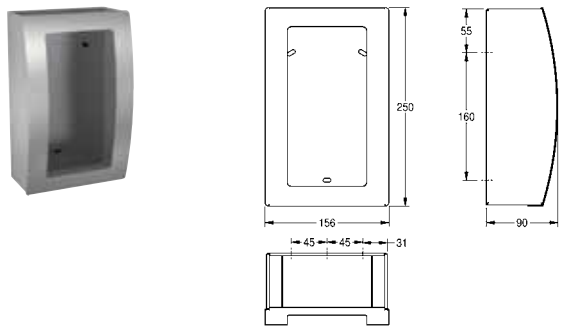
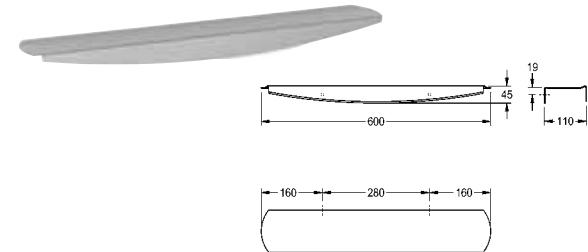
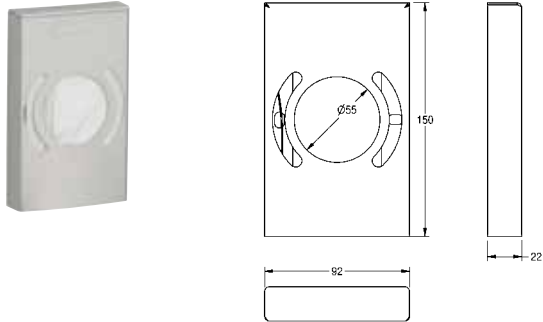
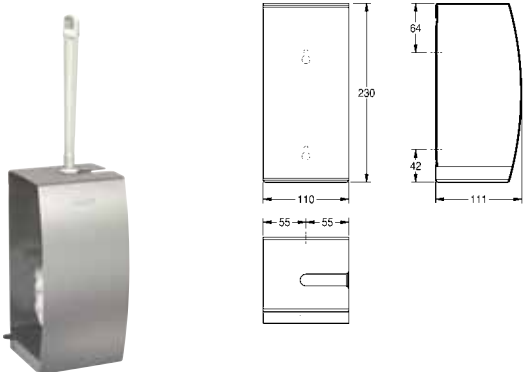
for wall mounting, stainless steel, surface satin finished, front with InoxPlus surface refinement for the reduction of finger marks and better cleaning characteristics (easy to clean), material thickness 1.5 mm, curved front cover with inspection window, cylinder lock with Franke standard key, for 2 rolls with max. Ø 120 mm, second roll will be released after consumption of first roll, with spindles, reserve roll not visible, including stainless steel screws and dowels.

156 x 303 x 141 mm (W x H x D)

STRX672

2000057399

VIEW	TYPE / MODEL	ITEM-NUMBER
	<p>STRATOS Double toilet roll holder with spindle system</p> <p>for recessed mounting, stainless steel, surface satin finished, front with InoxPlus surface refinement for the reduction of finger marks and better cleaning characteristics (easy to clean), material thickness 1.5 mm, curved front cover with inspection window, cylinder lock with Franke standard key, for 2 rolls with max. Ø 120 mm, second roll will be released after consumption of first roll, reserve roll not visible, incl. stainless steel screws and dowels.</p> <p>183 x 331 x 142 mm (W x H x D)</p> <p>STRX672E</p>	<p>2000057400</p>
	<p>Toilet roll holder</p> <p>for wall mounting, stainless steel, surface satin finished, material thickness 0.8 mm, folding cover, for 1 roll with max. Ø 130 mm, incl. stainless steel screws and dowels.</p> <p>145 x 130 x 25 mm (W x H x D)</p> <p>BS677</p>	<p>2000057045</p>
	<p>STRATOS toilet roll holder</p> <p>for recessed mounting, stainless steel, surface satin finished, material thickness 0.8 mm, curved folding cover, for 1 roll with max. width 130 mm, incl. stainless steel screws and dowels.</p> <p>153 x 153 x 129 mm (W x H x D)</p> <p>STRX673E</p>	<p>2000057422</p>
	<p>STRATOS Jumbo roll holder</p> <p>for wall mounting, stainless steel, surface satin finished, front with InoxPlus surface refinement for the reduction of finger marks and better cleaning characteristics (easy to clean), material thickness 1.5 mm, closed casing with curved front, paper withdrawal over two tear-off edges, cylinder lock with Franke standard key, for 1 roll with max. Ø 295 mm, including stainless steel screws and dowels.</p> <p>304 x 355 x 170 mm (W x H x D)</p> <p>STRX670</p>	<p>2000057394</p>

VIEW	TYPE / MODEL	ITEM-NUMBER
	<p>STRATOS Hygiene bag dispense</p> <p>for wall mounting, stainless steel, surface satin finished, with InoxPlus surface refinement for the reduction of finger marks and better cleaning characteristics (easy to clean), material thickness 1.2/1.5 mm, with inspection window, incl. stainless steel screws and dowels.</p> <p>156 x 250 x 90 mm (W x H x D)</p>	<p>2000100014</p>
	<p>STRATOS Shelf</p> <p>for wall mounting, stainless steel, surface satin finished, front with InoxPlus surface refinement for the reduction of finger marks and better cleaning characteristics (easy to clean), material thickness 2 mm, rounded edges, protection edge at front, including stainless steel screws and dowels.</p> <p>600 x 45 x 110 mm (W x H x D)</p>	<p>2000102701</p>
	<p>Hygiene bag dispenser</p> <p>for wall mounting, stainless steel, surface satin finished with InoxPlus surface refinement for the reduction of finger marks and better cleaning characteristics (easy to clean), material thickness 1.2 mm, edges not welded, inboard lug to hold package, withdrawal from front, incl. premounted double side self-adhesive tap and stainless steel screws and dowels, incl. acetone rag to clean bonding surface.</p> <p>92 x 150 x 22 mm (W x H x D)</p>	<p>2000057080</p>
	<p>STRATOS Toilet brush holder</p> <p>stainless steel, surface satin finished, front with InoxPlus surface refinement for the reduction of finger marks and better cleaning characteristics (easy to clean), material thickness 1.5 mm, curved front cover, white nylon brush with flushing rim cleaner, withdrawal opening either left or right, depending on mounting, removable plastic drop tray, including stainless steel screws and dowels.</p> <p>110 x 230 x 111 mm (W x H x D)</p>	<p>2000057403</p>
	<p>STRX687</p> <p>WC-brush for WC-brush holders, stainless steel, brush head black plastic</p>	<p>2000100020</p>
	<p>E-STRX687</p> <p>WC-brush for WC-brush holders, white plastic</p> <p>E-BS686</p>	<p>2000100019</p>

VIEW	TYPE / MODEL	ITEM-NUMBER
	<p>STRATOS Toilet seat paper dispenser</p> <p>for wall mounting, stainless steel, surface satin finished, front with InoxPlus surface refinement for the reduction of finger marks and better cleaning characteristics (easy to clean), material thickness 1.5 mm, curved front cover with oval aperture, cylinder lock with Franke standard key, for Franke seat paper or others, including stainless steel screws and dowels.</p> <p>393 x 263 x 54 mm (W x H x D)</p> <p>STRX680</p>	<p>2000057401</p>

	<p>STRATOS Cloth hook</p> <p>for wall mounting, stainless steel, surface satin finished, 18 mm pipe diameter, drilled hole on bottom for fixation, incl. stainless steel screws and dowels.</p> <p>18 x 38 x 60 mm (W x H x D)</p> <p>STRX692</p>	<p>2000057979</p>
--	---	-------------------

	<p>STRATOS Double hook</p> <p>for wall mounting, stainless steel, surface satin finished, 18 mm pipe diameter, drilled hole on bottom for fixation, incl. stainless steel screws and dowels.</p> <p>69 x 18 x 60 mm (W x H x D)</p> <p>STRX694</p>	<p>2000057985</p>
--	--	-------------------

CONSUMABLES

VIEW	TYPE / MODEL	ITEM-NUMBER
	Organic liquid soap, 1 litre bottle (minimum order quantity 6 bottles) SO1L	2000057162
	Liquid soap organic, 10 litre canister SO10L	2000057168
	Foam soap cartridge, 650 ml (minimum order quantity 9 bottles) E-XINX616FOAM	2000100946
	Z-folded paper towels, 255 x 92 mm, 168 pcs per pack, 20 packs per box (minimum order quantity 1 box) FH68	2000100015
	Hygiene bags, 30 pcs./package HBD191B	2000100016
	Hygiene bag (paper), 100 pc./box HB140	2000100017

Make
it
Wonderful

Franke Water Systems

ws-info.int@franke.com
www.franke.com

FRANKE