



**KWC**

KWC Professional

Sales Catalogue  
2023



# Content

Washbasin taps	14
Stainless steel washbasins	62
Mineral granite washbasins	84
Sanitary facilities for the healthcare sector	110
Installation elements for washbasins	134
Shower taps	138
AQUA 3000 open	204
Flush valves	216
Urinals and WCs	228
Installation elements for flushing systems	236
Accessories	242
Hotel and residential accessories	296
Hand and hair dryers	308
Accessible washroom equipment	314
High-security range	324
Cleaning basins	340
Commercial sinks made of stainless steel	366
Emergency showers	376
Accessories and functional parts	388
General information	400





# KWC Professional

## The ultimate choice

KWC Professional, as part of the KWC Group, concentrates on intelligent fixtures and taps for sanitary facilities in (semi-)public and commercial facilities. For our customers, we design what was once impossible and then implement it in practice in an innovative manner. Working together, we develop aesthetically attractive and complete washroom solutions.



**The KWC Group is an international premium manufacturer of taps and comprehensive sanitary solutions.**

In 2022, the previous brands belonging to the corporate Group, which are KWC, Franke Water Systems, DEKO and DVS, began operating under the name KWC Group Ltd. The Group manufactures high-quality products for domestic consumers, (semi-)public institutions and the medical sector at six locations throughout Europe and Asia.

We focus on quality, on products that convince and inspire. We are dedicated to one goal: to improve your quality of life – with innovative, durable and high-quality

designed solutions for water and air: for all users. In any place, every day, at any time. KWC products inspire with safety, sustainability & hygiene.

These values shape our daily work at all locations and give us orientation for future developments. We design aesthetic, distinctive products from high-quality materials, such as 100% recyclable stainless steel or proven mineral granite (MIRANIT).

Our electronic components and touch-free fittings ensure safety, hygienic use and energy efficiency.

# Chrome plated taps

## Elegant and robust

Washroom taps with a polished, chrome-plated surface offer the necessary robustness while simultaneously looking elegant for any type of public, commercial, or semi-public institution. If the wash, shower, and flush taps are properly and gently cleaned and maintained on a regular basis, they will resist high stress in frequently visited facilities for years. The maintenance interval depends on the water quality in the building, the local conditions, and the rules and regulations

applicable at the location. When cleaning taps, you should generally use a suitable cleaning agent that does not harm the surface and use in accordance with the cleaning agent manufacturer's instructions. Only through proper cleaning can the pristine surface finish of the taps be guaranteed. Surface damage caused by improper cleaning is not covered by our warranty. Please follow our cleaning instructions.

### Cleaning methods

- Follow the instructions for use from the cleaning agent manufacturers
- Adjust the dose of cleaner and exposure time to the product-specific requirements
- After cleaning, rinse well with clear water and completely remove any product residue that may have remained (otherwise small black spots can appear > long-term damage)
- Under no circumstances should encrustation be removed mechanically
- Prevent limescale from building up by cleaning regularly
- For spray cleaners, do not spray the solution on the taps, but rather onto the cleaning cloth, as the spray mist could penetrate openings and gaps in the taps and cause damage
- Liquid soap, shampoo, and shower gel residues can cause damage and should be removed after use

---

### Cleaning agents and tools

- Only use cleaning agents that are designated for this surface finish
- Do not use acidic cleaning agents such as hydrochloric acid, formic acid, acetic acid, phosphoric acid and sodium hypochlorite
- Cleaning agents for ceramic surfaces (e.g. for wall and floor coverings, WCs and urinals) generally contain acidic components, which makes them unsuitable, and they can destroy the shiny surface in the medium term
- Mixing cleaning agents is not recommended
- Cleaning agents and wipes with an abrasive effect such as scouring agents, sponges and microfibre cloths should not be used
- Do not use high-pressure cleaners



## Stainless steel

# High-quality material

The use of 304 chrome-nickel steel as the material of first choice for equipment in public and semi-public sanitary facilities has become today's standard for good reason. The material is robust, easy to maintain and therefore particularly cost-effective. Anti-vandalism and easy-to-clean sanitary fittings keep maintenance and servicing costs to a minimum.

Material number 1.4301 (AISI 304) is used in accordance with DIN EN 10088. The formula 18/10

stands for up to 18% chrome and up to 10% nickel. This compound gives the material its special material characteristics: it is resistant to moisture and most acids; it also stands out due to its hardness, resilience, hygiene and high tolerance to heat and cold. Dirt and grease can be easily washed from the smooth, pore-free surface. Scratches and nicks on covers soon lose their hard-edged contours and blend into the surface.

## Stainless steel – an overview of the benefits

- Stainless: Rust only appears as a result of external influences
- Acid-resistant: Largely resistant to all commonly available acids used in the household
- Hygienic: Outstanding disinfection capabilities against bacteria and viruses
- Easy-care: Easy to clean, even when extremely dirty
- Impact-resistant and tear-proof: Resistant to mechanical stress
- Heat and fire-proof: Cigarettes or hot items do not cause burn marks
- 100% recyclable: New stainless steel is made from at least 65% recycled steel

---

## Cleaning and care

The use of steel wool, scouring powder, grinding power, polishing powder, and sandpaper is not recommended. These products can cause scratches and damage the material.

Tougher stains can be removed well with:

- Brushes with natural and plastic bristles
- Fabrics made of chemical and natural fibres
- Microfibre wipes, synthetic fleece, natural leather, sponge wipes, sponges
- High-pressure cleaners, steam cleaners
- Toothpaste
- Household and window cleaners
- Natural substances such as vinegar water (20 % vinegar / 80 % water)

---

Cleaning and care products:

Twister: 125 ml tin, incl. sponge

Item number 2000090040

INOX cream: 250 g tube

Item number 2000057675

RoChromol cleaning and care product, 500 ml

Item number 2000105091

Care set: RoChromol and 2 abrasive sponges

Item number 2000109019





**Stainless steel polished to a high gloss**

Surface that meets high quality standards



**Stainless steel with a satin finish**

Unpolished, robust material finish

**INOX PLUS**

**INOXPlus surface finish**

The nano-particles of the InoxPlus' technology interlock with the molecules of the metal surface during the refinement process, and nestle in to any microscopic imperfections. This results in an extremely fine surface structure, making finger prints almost invisible.



## MIRANIT

# Stable and elegant material

Seamlessly created from a single cast, MIRANIT products cut an impressive figure due to properties such as high stability, an elegant appearance, and – thanks to the smooth, pore-free, hygienic and easy-care gel coat surface – outstanding resistance. MIRANIT stands for the stable compound consisting of approximately 80% natural minerals – such as marble powder, sandstone and quartz sand – and approximately 20% high-quality unsaturated polyester resin. Due to its excellent fluidity, the resin-bonded mineral material can

also be used to create products of almost any shape with a minimal material thickness too. In addition to the Alpine white colour, other colours can be implemented upon request. The broad range of mineral granite products in washrooms, public and semi-public institutions such as sports facilities, hotels, restaurants, schools, kindergartens and even clinics, care facilities as well as industrial and commercial enterprises cut an impressive figure as a standard or customised solution for ideal room utilisation.

## Mineral granite - benefits compared to sanitary ceramics



- ❶ Impact-resistant and break-proof material compound for great stability with thin material thickness
- ❷ Clear design language due to very flat surfaces and small radii
- ❸ Pore-free, hygienic, and high-polished gel coat surface in the standard Alpine white colour; temperature-resistant up to 80°C
- ❹ The length of recessed wash basins can be adapted with an angle grinder up to a total length of 3.60 m at the customer's premises

- ➔ Gel coating is resistant to chemical and physical stress, e.g. when using disinfectants
- ➔ Surface damage can be mended with special repair sets and can be machined mechanically

---

## Cleaning and care

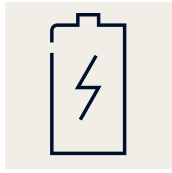
The gel coat surface is dirt repellent and particularly easy to clean. In most cases, a damp cloth is all you need for cleaning the wash basins, multiple washing facilities and cleaning basins. Tougher stains can be removed with mild, non-abrasive cleaning agents. This also applies to colour pencil traces, shoe polish, ink, iodine solution and lipstick. Stains that can result from cigarette ash, for example, can be removed with a polishing paste. For a long-lasting shine, it is advisable to occasionally rub MIRANIT fixture products with a polishing agent from KWC Professional accessory range or with commercially available car polish and then immediately re-polish the treated surfaces.

Care product:

Polishing agent for MIRANIT products with a gel coat surface (shiny), contents 125 ml - Item number 2000110575

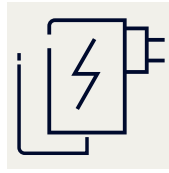


# Symbols – Overview and meaning



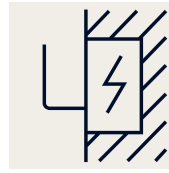
## Battery operation

- portable function
- battery included in the scope of delivery



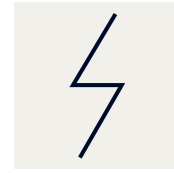
## Plug-in power supply unit

- included in the scope of delivery



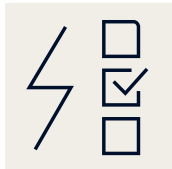
## Power supply unit

- included in the scope of delivery
- installed, e.g. in the tap's flush-mounting box or flush-mounting cabinet



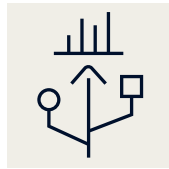
## Separate power supply

- power supply unit from the accessory program required
- central power supply, e.g. for several taps



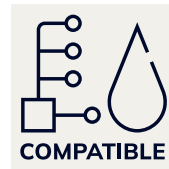
## Select power supply

- battery or power supply unit from the accessory range required



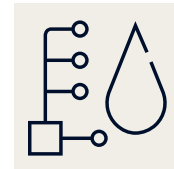
## Statistical data storage

- automatic storage of hygiene-related functions in the electronics along with the date, time and frequency of use
- read via a bi-directional remote control from the accessory program



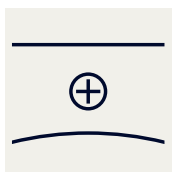
## AQUA 3000 open-compatible

- option to combine with a suitable electronics module for connection to the AQUA 3000 open water management system of F5E taps



## AQUA 3000 open

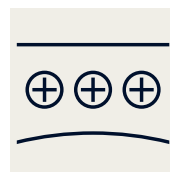
- network-compatible tap
- the electronic module is included in the scope of delivery
- AQUA 3000 open system accessories must be ordered separately and tailored to a particular premises



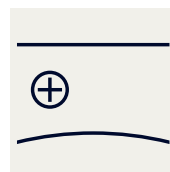
central tap hole is possible



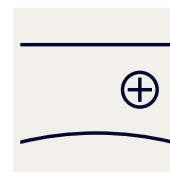
tap hole possible on the right or left



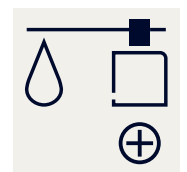
position of tap holes can be freely selected



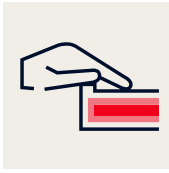
tap hole only possible on the left



tap hole only possible on the right

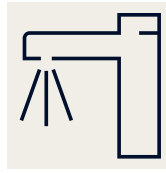


soap dispenser hole possible



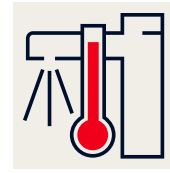
### Safe-Touch housing

- protection against scalding if the skin comes into contact with the valve body



### Water hygiene flushing

- activated water hygiene flushing, factory-set



### Thermal disinfection

- option to perform thermal disinfections
- manual or automatic (depending on the tap version)



### FRAMIC inside

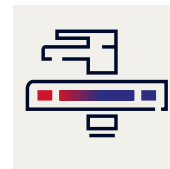
#### Fitting Range with Modular Innovation Cartridge

- patented, first ceramic self-closing cartridge for F5S hydraulic taps
- stagnation-free, flow pressure-independent functionality



### THERM inside

- first ceramic thermostat cartridge for single lever mixers in the F5LT and F4LT-Med lines
- water is dispensed at a constant temperature, regardless of the flow pressure
- intrinsically safe from hot or cold water backflow



### Decoupled water line

- F4LT-Med single lever mixer wall-mounted mixers are fitted with thermally insulating components which reduce the transmission of heat from the tap housing to the cold water pipe
- the smooth water pipes, which are decoupled from the housing, reduced the water volume and are made of low-lead brass (lead content  $\leq 0.2\%$ ) and have no nickel coating



### Sliding adhesive flange

- the system box with patented sliding adhesive flange guarantees secure water-proofing in buildings with wall-mounted taps
- continuously adjustable with flexible sealing collar
- watertight, permanently elastic, crack bridging



### Integrated seal

- a seal that is integrated into the mounting edge from below enables the countertop washbasin to be installed quickly and cleanly on the frame
- additional sealing with silicone is no longer necessary



### InoxPlus surface refinement

- refinement of stainless steel surfaces
- nano-particles intermesh with the molecules of the metal surface and cling tightly to the microscopic irregularities.
- the ultra-fine structure makes fingerprint marks virtually invisible



# Self-closing, electronic, single lever mixers

Automatically functioning taps in various styles and designs help to save water and energy in public, semi-public and commercial washrooms which have high traffic and frequently changing users.

Reliable technologies ensure convenience and safety. The product range extends from self-closing and electronic taps, which can be made network-compatible with the aid of accessories, to single lever mixers with additional hygiene options, hybrid kitchen fittings and fitting units.

## Washbasin taps

<b>KWC</b> F5 self-closing valves and mixers	16
<b>KWC</b> F5 electronic valves and mixers	19
<b>KWC</b> F5 single-lever mixer	28
<b>KWC</b> F5 hybrid kitchen fitting	33
<b>KWC</b> F3 self-closing valves and mixers	34
<b>KWC</b> F3 electronic valves and mixers	36
<b>KWC</b> Self-closing valves, electronic taps	45
<b>KWC</b> Tap units for row washbasin systems	49
<b>KWC</b> FX-M wash place units	54
<b>KWC</b> Accessories	58

Our F4LT-Med thermostatic single-lever mixers for use in the health and care sector can be found in the chapter "Sanitary facilities for the healthcare sector".

# F5 self-closing valve and mixers

Type	Article Number
------	----------------



## F5S self-closing pillar tap

F5S self-closing pillar tap DN 15 for sanitary facilities. FRAMIC self-closing cartridge, hydraulically controlled, low-maintenance and stagnation-free, with ceramic disc technology, self-closing, flow pressure-independent due to medium-separated design. Stepless adjustment of flow duration. For connection to pre-mixed hot water or cold water via hose including strainer seal. All-metal construction, high-polished chromium-plated brass. Anti-theft aerator, SLIM design, with integrated flow regulator 5.0 l/min.

**F5SV1001** 2030036165

with flow regulator 3.0 l/min

**F5SV1002** 2030039426

Optional accessories

Socket for F5S self-closing pillar taps and pillar mixer

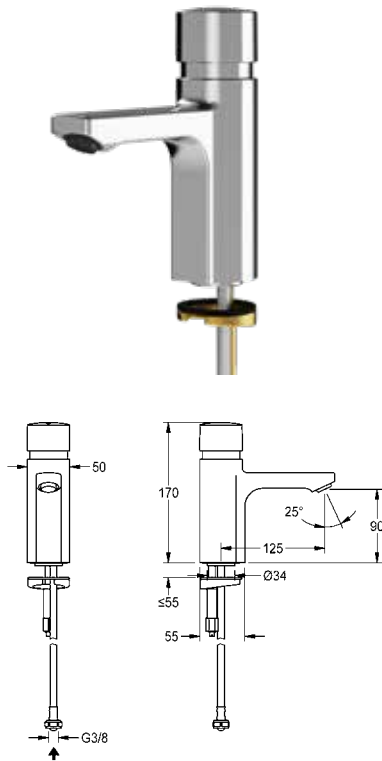
**ACSX1001** 2030041519

Anti-twist protection

**ACXX1001** 2030035383

Under-table thermostat, additional aerators, see "Washbasin tap accessories", page 58 onwards

Note: Version with connecting pipes available on request.



## F5S-Mix self-closing pillar mixer

F5S-Mix self-closing pillar mixer DN 15 as single-mixer tap for sanitary facilities. FRAMIC self-closing mixing cartridge, hydraulically controlled, low-maintenance and stagnation-free, with ceramic disc technology, self-closing, flow pressure-independent due to medium-separated design. Stepless adjustment of flow duration. With adjustable, turn-proof temperature stop. For connection to hot water and cold water via hoses with integrated backflow preventer and strainers. All-metal construction, high-polished chromium-plated brass. Anti-theft aerator, SLIM design, with integrated flow regulator 5.0 l/min.

**F5SM1001** 2030036163

with flow regulator 3.0 l/min

**F5SM1006** 2030039396

Optional accessories

Socket for F5S self-closing pillar taps and pillar mixer

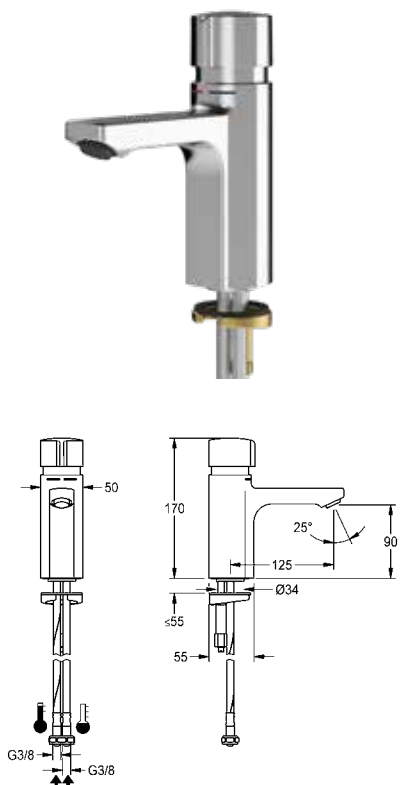
**ACSX1001** 2030041519

Anti-twist protection

**ACXX1001** 2030035383

Under-table thermostat, additional aerators, see "Washbasin tap accessories", page 58 onwards

Note: Version with connecting pipes available on request.





Type

Article Number

**F5S-Mix self-closing wall-mounted mixer**

F5S-Mix self-closing wall-mounted mixer DN 15 as single-mixer tap for wall mounting with lockable swivelling spout, for sanitary facilities. FRAMIC self-closing mixing cartridge, hydraulically controlled, low-maintenance and stagnation-free, with ceramic disc technology, self-closing, flow pressure-independent due to medium-separated design. Stepless adjustment of flow duration. With adjustable, turn-proof temperature stop. Connects to hot and cold water. All-metal construction, high-polished chromium-plated brass. Laminar jet controller with integrated flow regulator 6.0 l/min. With adjustable and lockable connections with backflow preventer and strainers, completely covered with depth-adjustable screw rosettes.

Projection 195 mm

**F5SM1004** 2030032992

Projection 135 mm

**F5SM1003** 2030032991

Projection 255 mm

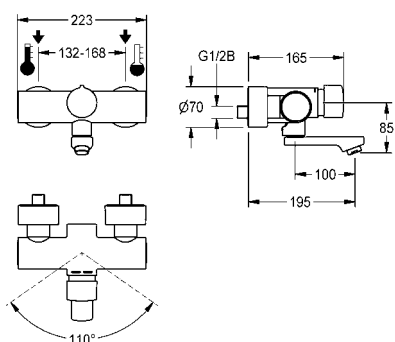
**F5SM1005** 2030032993with projection 135 mm and **aerator** with flow regulator **3.0 l/min****F5SM1008** 2030040314with projection 195 mm and **aerator** with flow regulator **3.0 l/min****F5SM1009** 2030040316with projection 255 mm and **aerator** with flow regulator **3.0 l/min****F5SM1010** 2030040317

Optional accessories

Theft-proof housing for aerator

**ZTAPS0005** 2000104778

Additional aerators, see "Washbasin tap accessories", page 58 onwards

**F5S-Therm self-closing thermostatic wall-mounted mixer**

F5S-Therm self-closing thermostat wall mixer DN 15 for wall mounting with lockable swivelling spout, for sanitary facilities. Hydraulically controlled, connects to hot water and cold water. With a pre-assembled hygiene unit including sensor with control electronics and 6 V lithium battery (CR-P2) for automatic hygiene flushing and storage of statistical data. FRAMIC self-closing cartridge, hydraulically controlled, low-maintenance and stagnation-free, with ceramic disc technology, self-closing, flow pressure-independent due to medium-separated design. Stepless adjustment of flow duration. Thermostat with metal handle with adjustable and turn-proof temperature stop, with option for performance of manual thermal disinfection. Scald-protected, safe-touch housing, all-metal construction, high-polished chromium-plated brass. Laminar jet controller with integrated flow regulator 6.0 l/min. With adjustable and lockable connections with backflow preventer and strainers, completely covered with depth-adjustable screw rosettes. Projection 195 mm. Activated hygiene flushing, fixed interval of 24 hours. With option for parameterization and communication via optional, bidirectional remote control.

Projection 195 mm

**F5ST1005** 2030040243

Projection 135 mm

**F5ST1004** 2030040242

Projection 255 mm

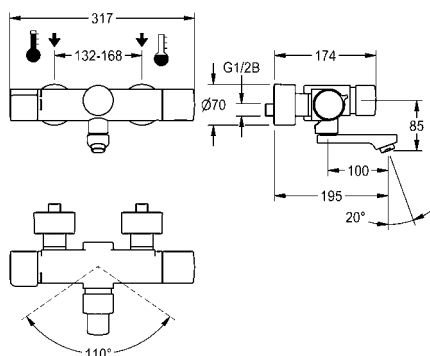
**F5ST1006** 2030040288

Optional accessories

Theft-proof housing for aerator

**ZTAPS0005** 2000104778

Bidirectional remote control, two-button remote control, additional aerators, see "Washbasin tap accessories", page 58 onwards



# F5 self-closing mixers, electronic valves

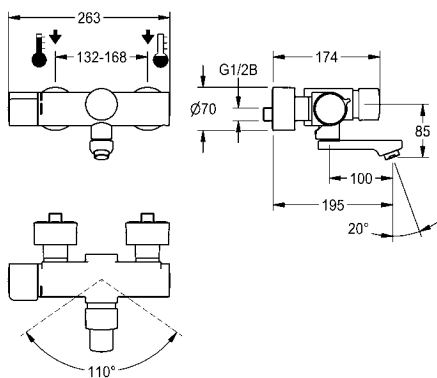
Type

Article Number



## F5S-Therm self-closing thermostatic wall-mounted mixer

F5S-Therm self-closing thermostat wall mixer DN 15 for wall mounting with lockable swivelling spout, for sanitary facilities. Hydraulically controlled, connects to hot water and cold water. With a mechanism for an optional water hygiene unit for automatic hygiene flushing and storage of statistical data. FRAMIC self-closing cartridge, hydraulically controlled, low-maintenance and stagnation-free, with ceramic disc technology, self-closing, flow pressure-independent due to medium-separated design. Stepless adjustment of flow duration. Thermostat with metal handle with adjustable and turn-proof temperature stop, with option for performance of manual thermal disinfection. Scald-protected, safe-touch housing, all-metal construction, high-polished chromium-plated brass. Laminar jet controller with integrated flow regulator 6.0 l/min. With adjustable and lockable connections with backflow preventer and strainers, completely covered with depth-adjustable screw rosettes.



Projection 195 mm

**F5ST1002** 2030032963

Projection 135 mm

**F5ST1001** 2030032959

Projection 255 mm

**F5ST1003** 2030032967

Optional accessories

Hygiene unit

**ACST9001** 2030041162

Theft-proof housing for aerator

**ZTAPS0005** 2000104778

Additional aerators, see "Washbasin tap accessories", page 58 onwards



## Hygiene unit for F5S-Therm

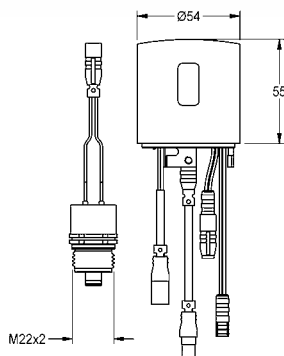
Hygiene unit for F5S-Therm self-closing thermostatic wall mixers for sanitary and shower facilities, for performing of an automatic hygiene flushing and storage of statistical data. Housing adapter including sensor with control electronics and 6 V lithium battery (CR-P2) as well as solenoid valve cartridge. Activated water hygiene flushing (30 s), fixed interval time 24 hours and saving of statistical data. With option for parameterization and communication via optional, bidirectional remote control.



**ACST9001** 2030041162

Optional accessories

Bidirectional remote control, two-button remote control, see page 61



Type	Article Number
------	----------------



### F5E electronic pillar tap with battery operation

F5E pillar tap DN 15 for sanitary facilities, opto-electronically controlled. For connection to pre-mixed hot or cold water via hose and strainer. Control electronics, solenoid valve cartridge, 6 V lithium battery (CR-P2) and sensor in all-metal housing, high-polished chromium-plated brass. Anti-theft aerator, design SLIM, with integrated flow regulator 5.0 l/min. Activated water hygiene flushing 24 hours after last activation, safety switch-off with continuous reflection and saving of statistical data. With option for parameterization and communication via optional, bidirectional remote control.

<b>F5EV1001</b>	2030027922
-----------------	------------

with flow regulator 3.0 l/min

<b>F5EV1005</b>	2030039435
-----------------	------------

Optional accessories

Socket for F5E electronic pillar taps and pillar mixer

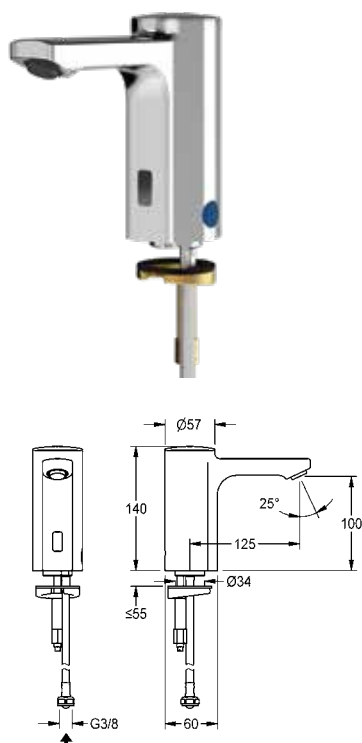
<b>ACEX1001</b>	2030040334
-----------------	------------

Anti-twist protection

<b>ACXX1001</b>	2030035383
-----------------	------------

Bidirectional remote control, two-button remote control, under-table thermostat, additional aerators, see "Washbasin tap accessories", page 58 onwards

Note: Version with connecting pipes available on request.



### F5E electronic pillar tap with plug-in power supply unit

F5E pillar tap DN 15 for sanitary facilities, opto-electronically controlled. For connection to pre-mixed hot or cold water via hose and strainer. Control electronics, solenoid valve cartridge and sensor in all-metal housing, high-polished chromium-plated brass. Anti-theft aerator, design SLIM, with integrated flow regulator 5.0 l/min. Activated water hygiene flushing 24 hours after last activation, safety switch-off with continuous reflection and saving of statistical data. With option for parameterization and communication via optional, bidirectional remote control. With 100 - 240 V AC plug-in power supply unit.

<b>F5EV1002</b>	2030035330
-----------------	------------

with flow regulator 3.0 l/min

<b>F5EV1006</b>	2030039436
-----------------	------------

Optional accessories

Socket for F5E electronic pillar taps and pillar mixer

<b>ACEX1001</b>	2030040334
-----------------	------------

Extension cable 5 m

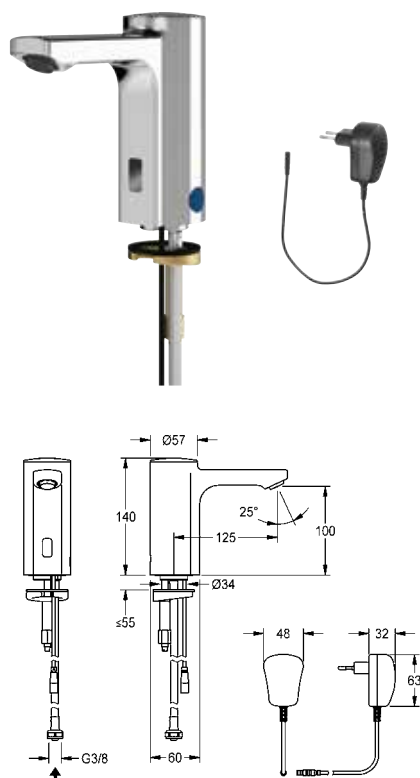
<b>ACEX9010</b>	2030043814
-----------------	------------

Anti-twist protection

<b>ACXX1001</b>	2030035383
-----------------	------------

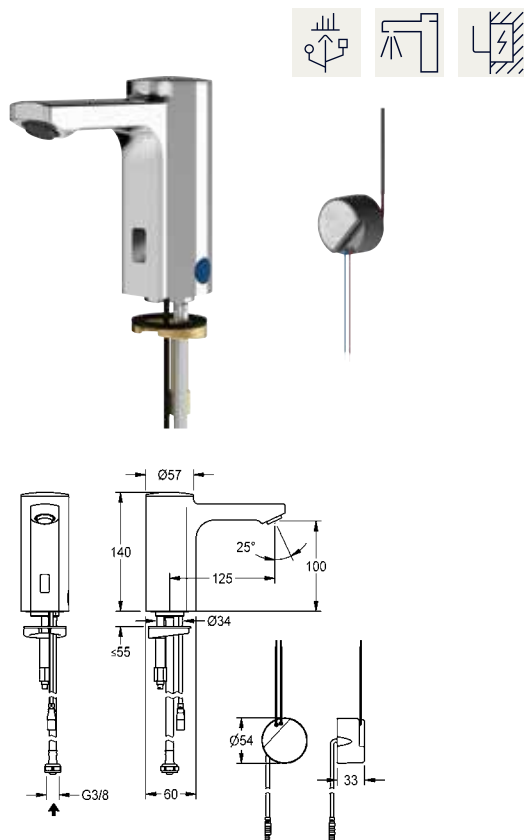
Bidirectional remote control, two-button remote control, under-table thermostat, additional aerators, see "Washbasin tap accessories", page 58 onwards

Note: Version with connecting pipes available on request.



# F5 electronic valves and mixers

Type	Article Number
------	----------------



## F5E electronic pillar tap with in-wall power supply

F5E pillar tap DN 15 for sanitary facilities, opto-electronically controlled. For connection to pre-mixed hot or cold water via hose and strainer. Control electronics, solenoid valve cartridge and sensor in all-metal housing, high-polished chromium-plated brass. Anti-theft aerator, design SLIM, with integrated flow regulator 5.0 l/min. Activated water hygiene flushing 24 hours after last activation, safety switch-off with continuous reflection and saving of statistical data. With option for parameterization and communication via optional, bidirectional remote control. With in-wall power supply 100 - 240 V AC.

**F5EV1003** 2030035331

with flow regulator 3.0 l/min

**F5EV1007** 2030039437

Optional accessories

Socket for F5E electronic pillar taps and pillar mixer

**ACEX1001** 2030040334

Extension cable 5 m

**ACEX9010** 2030043814

Anti-twist protection

**ACXX1001** 2030035383

Bidirectional remote control, two-button remote control, under-table thermostat, additional aerators, see "Washbasin tap accessories", page 58 onwards

Note: Version with connecting pipes available on request.



## F5E electronic pillar tap for separate power supply

F5E pillar tap DN 15 for sanitary facilities, opto-electronically controlled. For connection to pre-mixed hot or cold water via hose and strainer. Control electronics, solenoid valve cartridge and sensor in all-metal housing, high-polished chromium-plated brass. Anti-theft aerator, design SLIM, with integrated flow regulator 5.0 l/min. Activated water hygiene flushing 24 hours after last activation, safety switch-off with continuous reflection and saving of statistical data. With option for parameterization and communication via optional, bidirectional remote control. Separate power supply unit 6.75 V / 12 V DC or AQUA 3000 open system accessories.

**F5EV1004** 2030036158

with flow regulator 3.0 l/min

**F5EV1008** 2030039438

Necessary accessories

Power supply unit

**ACEX9001** 2030039477

Extension cable 5 m (per tap)

**ACEX9010** 2030043814

Optional accessories

Socket for F5E electronic pillar taps and pillar mixer

**ACEX1001** 2030040334

Anti-twist protection

**ACXX1001** 2030035383

Electronic module EM5 with ID 02010

**ACEX1002** 2030041520

Electronic module EM5 with ID 02010, with flush box

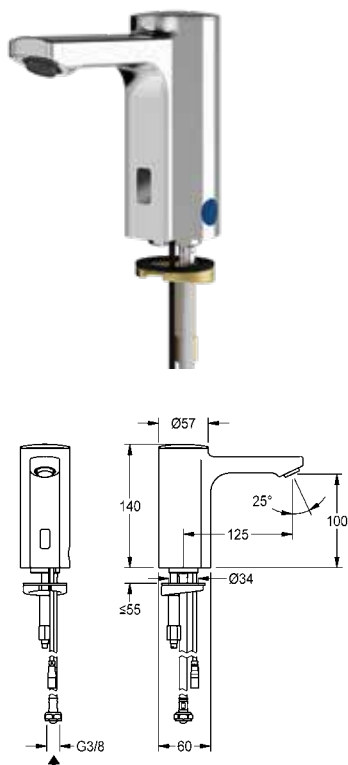
**ACEX1004** 2030059118

Bidirectional remote control, two-button remote control, under-table thermostat, additional aerators, see "Washbasin tap accessories", page 58 onwards

AQUA 3000 open system accessories, see "AQUA 3000 open" section

Note: Version with connecting pipes available on request.

Overview and meaning of the symbols see page 12-13



Type

Article Number

**F5E-Mix electronic pillar mixer with battery operation**

F5E-Mix pillar mixer DN 15 for sanitary facilities, opto-electronically controlled. For connection to hot and cold water via hoses with integrated backflow preventer and strainers. Control electronics, solenoid valve cartridge, 6 V lithium battery (CR-P2) and sensor in all-metal housing, high-polished chromium-plated brass. Temperature lever with adjustable, turn-proof temperature stop as well as conversion set for concealed mixing device. Anti-theft aerator, design SLIM, with integrated flow regulator 5.0 l/min. Activated water hygiene flushing 24 hours after last activation, safety switch-off with continuous reflection and saving of statistical data. With option for parameterization and communication via optional, bidirectional remote control.

**F5EM1001** 2030027923

with flow regulator 3.0 l/min

**F5EM1007** 2030039427

Optional accessories

Socket for F5E electronic pillar taps and pillar mixer

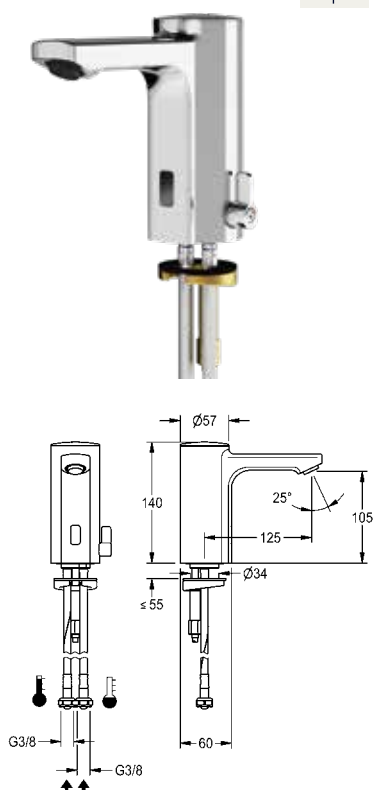
**ACEX1001** 2030040334

Anti-twist protection

**ACXX1001** 2030035383

Bidirectional remote control, two-button remote control, under-table thermostat, additional aerators, see "Washbasin tap accessories", page 58 onwards

Note: Version with connecting pipes available on request.

**F5E-Mix electronic pillar mixer with plug-in power supply unit**

F5E-Mix pillar mixer DN 15 for sanitary facilities, opto-electronically controlled. For connection to hot and cold water via hoses with integrated backflow preventer and strainers. Control electronics, solenoid valve cartridge and sensor in all-metal housing, high-polished chromium-plated brass. Temperature lever with adjustable, turn-proof temperature stop as well as conversion set for concealed mixing device. Anti-theft aerator, design SLIM, with integrated flow regulator 5.0 l/min. Activated water hygiene flushing 24 hours after last activation, safety switch-off with continuous reflection and saving of statistical data. With option for parameterization and communication via optional, bidirectional remote control. With 100 - 240 V AC plug-in power supply unit.

**F5EM1002** 2030035328

with flow regulator 3.0 l/min

**F5EM1008** 2030039431

Optional accessories

Socket for F5E electronic pillar taps and pillar mixer

**ACEX1001** 2030040334

Anti-twist protection

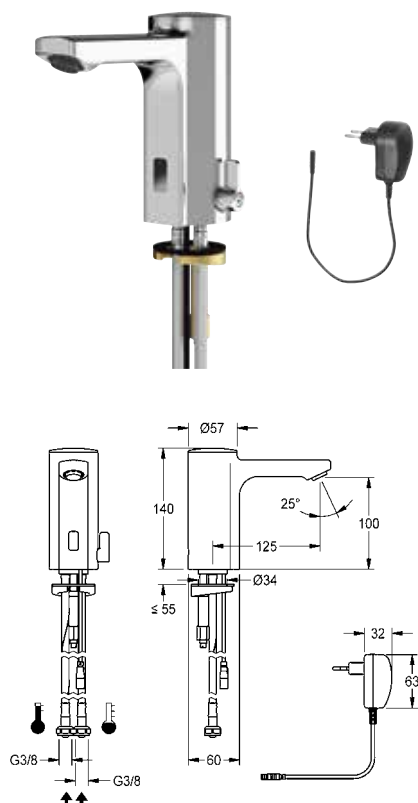
**ACXX1001** 2030035383

Extension cable 5 m

**ACEX9010** 2030043814

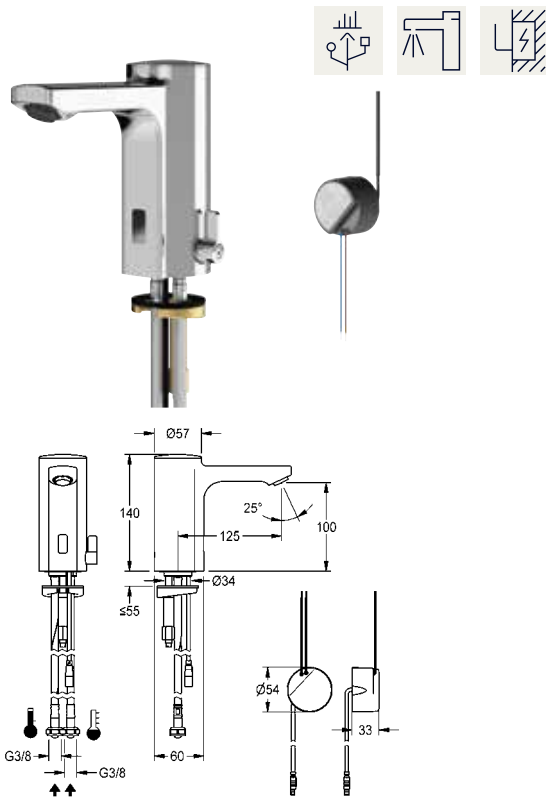
Bidirectional remote control, two-button remote control, under-table thermostat, additional aerators, see "Washbasin tap accessories", page 58 onwards

Note: Version with connecting pipes available on request.



# F5 electronic mixers

Type	Article Number
------	----------------



## F5E-Mix electronic pillar mixer with in-wall power supply

F5E-Mix pillar mixer DN 15 for sanitary facilities, opto-electronically controlled. For connection to hot and cold water via hoses with integrated backflow preventer and strainers. Control electronics, solenoid valve cartridge and sensor in all-metal housing, high-polished chromium-plated brass. Temperature lever with adjustable, turn-proof temperature stop as well as conversion set for concealed mixing device. Anti-theft aerator, design SLIM, with integrated flow regulator 5.0 l/min. Activated water hygiene flushing 24 hours after last activation, safety switch-off with continuous reflection and saving of statistical data. With option for parameterization and communication via optional, bidirectional remote control. With in-wall power supply 100 - 240 V AC.

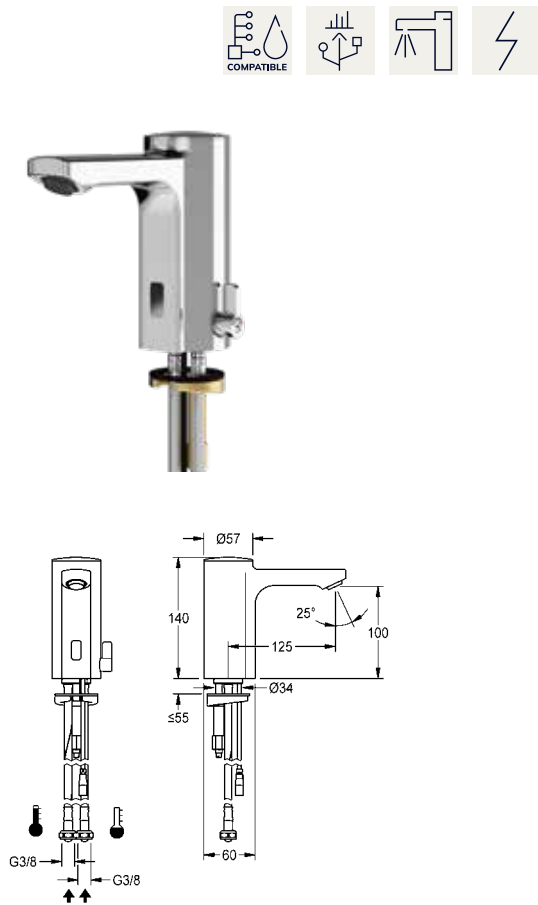
<b>F5EM1003</b>	2030035329
with flow regulator 3.0 l/min	
<b>F5EM1009</b>	2030039432

### Optional accessories

Socket for F5E electronic pillar taps and pillar mixer	
<b>ACEX1001</b>	2030040334
Extension cable 5 m	
<b>ACEX9010</b>	2030043814
Anti-twist protection	
<b>ACXX1001</b>	2030035383

Bidirectional remote control, two-button remote control, under-table thermostat, additional aerators, see "Washbasin tap accessories", page 58 onwards

Note: Version with connecting pipes available on request.



## F5E-Mix electronic pillar mixer for separate power supply

F5E-Mix pillar mixer DN 15 for sanitary facilities, opto-electronically controlled. For connection to hot and cold water via hoses with integrated backflow preventer and strainers. Control electronics, solenoid valve cartridge and sensor in all-metal housing, high-polished chromium-plated brass. Temperature lever with adjustable, turn-proof temperature stop as well as conversion set for concealed mixing device. Anti-theft aerator, design SLIM, with integrated flow regulator 5.0 l/min. Activated water hygiene flushing 24 hours after last activation, safety switch-off with continuous reflection and saving of statistical data. With option for parameterization and communication via optional, bidirectional remote control. Separate power supply via power supply unit 6.75 V / 12 V DC or AQUA 3000 open system accessories.

<b>F5EM1004</b>	2030036159
with flow regulator 3.0 l/min	
<b>F5EM1010</b>	2030039434

### Necessary accessories

Power supply unit	
<b>ACEX9001</b>	2030039477
Extension cable 5 m (per tap)	
<b>ACEX9010</b>	2030043814

### Optional accessories

Socket for F5E electronic pillar taps and pillar mixer	
<b>ACEX1001</b>	2030040334
Anti-twist protection	
<b>ACXX1001</b>	2030035383
Electronic module EM5 with ID 02010	
<b>ACEX1002</b>	2030041520
Electronic module EM5 with ID 02010, with flush box	
<b>ACEX1004</b>	2030059118

Bidirectional remote control, two-button remote control, under-table thermostat, additional aerators, see "Washbasin tap accessories", page 58 onwards

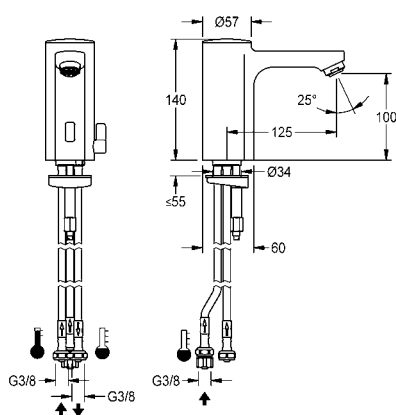
AQUA 3000 open system accessories, see "AQUA 3000 open" section

Note: Version with connecting pipes available on request.

Overview and meaning of the symbols see page 12-13

Type

Article Number



### F5E-Mix electronic pillar mixer with battery operation for hot water heaters

F5E-Mix pillar mixer DN 15 for sanitary facilities, opto-electronically controlled. For connection via hoses to open low-level domestic hot water heaters. Control electronics, solenoid valve cartridge, 6 V lithium battery (CR-P2) and sensor in all-metal housing, high-polished chromium-plated brass. Temperature lever with adjustable, turn-proof temperature stop as well as conversion set for concealed mixing device. With jet controller. Activated water hygiene flushing 24 hours after last activation, safety switch-off with continuous reflection and saving of statistical data. With option for parameterization and communication via optional, bidirectional remote control.

**F5EM1005** 2030031350

Optional accessories

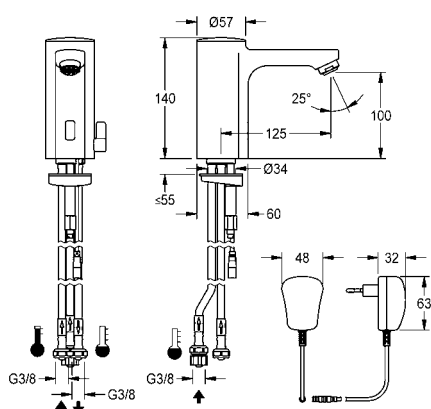
Low-level hot water heater, 5 litre

**ACXM1001** 2000109145

Anti-twist protection

**ACXX1001** 2030035383

Bidirectional remote control, two-button remote control, see page 61



### F5E-Mix electronic pillar mixer with plug-in power supply unit for hot water heaters

F5E-Mix pillar mixer DN 15 for sanitary facilities, opto-electronically controlled. For connection via hoses to open low-level domestic hot water heaters. Control electronics, solenoid valve cartridge and sensor in all-metal housing, high-polished chromium-plated brass. Temperature lever with adjustable, turn-proof temperature stop as well as conversion set for concealed mixing device. With jet controller. Activated water hygiene flushing 24 hours after last activation, safety switch-off with continuous reflection and saving of statistical data. With option for parameterization and communication via optional, bidirectional remote control. With 100 - 240 V AC plug-in power supply unit.

**F5EM1006** 2030035332

Optional accessories

Low-level hot water heater, 5 litre

**ACXM1001** 2000109145

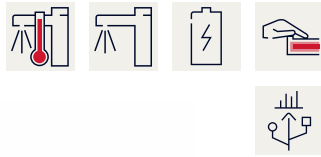
Anti-twist protection

**ACXX1001** 2030035383

Extension cable 5 m

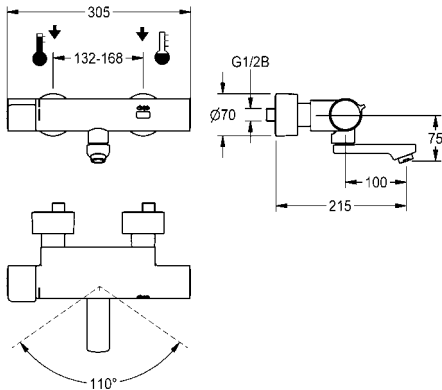
**ACEX9010** 2030043814

Bidirectional remote control, two-button remote control, see page 61



## F5E-Therm electronic thermostatic wall-mounted mixer with battery operation

F5E-Therm thermostatic mixer DN 15 for wall mounting with lockable swivelling spout, for sanitary facilities. Opto-electronically controlled, triggered via hand movement. Thermostat with metal handle and adjustable, turn-proof temperature stop. With option for thermal disinfection, manually or automatically via optional disinfection unit. For connection to hot and cold water. Control electronics, solenoid valve cartridge, 6 V lithium battery (CR-P2) and sensor in scald-protected safe-touch housing, high-polished chromium-plated brass. Laminar jet controller with integrated flow regulator 6.0 l/min. With adjustable and lockable connections with backflow preventer and strainers, completely covered with depth-adjustable screw rosettes. Projection 215 mm. Activated water hygiene flushing 24 hours after last activation, safety switch-off with continuous reflection and saving of statistical data. With option for parameterization and communication via optional, bidirectional remote control.



Projection 215 mm

**F5ET1002** 2030032981

Projection 155 mm

**F5ET1001** 2030032980

Projection 275 mm

**F5ET1003** 2030032983

with projection 155 mm and **pre-installed disinfection unit**

**F5ET1016** 2030039527

with projection 215 mm and **pre-installed disinfection unit**

**F5ET1017** 2030039528

with projection 275 mm and **pre-installed disinfection unit**

**F5ET1018** 2030039529

Optional accessories

Thermal disinfection unit

**ACET9001** 2030039541

Theft-proof housing for aerator

**ZTAPS0005** 2000104778

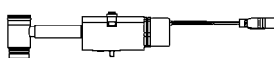
Bidirectional remote control, two-button remote control, additional aerators, see "Washbasin tap accessories", page 58 onwards



## Thermal disinfection unit for F5E-Therm

Thermal disinfection unit for F5E-Therm thermostatic wall mixers for sanitary and shower facilities, for performing of a program-controlled thermal disinfection. Function block including solenoid valve cartridge.

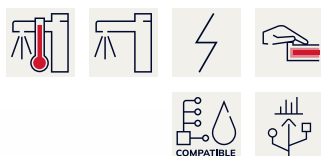
**ACET9001** 2030039541





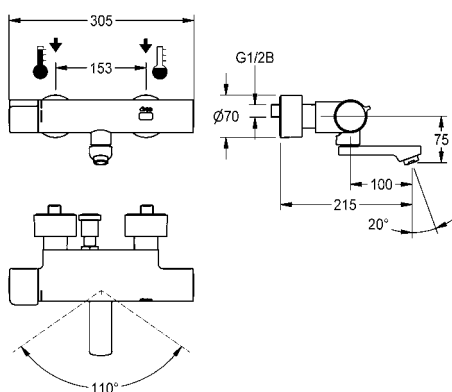
Type

Article Number



### F5E-Therm electronic thermostatic wall-mounted mixer for separate power supply

F5E-Therm thermostatic mixer DN 15 for wall mounting with lockable swivelling spout, for sanitary facilities. Opto-electronically controlled, triggered via hand movement. Thermostat with metal handle with adjustable and turn-proof temperature stop. With option for thermal disinfection, manually or automatically via optional disinfection unit. For connection to hot and cold water. Control electronics, solenoid valve cartridge and sensor in scald-protected safe-touch housing, high-polished chromium-plated brass. Laminar jet controller with integrated flow regulator 6.0 l/min. With adjustable and lockable connections with backflow preventer and strainers, completely covered with depth-adjustable screw rosettes. Projection 215 mm. Activated water hygiene flushing 24 hours after last activation, safety switch-off with continuous reflection and saving of statistical data. With option for parameterization and communication via optional, bidirectional remote control. Separate power supply via power supply unit 6.75 V / 12 V DC or AQUA 3000 open system accessories.



Projection 215 mm

**F5ET1005** 2030036211

Projection 155 mm

**F5ET1004** 2030036210

Projection 275 mm

**F5ET1006** 2030036212with projection 155 mm and **pre-installed disinfection unit****F5ET1019** 2030039530with projection 215 mm and **pre-installed disinfection unit****F5ET1020** 2030039538with projection 275 mm and **pre-installed disinfection unit****F5ET1021** 2030039539

Necessary accessories

Mounting bar for F5 wall-mounted mixers

**F5BTX002** 2030071303

Power supply unit

**ACEX9001** 2030039477

Extension cable 5 m (per tap)

**ACEX9010** 2030043814

Optional accessories

Thermal disinfection unit

**ACET9001** 2030039541

Theft-proof housing for aerator

**ZTAPS0005** 2000104778

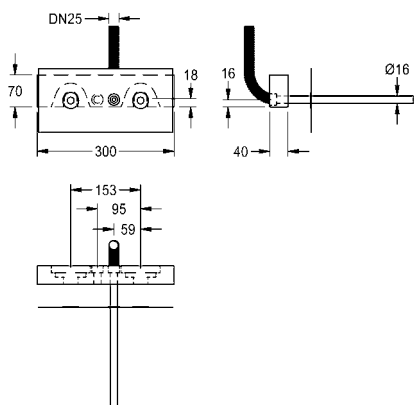
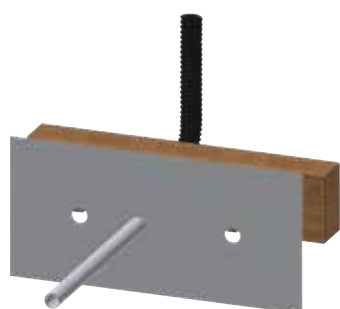
Electronic module EM5 with ID 02050

necessary sensor extension cable, see "AQUA 3000 open" section)

**ACET1001** 2030041914

Bidirectional remote control, two-button remote control, additional aerators, see "Washbasin tap accessories", page 58 onwards

AQUA 3000 open system accessories, see "AQUA 3000 open" section



### Mounting bar for F5 wall-mounted mixers

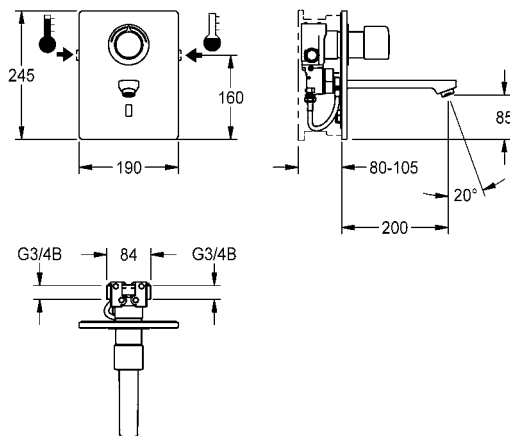
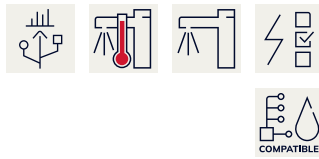
Mounting bar for F5 wall-mounted mixers with separate power supply. Plywood with water-resistant glue, suitable for use in wet areas. With cable bushing including front-side protective pipe and rear-side protective hose with sealing collar. Defined positioning for G 1/2 wall plates to be provided on site, including expansion sleeves.

**F5BTX002** 2030071303

# F5 electronic mixers, system box R5

Type

Article Number



## F5E-Therm electronic thermostatic in-wall mixer for separate power supply

F5E-Therm thermostatic mixer DN 15 as finished installation kit for in-wall installation in basic installation kit, for sanitary facilities. Opto-electronically controlled, for connection to hot water and cold water. Function block with integrated solenoid valve cartridge, thermostat and device for optional bypass solenoid valve cartridge, for program-controlled thermal disinfection. Thermostat with metal handle with adjustable and turn-proof temperature stop and option for manual thermal disinfection. Visible parts made of high-polished chromium-plated brass. Holding frame with profile seal, stainless steel cover plate 190 x 245 mm with covered screw fixing including sensor with control electronics, rosette, backflow preventer and strainers. Spout with laminar jet controller with integrated flow regulator 6.0 l/min. Projection 200 mm, depth adjustability 25 mm. Activated water hygiene flushing 24 hours after last activation, safety switch-off with continuous reflection and saving of statistical data. With option for parameterization and communication via optional, bidirectional remote control. Separate power supply via power supply unit 6.75 V / 12 V DC or AQUA 3000 open system accessories.

Projection 200 mm

**F5ET1014** 2030038682

Projection 140 mm

**F5ET1013** 2030038681

Projection 260 mm

**F5ET1015** 2030038683

Necessary accessories

R5 System box for in-wall mixers

**F5BX1001** 2030028992

Battery compartment including 6 V battery

**ZAQCT0003** 2000109466

Power supply unit

**ACEX9001** 2030039477

Extension cable 5 m (per tap)

**ACEX9010** 2030043814

Power supply for installation in the wall with connecting cable 1 m

**ACEX9003** 2030039825

Optional accessories

Solenoid valve cartridge DN 5, 6 V DC

**ACXX9002** 2030045522

Extension set for 25 mm depth compensation

**ACET9002** 2030044782

Electronic module EM5 with ID 02030 for F5ET1014

**ACET1003** 2030041916

Electronic module EM5 with ID 02020 for F5ET1013

**ACET1002** 2030041915

Electronic module EM5 with ID 02040 for F5ET1015

**ACET1004** 2030041917

Theft-proof housing for aerator

**ZTAPS0005** 2000104778

Bidirectional remote control, two-button remote control, additional aerators, see "Washbasin tap accessories", page 58 onwards

AQUA 3000 open system accessories, see "AQUA 3000 open" section

Note:

Thermal disinfection performed using key switch with separate power supply on request.

Type

Article Number



### R5 System box for in-wall mixers

R5 basic installation kit with sliding adhesive flange for in-wall mounting of finished installation kits DN 15 with mixing unit, for sanitary facilities. For connection to hot and cold water. System box made of plastic, 174 x 225 mm, with lockable connection screws, shell protection, flush connector for flushing, and leak test. Continuously-adjustable sliding adhesive flange with form-closed, flexible, 70 mm wide sealing collar. Sealing collar made of water-tight, permanently-elastic, alkali-resistant, and crack-bridging thermoplastic elastomer with polypropylene fleece for connecting to compound seals in dry and wet construction.

**F5BX1001**

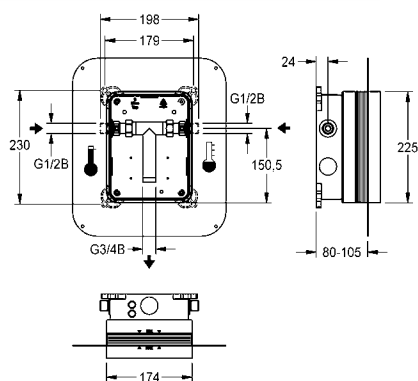
2030028992

Optional accessories

Mounting traverse, depth adjustable, for installing shower fittings with flush-mounting cabinets in drywall, packaging unit: 2 pieces

**ZCMPX006**

2000106019



### F5E Washbasin fitting for concealed mounting

F5E Washbasin fitting DN 15 for concealed mounting. Opto-electronic control, activation on hand reflection. For connection to pre-mixed hot water or cold water. With round sensor (diameter 55 mm), with integrated control electronics and deactivation of cleaning, high-polished chrome-plated brass, to be screwed in from rear, with anti-twist protection, solenoid valve with screw fixings G 1/2 B, extension cable for solenoid valve, length 5 m. Activated water hygiene flushing 24 hours after last activation and saving of statistical data. With option for parameterization and communication via optional, bidirectional remote control. Optional battery operation with 6 V lithium battery (CR-P2) per fitting or separate power supply via power supply unit 6.75 V/12 V DC or AQUA 3000 open system accessories.



Battery compartment including battery or power supply unit with extension cable must be ordered separately.

**F5EV1013**

2030062315

Necessary accessories (optionally)

Battery compartment including 6 V battery

**ZAQCT0003**

2000109466

Power supply unit

**ACEX9001**

2030039477

Extension cable 5 m (per tap)

**ACEX9010**

2030043814

Optional accessories

Electronic module EM5 with ID 02090

**ACEV1002**

2030065092

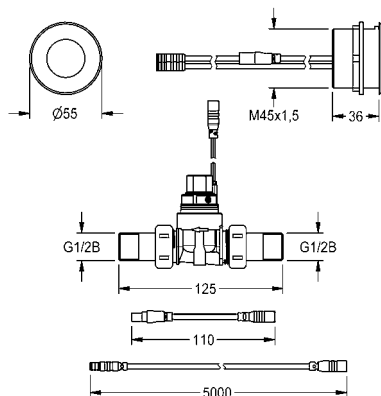
Stainless steel cover, round, diameter 136 mm, for sensor support

**ZAQUA084**

2000101054

Bidirectional remote control, two-button remote control, wall outlets, see "Washbasin tap accessories", page 58 onwards

AQUA 3000 open system accessories, see "AQUA 3000 open" section



# F5 thermostatic single-lever mixer

Type

Article Number



## F5L-Therm thermostatic single-lever pillar mixer

F5L-Therm thermostatic single-lever mixer as DN 15 pillar mixer for sanitary facilities. Thermostatically-controlled mixer cartridge with expansion element and active scald protection as well as adjustable and turn-proof temperature stop, and ceramic disc technology. With mechanism for optional hygiene unit for automatic hygiene flushing, program-controlled thermal disinfection and storage of statistical data. For connection to hot water and cold water via hoses, includes strainers. All-metal construction, high-polished chrome-plated brass. Anti-theft aerator, slim design, with integrated flow rate controller 5.0 l/min, projection 100 mm.

**F5LT1001** 2030066480

Optional accessories

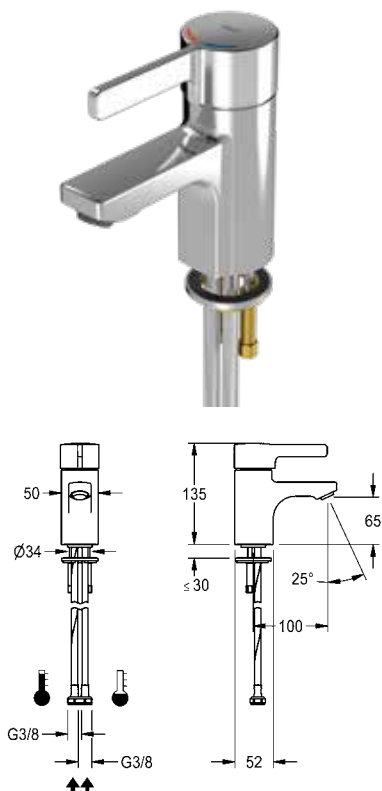
Socket for F5L single-lever pillar mixer

**ACLM1010** 2030041325

Anti-twist protection

**ACLM1009** 2030041324

ACLX1001 surface-mounted hygiene unit and ACLX1005 for in-wall installation, see page 31



## F5L-Therm thermostatic single-lever pillar mixer

F5L-Therm thermostatic single-lever mixer as DN 15 pillar mixer for sanitary facilities. Thermostatically-controlled mixer cartridge with expansion element and active scald protection as well as adjustable and turn-proof temperature stop, and ceramic disc technology. With mechanism for optional hygiene unit for automatic hygiene flushing, program-controlled thermal disinfection and storage of statistical data. For connection to hot water and cold water via hoses, includes strainers. All-metal construction, high-polished chrome-plated brass. Anti-theft aerator, SLIM design, with integrated flow rate controller 5.0 l/min, projection 125 mm.

**F5LT1002** 2030066481

Optional accessories

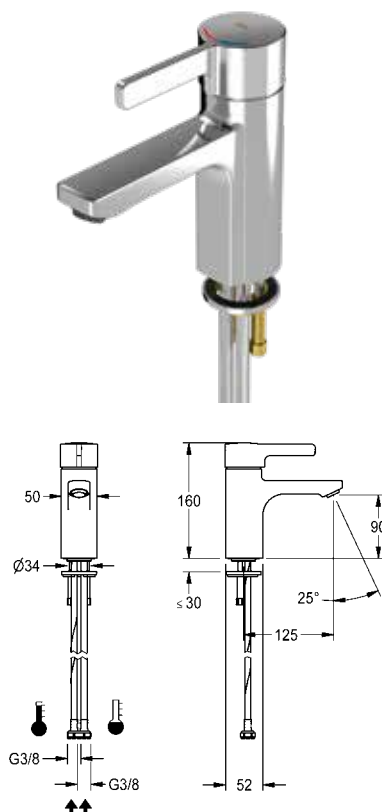
Socket for F5L single-lever pillar mixer

**ACLM1010** 2030041325

Anti-twist protection

**ACLM1009** 2030041324

ACLX1003 surface-mounted hygiene unit and ACLX1007 for in-wall installation, see page 31



Type

Article Number



### F5L-Therm thermostatic single-lever pillar mixer, barrier-free

F5L-Therm thermostatic single-lever mixer as DN 15 pillar mixer for accessible sanitary facilities, lever length 150 mm. Thermostatically-controlled mixer cartridge with expansion element and active scald protection as well as adjustable and turn-proof temperature stop, and ceramic disc technology. With mechanism for optional hygiene unit for automatic hygiene flushing and program-controlled thermal disinfection and storage of statistical data. Lever cap in ergonomic bracket design, with slight curvature in the front and basalt-grey coating, in line with two-senses principle (tactile and visual). For connection to hot water and cold water via hoses, includes strainers. All-metal construction, high-polished chrome-plated brass. Laminar jet regulator with integrated flow rate controller 6.0 l/min, Projection 125 mm.

**F5LT1010** 2030066301

With connection pipes

**F5LT1011** 2030066489

Optional accessories

Socket for F5L single-lever pillar mixer

**ACLM1010** 2030041325

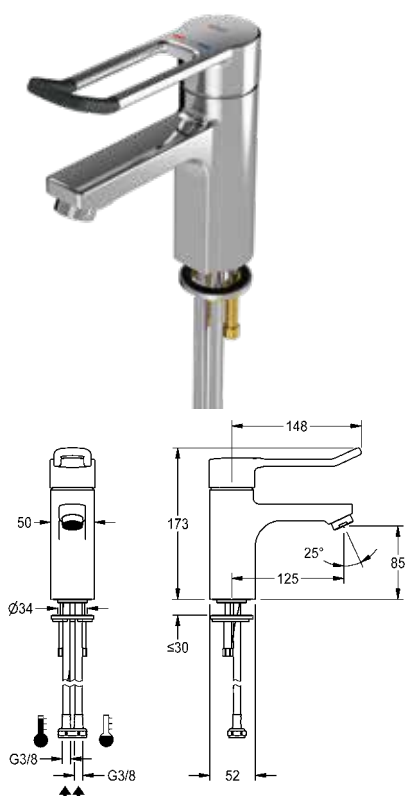
Anti-twist protection

**ACLM1009** 2030041324

Theft-proof housing for aerator

**ZTAPS0005** 2000104778

ACLX1003 surface-mounted hygiene unit and ACLX1007 for in-wall installation, see page 31



### F5L-Therm thermostatic single-lever pillar mixer with pull rod

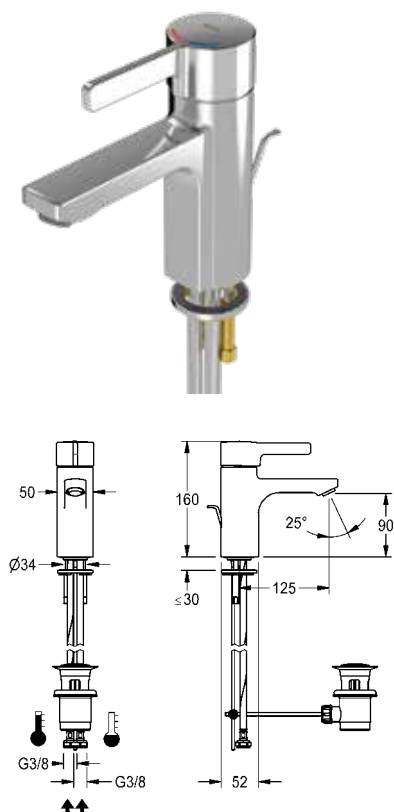
F5L-Therm thermostatic single-lever mixer as DN 15 pillar mixer for sanitary facilities. Thermostatically-controlled mixer cartridge with expansion element and active scald protection as well as adjustable and turn-proof temperature stop, and ceramic disc technology. For connection to hot water and cold water via hoses, includes strainers. All-metal construction, high-polished chrome-plated brass. Anti-theft aerator, SLIM design, with integrated flow rate controller 5.0 l/min, projection 125 mm. With pop-up waste set drain fitting G 1 1/4 mm, chrome-plated.

**F5LT1003** 2030066482

Optional accessories

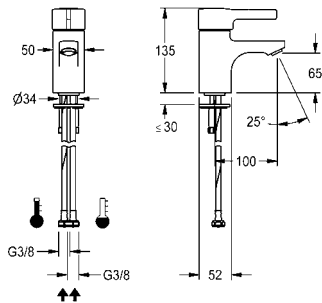
Anti-twist protection

**ACLM1009** 2030041324



# F5 single-lever mixer, accessories

Type	Article Number
------	----------------



## F5L-Mix single-lever pillar mixer

F5L-Mix single-lever pillar mixer DN 15 for sanitary facilities. Mixer cartridge with ceramic disc technology and adjustable, turn-proof temperature stop. With mechanism for optional hygiene unit for automatic hygiene flushing, program-controlled thermal disinfection and storage of statistical data. For connection to hot water and cold water via hoses, includes strainers. All-metal construction, high-polished chrome-plated brass. Anti-theft aerator, SLIM design, with integrated flow rate controller 5.0 l/min, projection 100 mm.

**F5LM1033** 2030066466

Optional accessories

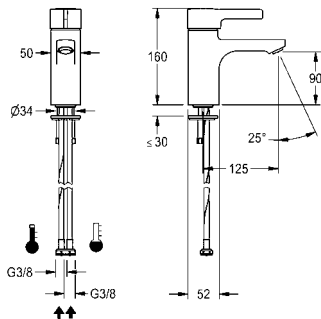
Socket for F5L single-lever pillar mixer

**ACLM1010** 2030041325

Anti-twist protection

**ACLM1009** 2030041324

ACLX1001 surface-mounted hygiene unit and ACLX1005 for in-wall installation, see page 31



## F5L-Mix single-lever pillar mixer

F5L-Mix single-lever pillar mixer DN 15 for sanitary facilities. Mixer cartridge with ceramic disc technology and adjustable, turn-proof temperature stop. With mechanism for optional hygiene unit for automatic hygiene flushing, program-controlled thermal disinfection (additional bypass solenoid-operated flush valve cartridge necessary) and storage of statistical data. For connection to hot water and cold water via hoses, includes strainers. All-metal construction, high-polished chrome-plated brass. Anti-theft aerator, SLIM design, with integrated flow rate controller 5.0 l/min, projection 125 mm.

**F5LM1034** 2030066467

Optional accessories

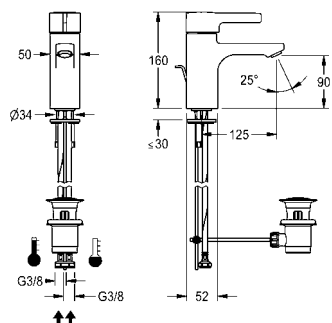
Socket for F5L single-lever pillar mixer

**ACLM1010** 2030041325

Anti-twist protection

**ACLM1009** 2030041324

ACLX1003 surface-mounted hygiene unit and ACLX1007 for in-wall installation, see page 31



## F5L-Mix single-lever pillar mixer with pull rod

F5L-Mix single-lever pillar mixer DN 15 for sanitary facilities. Mixer cartridge with ceramic disc technology and adjustable, turn-proof temperature stop. For connection to hot water and cold water via hoses, includes strainers. All-metal construction, high-polished chrome-plated brass. Anti-theft aerator, SLIM design, with integrated flow rate controller 5.0 l/min, projection 125 mm. With pop-up waste set drain fitting G 1 1/4 mm, chrome-plated.

**F5LM1035** 2030066468

Optional accessories

Anti-twist protection

**ACLM1009** 2030041324

Type

Article Number



### Hygiene unit for F5L single-lever mixers

Hygiene unit for F5L single lever mixer, projection 100 mm, for performing automatic hygiene flushing and program-controlled thermal disinfection. Function block with 2 solenoid valve cartridges and electronic control unit made of plastic for wall-mounting, for battery or mains operation, 6 V DC. Activated water hygiene flushing, fixed interval of 24 hours and saving of statistical data. With option for parameterization and communication via optional, bidirectional remote control.

**ACLX1001** 2030068985

Hygiene unit for surface-mounting for F5L single-lever mixers with projection 125 mm

**ACLX1003** 2030068986

Necessary accessories (optionally)

Battery compartment including 6 V battery

**ZAQCT0003** 2000109466

Power supply unit 100-240 V AC - 6.75 V DC

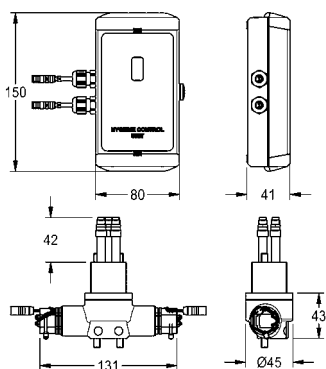
**ACEX9002** 2030039823

Optional accessories

Bidirectional remote control, two-button remote control, see page 61

Note:

The F5L single lever mixer must be ordered separately. **Cannot** be combined with base for raising the valve body and with anti-twist protection.



### Hygiene unit for in-wall installation for F5L single lever mixers

Hygiene unit for F5L single lever mixer, projection 100 mm, for performing automatic hygiene flushing and program-controlled thermal disinfection. Function block with 2 solenoid valve cartridges and an electronic control unit for installation in walls with flush box and cover made of plastic 150 x 80 mm, for battery or mains operation, 6 V DC. Activated water hygiene flushing, fixed interval of 24 hours and saving of statistical data. With option for parameterization and communication via optional, bidirectional remote control.

**ACLX1005** 2030068987

Hygiene unit for in-wall installation for single lever mixers with projection 125 mm

**ACLX1007** 2030068988

Necessary accessories (optionally)

Battery compartment including 6 V battery

**ZAQCT0003** 2000109466

Power supply for installation in the wall with connecting cable 1 m

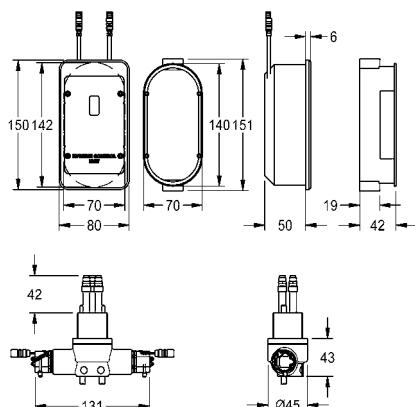
**ACEX9003** 2030039825

Optional accessories

Bidirectional remote control, two-button remote control, see page 61

Note:

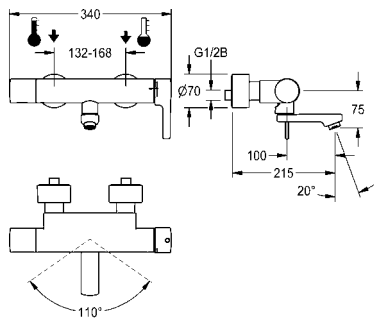
The F5L single lever mixer must be ordered separately. **Cannot** be combined with base for raising the valve body and with anti-twist protection.



# F5 thermostatic single-lever mixer, F5 hybrid kitchen fitting

Type

Article Number



## F5L-Therm thermostatic single-lever wall-mounted mixer

F5L-Therm thermostatic single-lever mixer as DN 15 wall-mounted mixer for wall mounting with lockable swivelling spout, for sanitary facilities. Thermostatically-controlled mixer cartridge with expansion element and active scald protection as well as adjustable and turn-proof temperature stop, and ceramic disc technology. **With pre-assembled hygiene unit** including 6 V lithium battery (CR P2) for automatic hygiene flushing and program-controlled thermal disinfection (additional bypass solenoid-operated flush valve cartridge necessary) and storage of statistical data. For connection to hot and cold water. Scald-protection, safe-touch housing, all-metal construction, high-polished chrome-plated brass. Laminar jet controller with integrated flow rate controller 6.0 l/min. With adjustable and lockable connections with backflow preventers and strainers, fully covered by depth-adjustable screw rosettes. Projection 215 mm. Activated hygiene flushing, fixed interval of 24 hours. With option for parameterization and communication via optional, bidirectional remote control.

**F5LT1013** 2030066491

Projection 155 mm

**F5LT1012** 2030066490

Projection 275 mm

**F5LT1014** 2030066492

Optional accessories

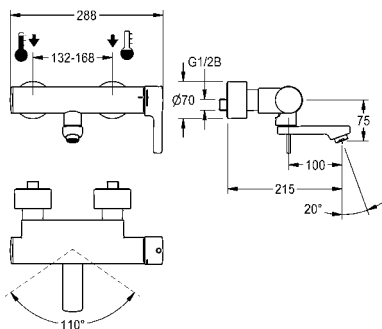
Solenoid valve cartridge DN 5, 6 V DC

**ACXX9002** 2030045522

Theft-proof housing for aerator

**ZTAPS0005** 2000104778

Bidirectional remote control, two-button remote control, see page 61



## F5L-Therm thermostatic single-lever wall-mounted mixer

F5L-Therm thermostatic single-lever mixer as DN 15 wall-mounted mixer for wall mounting with lockable swivelling spout, for sanitary facilities. Thermostatically-controlled mixer cartridge with expansion element and active scald protection as well as adjustable and turn-proof temperature stop, and ceramic disc technology. With mechanism for optional hygiene unit for automatic hygiene flushing, program-controlled thermal disinfection (additional bypass solenoid-operated flush valve cartridge necessary) and storage of statistical data. For connection to hot and cold water. Scald-protection, safe-touch housing, all-metal construction, high-polished chrome-plated brass. Laminar jet controller with integrated flow rate controller 6.0 l/min. With adjustable and lockable connections with backflow preventers and strainers, fully covered by depth-adjustable screw rosettes. Projection 215 mm.

**F5LT1005** 2030066484

Projection 155 mm

**F5LT1004** 2030066483

Projection 275 mm

**F5LT1006** 2030066486

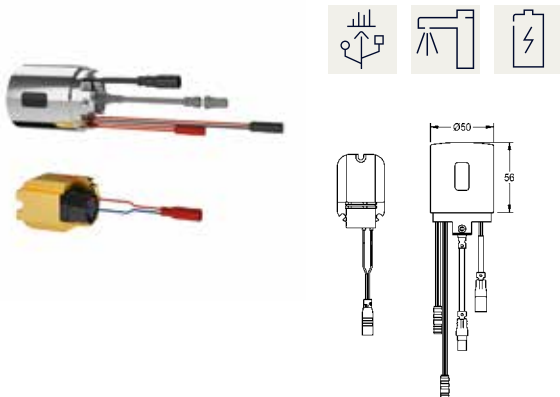
Optional accessories

Theft-proof housing for aerator

**ZTAPS0005** 2000104778

Hygiene unit

**ACLM9001** 2030039446



## Hygiene unit for F5L single-lever wall mixers

Hygiene unit for F5L single-lever mixers as wall mixers for sanitary and shower facilities, for performing of automatic hygiene flushing and program-controlled thermal disinfection (additional bypass solenoid cartridge necessary) and storage of statistical data. Housing adapter including sensor with control electronics and 6 V lithium battery (CR-P2) as well as function block with solenoid valve cartridge. Activated water hygiene flushing (30 seconds), fixed interval time 24 hours and saving of statistical data. With option for parameterization and communication via optional, bidirectional remote control.

**ACLM9001** 2030039446

Optional accessories

Solenoid valve cartridge DN 5, 6 V DC

**ACXX9002** 2030045522

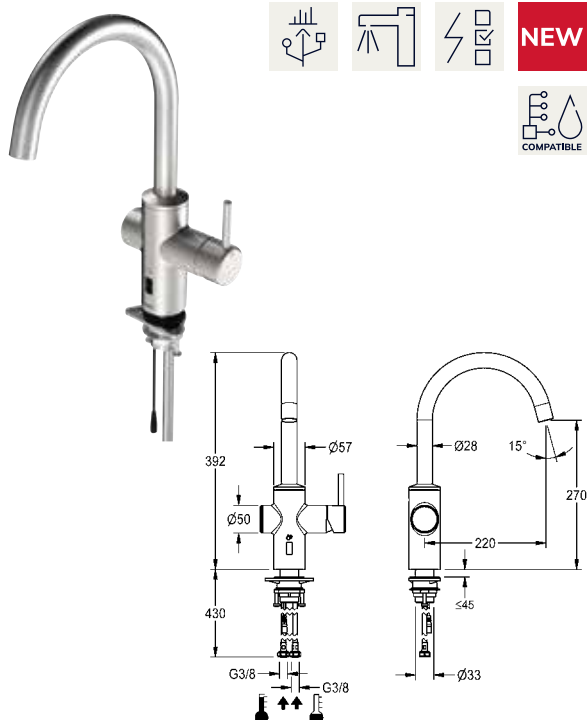
Bidirectional remote control, two-button remote control, see page 61

Overview and meaning of the symbols see page 12-13



Type

Article Number

**F5LME hybrid kitchen fitting**

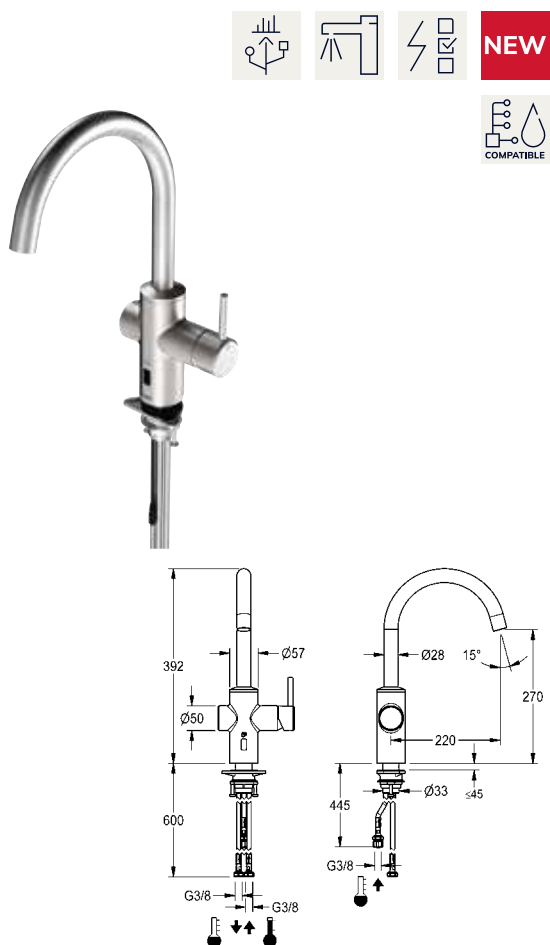
F5LME hybrid kitchen fitting DN 15 as pillar mixer with swivelling spout, can be locked in the centre position. Adjustable swivel ranges of 50°, 120° and 360°. For connection to hot water and cold water via hoses with strainers. Single lever mixer with mixer cartridge with ceramic disc technology and adjustable, turn-proof temperature stop. Alternative activation using hand reflection via an opto-electronic sensor for time-controlled water release with preset mixing water temperature. Mixer cartridge, solenoid valve and sensor with control electronics in all-metal housing, brushed stainless steel. Laminar jet controller with integrated flow rate controller (8.0 l/min). Projection 220 mm. Activated water hygiene flushing 24 hours after last activation, safety switch-off for continuous reflection and saving of statistical data. With option for parametrisation and communication via optional, bidirectional remote control. Optionally for battery operation with battery compartment including 6 V lithium battery (CR-P2) per fitting for installation under the kitchen sink or for separate power supply via 6.75 V/12 V DC power supply unit or AQUA 3000 open system accessories.

Battery compartment including battery or power supply unit with extension cable must be ordered separately.

**F5LME001** 2030061048

Necessary and optional accessories see below

**Available from April 2023**

**F5LME hybrid kitchen fitting for hot water heater**

F5LME hybrid kitchen fitting DN 15 as pillar mixer with swivelling spout, can be locked in the centre position. Adjustable swivel ranges of 50°, 120° and 360°. To the connection via hoses in open undercounter boilers. Single lever mixer with mixer cartridge with ceramic disc technology and adjustable, turn-proof temperature stop. Alternative activation using hand reflection via an opto-electronic sensor for time-controlled water release with preset mixing water temperature. Mixer cartridge, solenoid valve and sensor with control electronics in all-metal housing, brushed stainless steel. With beam shaper. Projection 220 mm. Activated water hygiene flushing 24 hours after last activation, safety switch-off for continuous reflection and saving of statistical data. With option for parametrisation and communication via optional, bidirectional remote control. Optionally for battery operation with battery compartment including 6 V lithium battery (CR-P2) per fitting for installation under the kitchen sink or for separate power supply via 6.75 V/12 V DC power supply unit or AQUA 3000 open system accessories.

Battery compartment including battery or power supply unit with extension cable must be ordered separately.

**F5LME002** 2030061065

**Available from April 2023**

Necessary accessories (optionally)

Battery compartment including 6 V battery

**ZAQCT0003** 2000109466

Power supply unit

**ACEX9001** 2030039477

Extension cable 5 m (per tap)

**ACEX9010** 2030043814

Power supply unit 100-240 V AC - 6.75 V DC

**ACEX9002** 2030039823

Power supply for installation in the wall with connecting cable 1 m

**ACEX9003** 2030039825

Optional accessories

Electronic module EM5 with ID 02160

**ACEM1001** 3600000504

Electronic module EM5 with ID 02160, with flush box

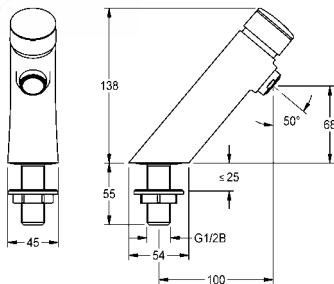
**ACEM1002** 3600000505

Bidirectional remote control, two-button remote control, see page 61

Overview and meaning of the symbols see page 12-13

# F3 self-closing valves and mixers

Type	Article Number
------	----------------



## F3S self-closing pillar tap

F3S Self-closing pillar tap DN 15 for sanitary facilities. Self-closing cartridge, hydraulically controlled, piston-free design, self-closing, stepless adjustment of flow duration. For connection to pre-mixed hot water or cold water. Casing, high-polished chromium-plated brass. Aerator with an integrated flow regulator 3.0 l/min.

**F3SV1001** 2030034410

with anti-blocking system 2 (ABS2) for safety switch-off when actuated continuously

**F3SV1004** 2030049135

Optional accessories

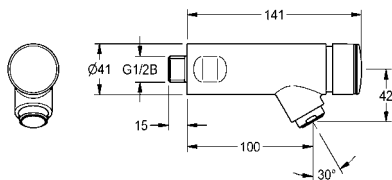
Anti-twist protection

**ACSV1001** 2030041946

Theft-proof housing for aerator

**ZTAPS0005** 2000104778

Under-table thermostat, additional aerators, see "Washbasin tap accessories", page 58 onwards



## F3S self-closing bib tap

F3S self-closing bib tap DN 15 for wall mounting for sanitary facilities. Self-closing cartridge, hydraulically controlled, piston-free design, self-closing, stepless adjustment of flow duration. For connection to pre-mixed hot water or cold water. Casing, high-polished chromium-plated brass. Aerator with an integrated flow regulator 3.0 l/min.

**F3SV1002** 2030034413

with anti-blocking system 2 (ABS2) for safety switch-off when actuated continuously

**F3SV1005** 2030049137

Optional accessories

Theft-proof housing for aerator

**ZTAPS0005** 2000104778

Rosette for compensating length

**ZAQUA003** 2000101432

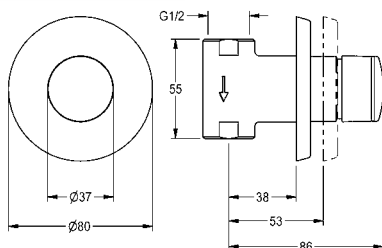
Extension adapter, stackable (30 mm)

**ZAQUA002** 2000101433

Outlet extension

**AQRM909** 2000101463

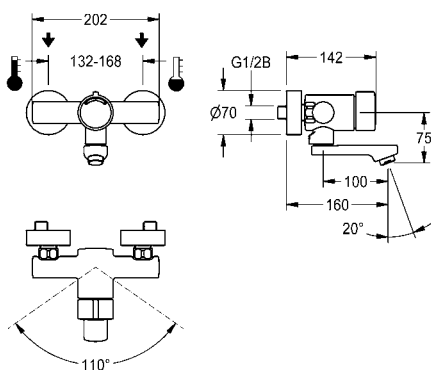
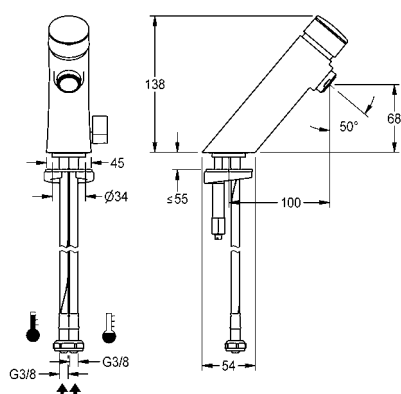
Additional aerators, see "Washbasin tap accessories", page 58 onwards



## F3S self-closing gate valve

F3S self-closing DN 15 shower valve for wall mounting with noise-reducing styrene cladding. Self-closing hydraulically controlled functional part with a piston-free design, and continuously adjustable flow duration. For connection to pre-mixed hot water or cold water. Housing includes shuttle valve position, with interior thread G 1/2, visible parts made of high-polished chrome-plated brass. With rosette, depth adjustability 15 mm.

**F3SV1003** 2030048760



Type	Article Number
------	----------------

### F3S-Mix self-closing pillar mixer

F3S-Mix self-closing pillar mixer DN 15 for sanitary facilities. Self-closing cartridge, hydraulically controlled, piston-free design, self-closing, stepless adjustment of flow duration. For connection to hot water and cold water via hoses with integrated backflow preventer and strainers. Temperature lever with adjustable, turn-proof temperature stop. Casing, high-polished chromium-plated brass. Aerator with an integrated flow regulator 3.0 l/min.

**F3SM1001** 2030034411

with anti-blocking system 2 (ABS2) for safety switch-off when actuated continuously

**F3SM1008** 2030049136

Optional accessories

Theft-proof housing for aerator

**ZTAPS0005** 2000104778

Anti-twist protection

**ACXX1001** 2030035383

Under-table thermostat, additional aerators, see "Washbasin tap accessories", page 58 onwards

### F3S-Mix self-closing wall-mounted mixer

F3S-Mix self-closing wall-mounted mixer DN 15 as single-mixer tap for wall mounting with lockable swivelling spout, for sanitary facilities. Self-closing mixing cartridge, hydraulically controlled, piston-free design, self-closing, stepless adjustment of flow duration. With adjustable, turn-proof temperature stop. Connects to hot and cold water. Casing, high-polished chromium-plated brass. Laminar jet controller with integrated flow regulator 6.0 l/min. With adjustable connections, backflow preventer, strainers and screw rosettes. Projection 160 mm.

**F3SM1003** 2030036196

Projection 100 mm

**F3SM1002** 2030036195

Projection 220 mm

**F3SM1004** 2030036197

with projection 100 mm and **aerator** with flow regulator **3.0 l/min**

**F3SM1005** 2030039562

with projection 160 mm and **aerator** with flow regulator **3.0 l/min**

**F3SM1006** 2030040037

with projection 220 mm and **aerator** with flow regulator **3.0 l/min**

**F3SM1007** 2030040038

Optional accessories

Theft-proof housing for aerator

**ZTAPS0005** 2000104778

Adjustable and lockable screw connection, packing unit 2 pieces

**ACXX9001** 2030041416

Additional aerators, see "Washbasin tap accessories", page 58 onwards

# F3 electronic valves

Type	Article Number
------	----------------



## F3E electronic pillar tap with battery compartment

F3E pillar tap DN 15 for sanitary facilities, opto-electronically controlled. For connection to pre-mixed hot or cold water via hose and strainer. Control electronics, solenoid valve cartridge and sensor in all-metal housing, high-polished chromium-plated brass. Aerator with integrated flow regulator 6.0 l/min. Activated water hygiene flushing 24 hours after last activation, safety switch-off with continuous reflection and saving of statistical data. With option for parameterization and communication via optional, bidirectional remote control. With battery compartment including 6 V lithium battery (CR-P2) for installation under the washbasin.

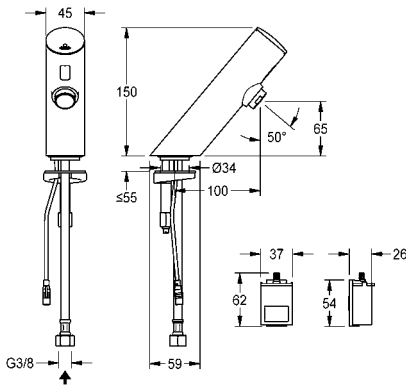
**F3EV1001** 2030033385

with flow regulator 3.0 l/min

**F3EV1006** 2030039462

### Optional accessories

Bidirectional remote control, two-button remote control, under-table thermostat, additional aerators, see "Washbasin tap accessories", page 58 onwards



## F3E electronic pillar tap with plug-in power supply unit

F3E pillar tap DN 15 for sanitary facilities, opto-electronically controlled. For connection to pre-mixed hot or cold water via hose and strainer. Control electronics, solenoid valve cartridge and sensor in all-metal housing, high-polished chromium-plated brass. Aerator with integrated flow regulator 6.0 l/min. Activated water hygiene flushing 24 hours after last activation, safety switch-off with continuous reflection and saving of statistical data. With option for parameterization and communication via optional, bidirectional remote control. With 100 - 240 V AC plug-in power supply unit.

**F3EV1002** 2030033387

with flow regulator 3.0 l/min

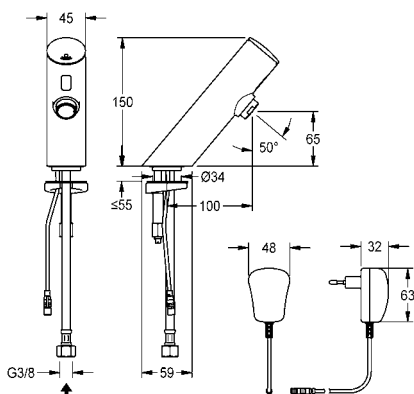
**F3EV1007** 2030039463

### Optional accessories

Extension cable 5 m

**ACEX9010** 2030043814

Bidirectional remote control, two-button remote control, under-table thermostat, additional aerators, see "Washbasin tap accessories", page 58 onwards



Type

Article Number

**F3E electronic pillar tap with in-wall power supply**

F3E pillar tap DN 15 for sanitary facilities, opto-electronically controlled. For connection to pre-mixed hot or cold water via hose and strainer. Control electronics, solenoid valve cartridge and sensor in all-metal housing, high-polished chromium-plated brass. Aerator with integrated flow regulator 6.0 l/min. Activated water hygiene flushing 24 hours after last activation, safety switch-off with continuous reflection and saving of statistical data. With option for parameterization and communication via optional, bidirectional remote control. With in-wall power supply 100 - 240 V AC.

**F3EV1003** 2030033544

with flow regulator 3.0 l/min

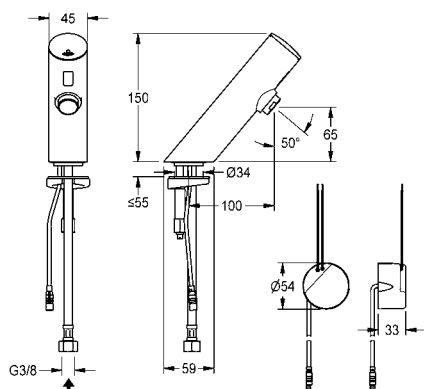
**F3EV1008** 2030039464

Optional accessories

Extension cable 5 m

**ACEX9010** 2030043814

Bidirectional remote control, two-button remote control, under-table thermostat, additional aerators, see "Washbasin tap accessories", page 58 onwards

**F3E electronic pillar tap for separate power supply**

F3E pillar tap DN 15 for sanitary facilities, opto-electronically controlled. For connection to pre-mixed hot or cold water via hose and strainer. Control electronics, solenoid valve cartridge and sensor in all-metal housing, high-polished chromium-plated brass. Aerator with integrated flow regulator 6.0 l/min. Activated water hygiene flushing 24 hours after last activation, safety switch-off with continuous reflection and saving of statistical data. With option for parameterization and communication via optional, bidirectional remote control. Separate power supply via power supply unit 6.75 V / 12 V DC.

**F3EV1005** 2030039459

with flow regulator 3.0 l/min

**F3EV1009** 2030039465

Necessary accessories

Power supply unit

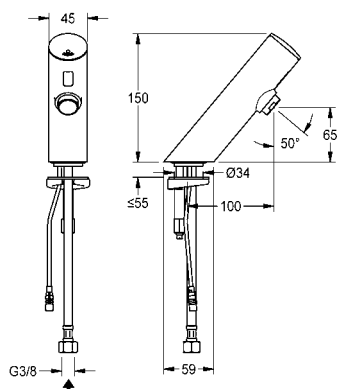
**ACEX9001** 2030039477

Extension cable 5 m (per tap)

**ACEX9010** 2030043814

Optional accessories

Bidirectional remote control, two-button remote control, under-table thermostat, additional aerators, see "Washbasin tap accessories", page 58 onwards



# F3 electronic valves

Type	Article Number
------	----------------



## F3E Electronic bib tap with battery operation

F3E bib tap DN 15 for wall mounting for sanitary facilities, opto-electronically controlled. For connection to pre-mixed hot or cold water. Control electronics, solenoid valve cartridge, 6 V lithium battery (CR-P2) and sensor in all-metal housing, high-polished chromium-plated brass. Aerator with integrated flow regulator 6.0 l/min. Activated water hygiene flushing 24 hours after last activation, safety switch-off with continuous reflection and saving of statistical data. With option for parameterization and communication via optional, bidirectional remote control.



**F3EV1004** 2030036177

with flow regulator 3.0 l/min

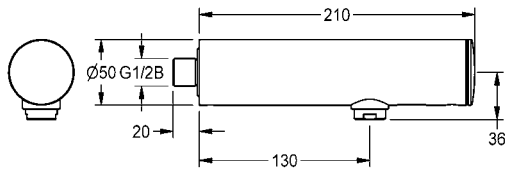
**F3EV1022** 2030040224

Optional accessories

Extension adapter, 30 mm, 1-times stackable, polished chromium-plated brass

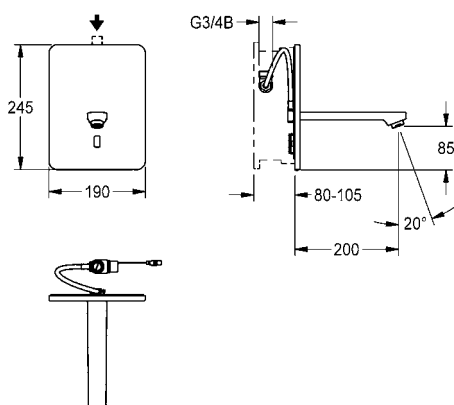
**ACEV1001** 2030043823

Bidirectional remote control, two-button remote control, additional aerators, see "Washbasin tap accessories", page 58 onwards



Type

Article Number



### F3E Electronic in-wall tap for separate power supply

F3E washbasin tap DN 15 as finished installation kit for in-wall installation in basic installation kit, for sanitary facilities. Opto-electronically controlled, for connection to pre-mixed hot water or cold water. With solenoid valve, holding frame with profile seal, stainless steel cover plate 190 x 245 mm with covered screw fixing including sensor with control electronics and strainer. Visible parts made of high-polished chromium-plated brass. Spout with laminar jet controller with integrated flow regulator 6.0 l/min. Projection 200 mm, depth adjustability 25 mm. Activated water hygiene flushing 24 hours after last activation, safety switch-off with continuous reflection and saving of statistical data. With option for parameterization and communication via optional, bidirectional remote control. Separate power supply via power supply unit 6.75 V / 12 V DC.

Projection 200 mm

**F3EV1017** 2030040096

Projection 140 mm

**F3EV1016** 2030040095

Projection 260 mm

**F3EV1018** 2030040098with projection 140 mm and **aerator** with flow regulator **3.0 l/min****F3EV1019** 2030040103with projection 200 mm and **aerator** with flow regulator **3.0 l/min****F3EV1020** 2030040104with projection 260 mm and **aerator** with flow regulator **3.0 l/min****F3EV1021** 2030040105

Necessary accessories

R3 System box for in-wall taps

**F3BV1001** 2030036142

Power supply unit

**ACEX9001** 2030039477

Extension cable 5 m (per tap)

**ACEX9010** 2030043814

Power supply for installation in the wall with connecting cable 1 m

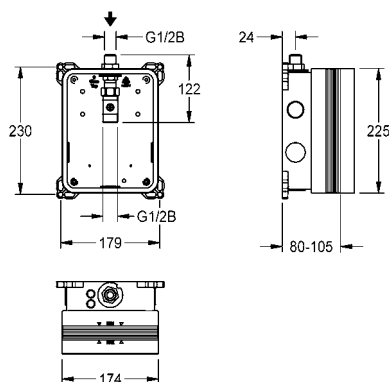
**ACEX9003** 2030039825

Optional accessories

Theft-proof housing for aerator

**ZTAPS0005** 2000104778

Bidirectional remote control, two-button remote control, additional aerators, see "Washbasin tap accessories", page 58 onwards



### R3 System box for in-wall taps

R3 basic installation kit for in-wall mounting of finished installation kits DN 15 without mixing unit, for sanitary facilities. For connection to pre-mixed hot water or cold water. System box made of plastic, 174 x 225 mm, with connection screws, shell protection, flush connector for flushing, and leak test.

**F3BV1001** 2030036142

Optional accessories

Sliding adhesive flange

**ACBX9002** 2030041606

Mounting traverse, depth adjustable, for installing shower fittings with flush-mounting cabinets in drywall, packaging unit: 2 pieces

**ZCMPX006** 2000106019



### F3E-Mix electronic pillar mixer with battery compartment

F3E-Mix pillar mixer DN 15 for sanitary facilities, opto-electronically controlled. For connection to hot and cold water via hoses with integrated backflow preventer and strainers. Control electronics, solenoid valve cartridge and sensor in all-metal housing, high-polished chromium-plated brass, with temperature lever and adjustable, turn-proof temperature stop. Aerator with integrated flow regulator 6.0 l/min. Activated water hygiene flushing 24 hours after last activation, safety switch-off with continuous reflection and saving of statistical data. With option for parameterization and communication via optional, bidirectional remote control. With battery compartment including 6 V lithium battery (CR-P2) for installation under the washbasin.



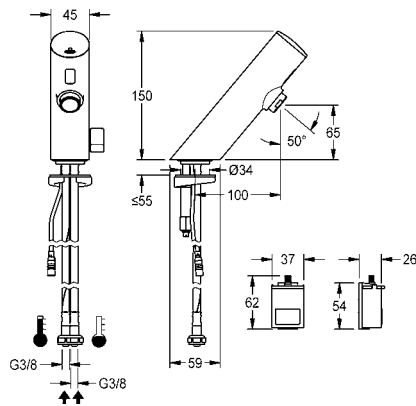
**F3EM1001** 2030033388

with flow regulator 3.0 l/min

**F3EM1006** 2030039470

#### Optional accessories

Bidirectional remote control, two-button remote control, under-table thermostat, additional aerators, see "Washbasin tap accessories", page 58 onwards



### F3E-Mix electronic pillar mixer with plug-in power supply unit

F3E-Mix pillar mixer DN 15 for sanitary facilities, opto-electronically controlled. For connection to hot and cold water via hoses with integrated backflow preventer and strainers. Control electronics, solenoid valve cartridge and sensor in all-metal housing, high-polished chromium-plated brass, with temperature lever and adjustable, turn-proof temperature stop. Aerator with integrated flow regulator 6.0 l/min. Activated water hygiene flushing 24 hours after last activation, safety switch-off with continuous reflection and saving of statistical data. With option for parameterization and communication via optional, bidirectional remote control. With 100 - 240 V AC plug-in power supply unit.



**F3EM1002** 2030033389

with flow regulator 3.0 l/min

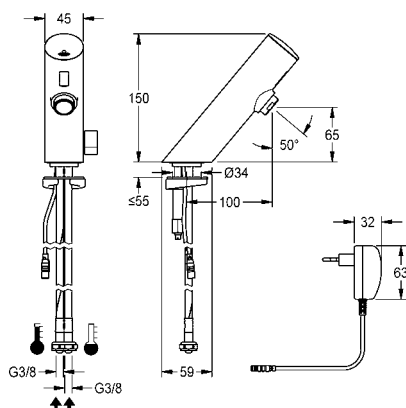
**F3EM1007** 2030039471

#### Optional accessories

Extension cable 5 m

**ACEX9010** 2030043814

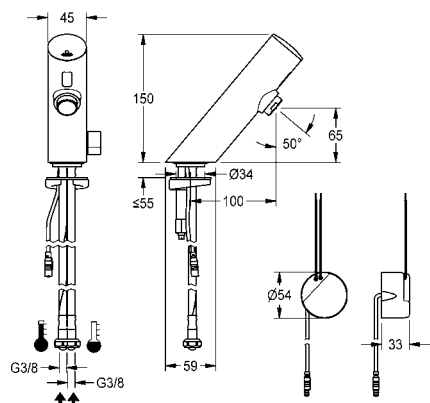
Bidirectional remote control, two-button remote control, under-table thermostat, additional aerators, see "Washbasin tap accessories", page 58 onwards





Type

Article Number

**F3E-Mix electronic pillar mixer with in-wall power supply**

F3E-Mix pillar mixer DN 15 for sanitary facilities, opto-electronically controlled. For connection to hot and cold water via hoses with integrated backflow preventer and strainers. Control electronics, solenoid valve cartridge and sensor in all-metal housing, high-polished chromium-plated brass, with temperature lever and adjustable, turn-proof temperature stop. Aerator with integrated flow regulator 6.0 l/min. Activated water hygiene flushing 24 hours after last activation, safety switch-off with continuous reflection and saving of statistical data. With option for parameterization and communication via optional, bidirectional remote control. With in-wall power supply 100 - 240 V AC.

**F3EM1003** 2030033545

with flow regulator 3.0 l/min

**F3EM1008** 2030039472

Optional accessories

Extension cable 5 m

**ACEX9010** 2030043814

Bidirectional remote control, two-button remote control, under-table thermostat, additional aerators, see "Washbasin tap accessories", page 58 onwards

**F3E-Mix electronic pillar mixer for separate power supply**

F3E-Mix pillar mixer DN 15 for sanitary facilities, opto-electronically controlled. For connection to hot and cold water via hoses with integrated backflow preventer and strainers. Control electronics, solenoid valve cartridge and sensor in all-metal housing, high-polished chromium-plated brass, with temperature lever and adjustable, turn-proof temperature stop. Aerator with integrated flow regulator 6.0 l/min. Activated water hygiene flushing 24 hours after last activation, safety switch-off with continuous reflection and saving of statistical data. With option for parameterization and communication via optional, bidirectional remote control. Separate power supply via power supply unit 6.75 V / 12 V DC.

**F3EM1005** 2030039469

with flow regulator 3.0 l/min

**F3EM1009** 2030039473

Necessary accessories

Power supply unit

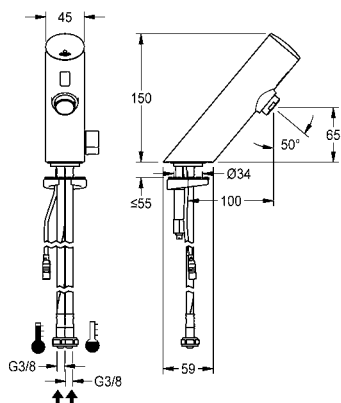
**ACEX9001** 2030039477

Extension cable 5 m (per tap)

**ACEX9010** 2030043814

Optional accessories

Bidirectional remote control, two-button remote control, under-table thermostat, additional aerators, see "Washbasin tap accessories", page 58 onwards



# F3 electronic mixers

Type

Article Number



## F3E-Mix Electronic in-wall mixer for separate power supply

F3E-Mix washbasin mixer DN 15 as finished installation kit for in-wall installation in basic installation kit, for sanitary facilities. Opto-electronically controlled, for connection to hot water and cold water. Connection block with integrated solenoid valve cartridge, mixer shaft and hoses with integrated backflow preventer and strainers. Stainless steel cover plate 190 x 245 mm with covered screw fixing including sensor with control electronics and temperature lever with adjustable, turn-proof temperature stop. With holding frame with profile seal and spout with laminar jet controller with integrated flow regulator 6.0 l/min. Projection 200 mm, depth adjustability 25 mm. Visible parts made of high-polished chromium-plated brass. Activated water hygiene flushing 24 hours after last activation, safety switch-off with continuous reflection and saving of statistical data. With option for parameterization and communication via optional, bidirectional remote control. Separate power supply via power supply unit 6.75 V / 12 V DC.



Projection 200 mm

**F3EM1017** 2030040125

Projection 140 mm

**F3EM1016** 2030040124

Projection 260 mm

**F3EM1018** 2030040126

with projection 140 mm and **aerator** with flow regulator **3.0 l/min**

**F3EM1019** 2030040127

with projection 200 mm and **aerator** with flow regulator **3.0 l/min**

**F3EM1020** 2030040128

with projection 260 mm and **aerator** with flow regulator **3.0 l/min**

**F3EM1021** 2030040130

Necessary accessories

R3 System box for in-wall mixers

**F3BX1001** 2030040479

**OR:** R5 system box with lockable screw connections and sliding adhesive flange, for in-wall mixers

**F5BX1001** 2030028992

Battery compartment including 6 V battery

**ZAQCT0003** 2000109466

Power supply unit

**ACEX9001** 2030039477

Extension cable 5 m (per tap)

**ACEX9010** 2030043814

Power supply for installation in the wall with connecting cable 1 m

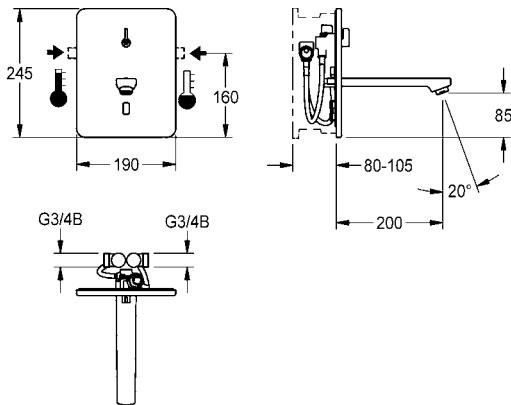
**ACEX9003** 2030039825

Optional accessories

Theft-proof housing for aerator

**ZTAPS0005** 2000104778

Bidirectional remote control, two-button remote control, additional aerators, see "Washbasin tap accessories", page 58 onwards



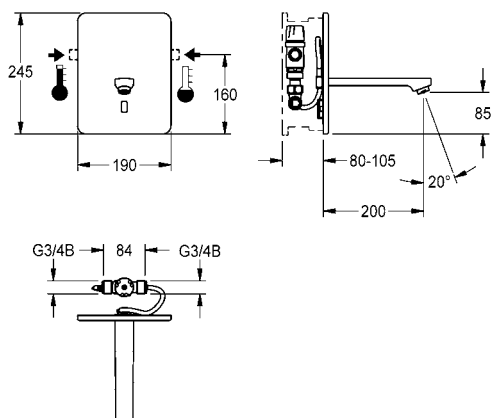
Type

Article Number



### F3E-Therm Electronic thermostatic in-wall mixer for separate power supply

F3E-Therm thermostatic mixer DN 15 as finished installation kit for in-wall installation in basic installation kit, for sanitary facilities. Opto-electronically controlled, for connection to hot water and cold water. Connection block with integrated solenoid valve cartridge, hidden thermostat and hoses with integrated backflow preventer and strainers. Stainless steel cover plate 190 x 245 mm with covered screw fixing including sensor with control electronics. With holding frame with profile seal and spout with laminar jet controller with integrated flow regulator 6.0 l/min. Projection 200 mm, depth adjustability 25 mm. Visible parts made of high-polished chromium-plated brass. Activated water hygiene flushing 24 hours after last activation, safety switch-off with continuous reflection and saving of statistical data. With option for parameterization and communication via optional, bidirectional remote control. Separate power supply via power supply unit 6.75 V / 12 V DC.



Projection 200 mm

**F3ET1011** 2030040202

Projection 140 mm

**F3ET1010** 2030040200

Projection 260 mm

**F3ET1012** 2030040217

Necessary accessories

R3 System box for in-wall mixers

**F3BX1001** 2030040479**OR:** R5 system box with lockable screw connections and sliding adhesive flange, for in-wall mixers**F5BX1001** 2030028992

Battery compartment including 6 V battery

**ZAQCT0003** 2000109466

Power supply unit

**ACEX9001** 2030039477

Extension cable 5 m (per tap)

**ACEX9010** 2030043814

Power supply for installation in the wall with connecting cable 1 m

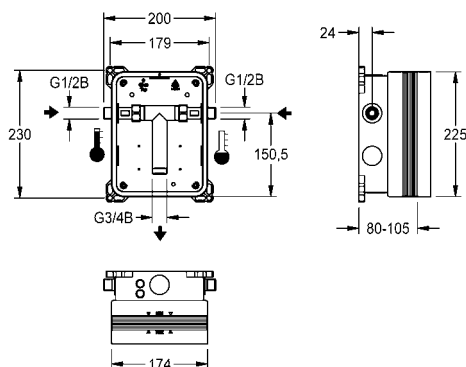
**ACEX9003** 2030039825

Optional accessories

Theft-proof housing for aerator

**ZTAPS0005** 2000104778

Bidirectional remote control, two-button remote control, additional aerators, see "Washbasin tap accessories", page 58 onwards



### R3 System box for in-wall mixers

R3 basic installation kit for in-wall mounting of finished installation kits DN 15 with mixing unit, for sanitary facilities. For connection to hot and cold water. System box made of plastic, 174 x 225 mm, with connection screws, shell protection, flush connector for flushing, and leak test.

**F3BX1001** 2030040479

Optional accessories

Sliding adhesive flange

**ACBX9002** 2030041606

Mounting traverse, depth adjustable, for installing shower fittings with flush-mounting cabinets in drywall, packaging unit: 2 pieces

**ZCMPX006** 2000106019

# F3 electronic thermostatic mixers, self-closing taps

Type

Article Number



## F3E-Therm electronic thermostatic wall-mounted mixer

F3E-Therm thermostatic mixer DN 15 for wall mounting with lockable swivelling spout, for sanitary facilities. Opto-electronically controlled, triggered via hand movement. Thermostat with metal handle with adjustable and turn-proof temperature stop. With the option of manual thermal disinfection. For connection to hot and cold water. Control electronics, solenoid valve cartridge, 6 V lithium battery (CR-P2) and sensor in all-metal housing, high-polished chromium-plated brass. Laminar jet controller with integrated flow regulator 6.0 l/min. With adjustable connections with back-flow preventer, strainers and screw rosettes. Projection 190 mm. Activated water hygiene flushing 24 hours after last activation, safety switch-off with continuous reflection and saving of statistical data. With option for parameterization and communication via optional, bidirectional remote control.



Projection 190 mm

**F3ET1002** 2030032506

Projection 130 mm

**F3ET1001** 2030032507

Projection 250 mm

**F3ET1003** 2030026612

Optional accessories

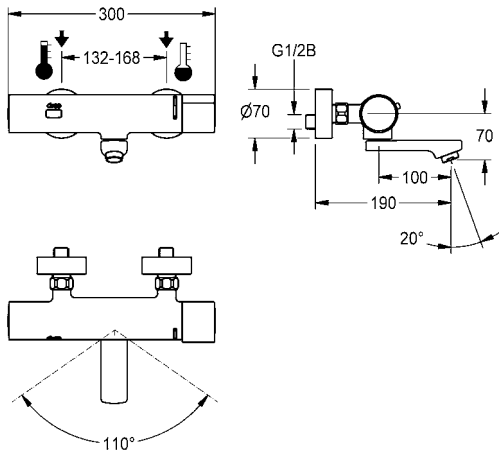
Theft-proof housing for aerator

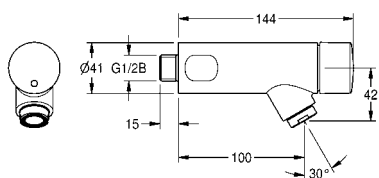
**ZTAPS0005** 2000104778

Adjustable and lockable screw connection, packing unit 2 pieces

**ACXX9001** 2030041416

Bidirectional remote control, two-button remote control, additional aerators, see "Washbasin tap accessories", page 58 onwards





Type	Article Number
------	----------------

### AQUALINE-S Self-closing pillar tap

AQUALINE-S self-closing bib tap DN 15, noise group I, for connection to cold water, flow time adjustable, all-metal construction, polished chromium-plated brass.

**AQUA205** 2000065910

for connection to pre-mixed hot water

**AQUA205W** 2000065911

Optional accessories

Rosette for compensating length

**ZAQUA003** 2000101432

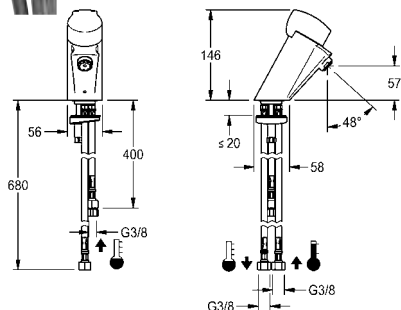
Extension adapter, stackable (30 mm)

**ZAQUA002** 2000101433

Outlet extension

**AQRM909** 2000101463

Additional aerators, see "Washbasin tap accessories", page 58 onwards



### AQUAMIX ZERO self-closing pillar mixer for hot water heaters

AQUAMIX ZERO self-closing single mixer DN 15 as pillar mixer, with open low-level domestic hot water heaters, for open low-level domestic hot water heaters, flow time adjustable, polished chromium-plated brass, with grip cap or lever cap in metal construction.

**AQRM176** 2000101062

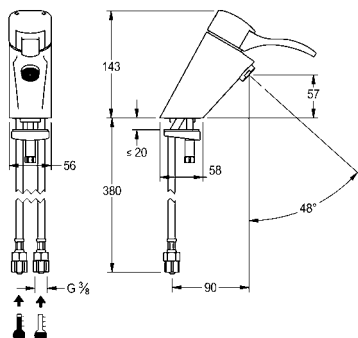
with lever cap

**AQRM173** 2000101063

Optional accessories

Low-level hot water heater, 5 litre

**ACXM1001** 2000109145



### AQUAMIX self-closing lever mixer

AQUAMIX self-closing lever mixer DN 15 as pillar mixer, for connection to hot and cold water, flow time adjustable, all-metal construction, polished chromium-plated brass.

**AQRM170** 2000101056

Optional accessories

Under-table thermostat, additional aerators, see "Washbasin tap accessories", page 58 onwards

# Electronic taps

Type

Article Number



## PROTRONIC-S electronic pillar tap with battery operation

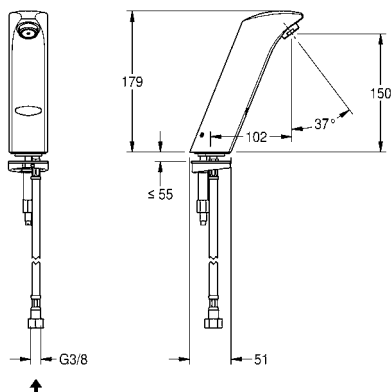
PROTRONIC-S battery-supplied washbasin tap with touch-free operation, DN 15 with aerator and integrated flow control, for connection to pre-mixed warm or cold water supply, polished chromium-plated brass, 6 V battery.

**AQUA131**

2000067774

Optional accessories

Remote control, under-table thermostat, additional aerators, see "Wash-basin tap accessories", page 58 onwards



## PROTRONIC-S electronic pillar tap with plug-in power supply unit

PROTRONIC-S mains-supplied washbasin tap with touch-free operation, DN 15 with aerator and integrated flow control, for connection to pre-mixed warm or cold water supply, polished chromium-plated brass and plug-in power supply with EU male connector, 230 V AC.

**PRTRS0011**

2030025088

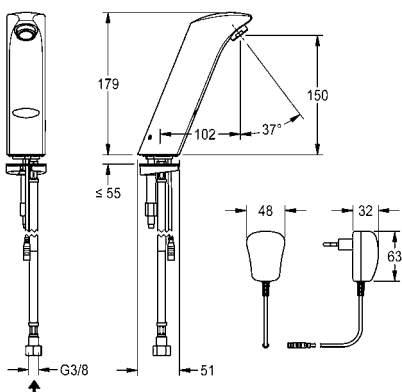
Optional accessories

Extension cable 5 m

**ACEX9010**

2030043814

Remote control, under-table thermostat, additional aerators, see "Wash-basin tap accessories", page 58 onwards



Type

Article Number

**PROTRONIC-S electronic pillar tap with in-wall power supply**

PROTRONIC-S mains-supplied washbasin tap with touch-free operation, DN 15 with aerator and integrated flow control, for connection to pre-mixed warm or cold water, polished chromium-plated brass. With power supply for installation in the wall, 230 V AC.

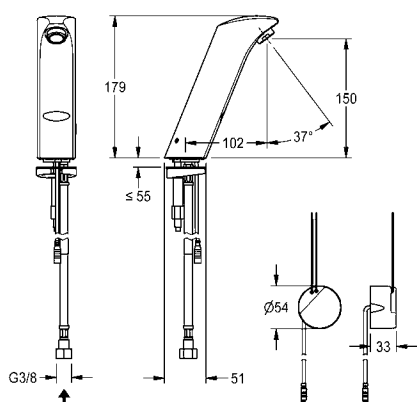
**AQUA135** 2000102697

Optional accessories

Extension cable 5 m

**ACEX9010** 2030043814

Remote control, under-table thermostat, additional aerators, see "Wash-basin tap accessories", page 58 onwards

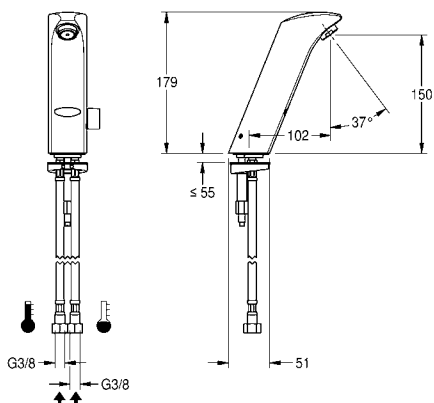
**PROTRONIC-S electronic pillar mixer with battery operation**

PROTRONIC-S battery-supplied washbasin mixer with touch-free operation, DN 15 with aerator and integrated flow control, for connection to hot and cold water supply, polished chromium-plated brass. With temperature selection lever and conversion set for concealed mixing device, 6 V battery.

**AQUA130** 2000067773

Optional accessories

Remote control, under-table thermostat, additional aerators, see "Wash-basin tap accessories", page 58 onwards



# Electronic taps, tap units

Type

Article Number



## PROTRONIC-S electronic pillar mixer with plug-in power supply unit

PROTRONIC-S mains-supplied washbasin mixer with touch-free operation, DN 15 with aerator and integrated flow control, for connection to hot and cold water supply, polished chromium-plated brass. With temperature selection lever, conversion set for concealed mixing device and plug-in power supply with EU male connector, 230 V AC.

**PRTRS0009**

2030025078

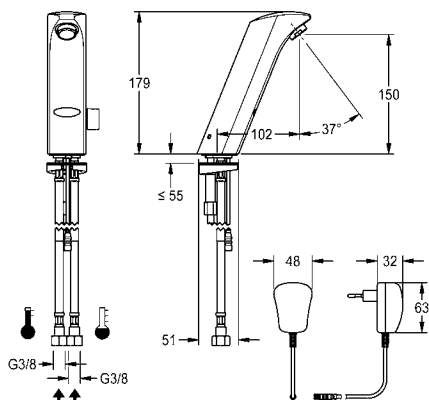
Optional accessories

Extension cable 5 m

**ACEX9010**

2030043814

Remote control, under-table thermostat, additional aerators, see "Wash-basin tap accessories", page 58 onwards



## PROTRONIC-S electronic pillar mixer with in-wall power supply

PROTRONIC-S mains-supplied washbasin mixer with touch-free operation, DN 15 with aerator and integrated flow control, for connection to hot and cold water supply, polished chromium-plated brass. With temperature selection lever, conversion set for concealed mixing device and with power supply for installation in the wall, 230 V AC.

**AQUA134**

2000102693

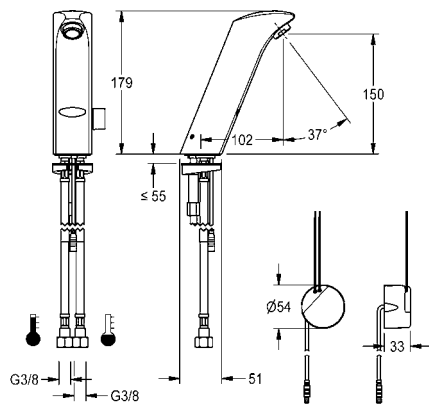
Optional accessories

Extension cable 5 m

**ACEX9010**

2030043814

Remote control, under-table thermostat, additional aerators, see "Wash-basin tap accessories", page 58 onwards





Type	Article Number
------	----------------

### Fitting unit for wall mounting

Fitting unit ready for connection with 2 wash places, for wall mounting, for connection to hot and cold water from right or left at rear. Housing made of stainless steel, satin finished with pre-assembled fitting connection blocks and connection options for power supply to electronic fittings, stainless steel piping, hanging rail and mounting materials.

Dimensions of housing 1200 x 173 x 72 mm (W x H x D)

#### Wash place width 600 mm

<b>AQFU0216</b>	2030064892
-----------------	------------

with 3 wash places, housing width 1800 mm

<b>AQFU0217</b>	2030064895
-----------------	------------

with 4 wash places, housing width 2400 mm

<b>AQFU0218</b>	2030064897
-----------------	------------

with 5 wash places, housing width 3000 mm

<b>AQFU0219</b>	2030064898
-----------------	------------

with 6 wash places, housing width 3600 mm

<b>AQFU0220</b>	2030064899
-----------------	------------

Necessary accessories (optionally)

F5S-Mix Self-closing single-mixer

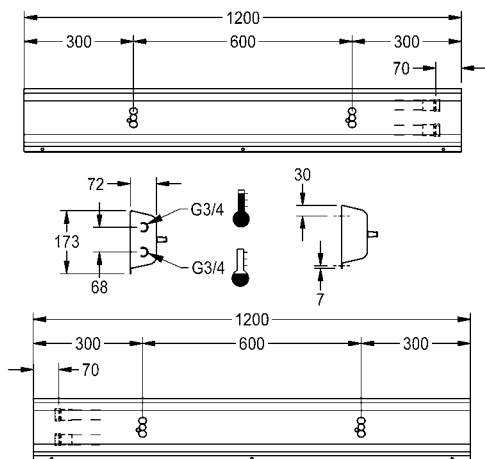
<b>F5SM1011</b>	2030058991
-----------------	------------

F5L-Therm single-lever thermostatic mixer

<b>F5LT1033</b>	2030065268
-----------------	------------

F5E-Mix Electronic washbasin mixer

<b>F5EM1015</b>	2030058995
-----------------	------------



### Fitting unit for wall mounting

Fitting unit ready for connection with 2 wash places, for wall mounting, for connection to hot and cold water from right or left at rear. Housing made of stainless steel, satin finished with pre-assembled fitting connection blocks and connection options for power supply to electronic fittings, stainless steel piping, hanging rail and mounting materials.

Dimensions of housing 1400 x 173 x 72 mm (W x H x D)

#### Wash place width 700 mm

<b>AQFU0221</b>	2030064904
-----------------	------------

with 3 wash places, housing width 2100 mm

<b>AQFU0222</b>	2030064903
-----------------	------------

with 4 wash places, housing width 2800 mm

<b>AQFU0223</b>	2030064907
-----------------	------------

with 5 wash places, housing width 3500 mm

<b>AQFU0224</b>	2030064912
-----------------	------------

with 6 wash places, housing width 4200 mm

<b>AQFU0225</b>	2030064917
-----------------	------------

Necessary accessories (optionally)

F5S-Mix Self-closing single-mixer

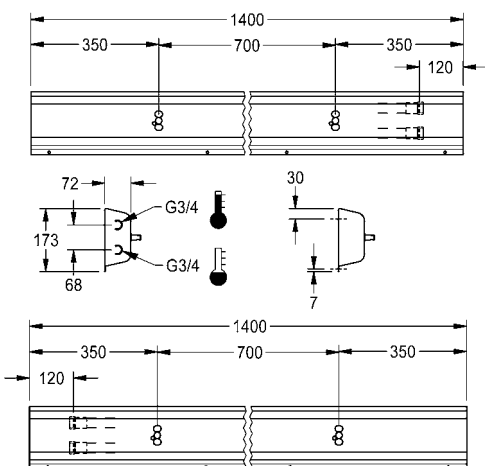
<b>F5SM1011</b>	2030058991
-----------------	------------

F5L-Therm single-lever thermostatic mixer

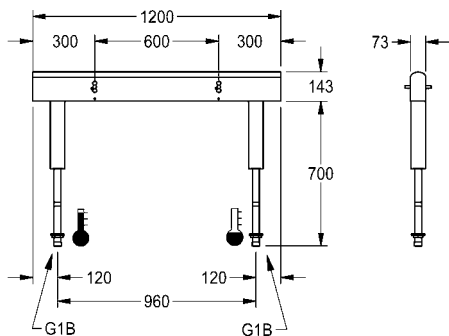
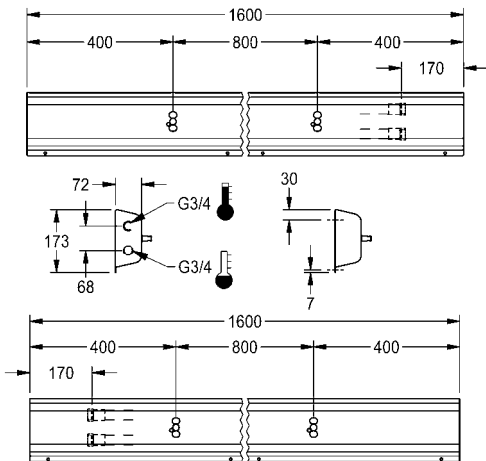
<b>F5LT1033</b>	2030065268
-----------------	------------

F5E-Mix Electronic washbasin mixer

<b>F5EM1015</b>	2030058995
-----------------	------------



# Tap units



Type	Article Number
------	----------------

## Fitting unit for wall mounting

Fitting unit ready for connection with 2 wash places, for wall mounting, for connection to hot and cold water from right or left at rear. Housing made of stainless steel, satin finished with pre-assembled fitting connection blocks and connection options for power supply to electronic fittings, stainless steel piping, hanging rail and mounting materials.

Dimensions of housing 1600 x 173 x 72 mm (W x H x D)

**Wash place width 800 mm**

**AQFU0226** 2030064918

with 3 wash places, housing width 2400 mm

**AQFU0227** 2030064919

with 4 wash places, housing width 3200 mm

**AQFU0228** 2030064920

with 5 wash places, housing width 4000 mm

**AQFU0229** 2030064921

Necessary accessories (optionally)

F5S-Mix Self-closing single-mixer

**F5SM1011** 2030058991

F5L-Therm single-lever thermostatic mixer

**F5LT1033** 2030065268

F5E-Mix Electronic washbasin mixer

**F5EM1015** 2030058995

## Fitting unit for double-row sanitary facilities

Fitting unit ready for connection with 4 wash places, for mounting on double-row sanitary facilities, for connection to hot and cold water from below via guide pipe holders. Housing made of stainless steel, satin finished with pre-assembled fitting connection blocks, connection options for power supply to electronic fittings, and stainless steel piping.

Dimensions of housing 1200 x 470 x 73 mm (W x H x D)

**Wash place width 600 mm**

**AQFU0230** 2030064965

with 6 wash places, housing width 1800 mm

**AQFU0231** 2030064966

with 8 wash places, housing width 2400 mm

**AQFU0232** 2030064967

with 10 wash places, housing width 3000 mm

**AQFU0233** 2030064969

with 12 wash places, housing width 3600 mm

**AQFU0234** 2030064971

Necessary accessories (optionally)

F5S-Mix Self-closing single-mixer

**F5SM1011** 2030058991

F5E-Mix Electronic washbasin mixer

**F5EM1015** 2030058995

F5L-Therm single-lever thermostatic mixer

**F5LT1033** 2030065268

Optional accessories

Spacer sleeve, packaging unit: 2 pieces

**ZAQFU0002** 2030021234

Installation adapter for central support column, high-polished chrome-plated brass, for PRESTIGE series with 8 or more washbasins

**ZAQFU0001** 2030021225

Type	Article Number
------	----------------

### Fitting unit for double-row sanitary facilities

Fitting unit ready for connection with 4 wash places, for mounting on double-row sanitary facilities, for connection to hot and cold water from below via guide pipe holders. Housing made of stainless steel, satin finished with pre-assembled fitting connection blocks, connection options for power supply to electronic fittings, and stainless steel piping.

Dimensions of housing 1400 x 470 x 73 mm (W x H x D)

**Wash place width 700 mm**

**AQFU0235** 2030064973

with 6 wash places, housing width 2100 mm

**AQFU0236** 2030064974

with 8 wash places, housing width 2800 mm

**AQFU0237** 2030064977

with 10 wash places, housing width 3500 mm

**AQFU0238** 2030064979

with 12 wash places, housing width 4200 mm

**AQFU0239** 2030064984

Necessary accessories (optionally)

F5S-Mix Self-closing single-mixer

**F5SM1011** 2030058991

F5L-Therm single-lever thermostatic mixer

**F5LT1033** 2030065268

F5E-Mix Electronic washbasin mixer

**F5EM1015** 2030058995

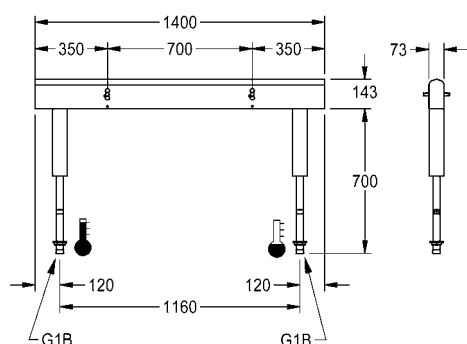
Optional accessories

Spacer sleeve, packaging unit: 2 pieces

**ZAQFU0002** 2030021234

Installation adapter for central support column, high-polished chrome-plated brass, for PRESTIGE series with 8 or more washbasins

**ZAQFU0001** 2030021225



### Fitting unit for double-row sanitary facilities

Fitting unit ready for connection with 4 wash places, for mounting on double-row sanitary facilities, for connection to hot and cold water from below via guide pipe holders. Housing made of stainless steel, satin finished with pre-assembled fitting connection blocks, connection options for power supply to electronic fittings, and stainless steel piping.

Dimensions of housing 1600 x 470 x 73 mm (W x H x D)

**Wash place width 800 mm**

**AQFU0240** 2030064986

with 6 wash places, housing width 2400 mm

**AQFU0241** 2030064987

with 8 wash places, housing width 3200 mm

**AQFU0242** 2030064988

with 10 wash places, housing width 4000 mm

**AQFU0243** 2030064992

Necessary accessories (optionally)

F5S-Mix Self-closing single-mixer

**F5SM1011** 2030058991

F5L-Therm single-lever thermostatic mixer

**F5LT1033** 2030065268

F5E-Mix Electronic washbasin mixer

**F5EM1015** 2030058995

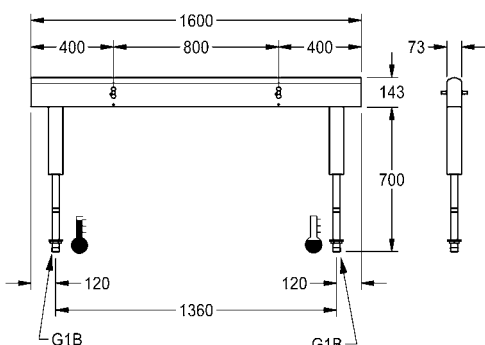
Optional accessories

Spacer sleeve, packaging unit: 2 pieces

**ZAQFU0002** 2030021234

Installation adapter for central support column, high-polished chrome-plated brass, for PRESTIGE series with 8 or more washbasins

**ZAQFU0001** 2030021225



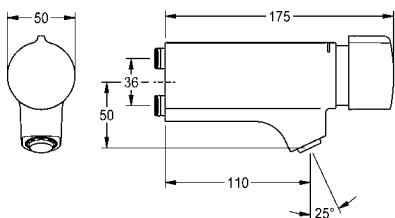
# Taps for tap units or as wall mixer with wall flange

Type	Article Number
------	----------------



## F5S-Mix Self-closing single-mixer for fitting unit or wall flange

F5S-Mix Self-closing single-mixer DN 15 with angled outlet for installation on fitting units or separate wall flanges, for sanitary facilities. FRAMIC self-closing mixing cartridge, hydraulically controlled, low-maintenance and stagnation-free, with ceramic disc technology, automatic closing, flow pressure independent due to medium-independent design. Continuously adjustable flow duration. With adjustable, turn-proof temperature stop. For connection to hot and cold water. All-metal construction, high-polished chrome-plated brass. Anti-theft aerator, SLIM design, with integrated flow regulator 5.0 l/min. Connections positioned above one another with back-flow preventers.



<b>F5SM1011</b>	2030058991
-----------------	------------

Necessary accessories (optionally)

Wall flange

<b>ACXM1002</b>	2030058762
-----------------	------------

Single clamping bridge for installation on distribution lines positioned above one another

<b>ACXM1003</b>	2030058826
-----------------	------------

Double clamping bridge for installation on distribution lines positioned next to one another

<b>ACXM1004</b>	2030059971
-----------------	------------

Optional accessories

Outlet extension

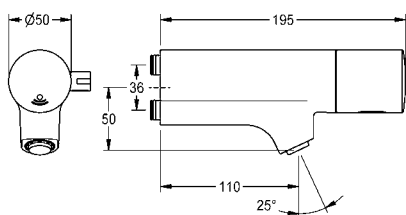
<b>AQRM909</b>	2000101463
----------------	------------

Additional aerators, see "Washbasin tap accessories", page 58 onwards



## F5E-Mix electronic washbasin mixer for fitting unit or wall flange

F5E-Mix Washbasin mixer DN 15 with angled outlet for installation on fitting units or separate wall flanges, for sanitary facilities. Opto-electronic control, activation on hand reflection. For connection to hot and cold water. Control electronics, solenoid valve cartridge, 6 V lithium battery (CR-P2) and sensor in all-metal housing, high-polished chrome-plated brass. Temperature lever with adjustable, turn-proof temperature stop. Anti-theft aerator, SLIM design, with integrated flow regulator 5.0 l/min. Connections positioned above one another with backflow preventers. Activated water hygiene flushing 24 hours after last activation, safety switch-off for continuous reflexion and saving of statistical data. With option for parameterization and communication via optional, bidirectional remote control.



<b>F5EM1015</b>	2030058995
-----------------	------------

Necessary accessories (optionally)

Wall flange

<b>ACXM1002</b>	2030058762
-----------------	------------

Single clamping bridge for installation on distribution lines positioned above one another

<b>ACXM1003</b>	2030058826
-----------------	------------

Double clamping bridge for installation on distribution lines positioned next to one another

<b>ACXM1004</b>	2030059971
-----------------	------------

Optional accessories

Bidirectional remote control, two-button remote control, additional aerators, see "Washbasin tap accessories", page 58 onwards

Type

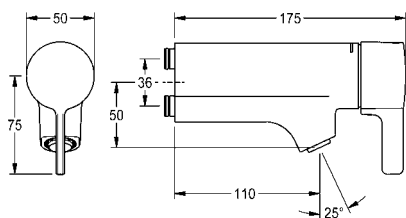
Article Number



### F5L-Therm single-lever thermostatic mixer for tap unit or wall flange

F5L-Therm single-lever thermostatic mixer DN 15 with slanted drain for mounting on tap unit or separate wall flange, for sanitary facilities. Thermostatically-controlled mixer cartridge with expansion element, safety switch-off in case of cold-water failure, adjustable and turn-proof temperature stop, and ceramic disc technology. For connection to hot and cold water. All-metal construction, high-polished chrome-plated brass. Anti-theft aerator, SLIM design, with integrated flow regulator 5.0 l/min. Connections positioned above one another with backflow preventers.

**F5LT1033** 2030065268



Necessary accessories (optionally)

Wall flange

**ACXM1002** 2030058762

Single clamping bridge for installation on distribution lines positioned above one another

**ACXM1003** 2030058826

Double clamping bridge for installation on distribution lines positioned next to one another

**ACXM1004** 2030059971

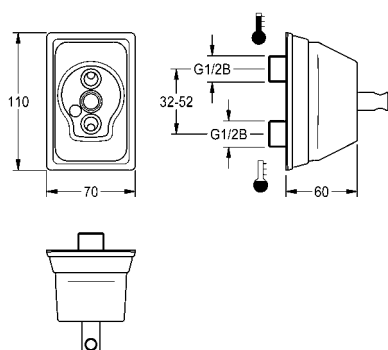
Optional accessories

Additional aerators, see "Washbasin tap accessories", page 58 onwards

### Wall flange

Wall flange for washbasin mixers with water connections positioned above one another. All-metal construction, high-polished chrome-plated brass, adjustable water connections.

**ACXM1002** 2030058762



# FX-M Wash place units



By operating the symbols for soap, water and hand drying (air or paper towel) which are illuminated discreetly the user interacts with FX-M easily.



SOAP



WATER



AIR



PAPER

FX-M is a compact and modular designed wash place unit for public and semi-public sanitary rooms of the future. The smart, lighted operation of the wash place unit is absolutely intuitive and touch-free for the user.



### **Seamless Design**

Integrative shape and reduced complexity improve cleaning and hygiene

### **Touch-Free Interaction**

Hygienic and intuitive operation

### **Welcome Light Function**

A light bar starts glowing while the front sensor detects the approaching user

### **Reactive Light Bar**

Invites and guides the user and optimizes the usage process

### **Wash Spotlight**

A spotlight on the hands improves user experience while hand washing

# FX-M Wash place units

Type Article Number



## FX-M wash place unit Water-Soap-Air

FX-M wash place unit Water-Soap-Air for wall mounting, touch free opto-electronically controlled. For hot and cold water connectivity. Thermostat for mounting onto angle valve with installation set for preset delivery of premixed hot water, soap pump for liquid soap and hand dryer. Lighting up of pictograms above the respective sensor position as well as start of wash place lighting indicate user detection. The pictogram of the active function is illuminated maximally. Cabinet housing made of powder coated stainless steel, white, mirrored door, door hinge left and cylinder lock.



Minimum flow pressure 1.0 bar  
 Volume of water flow 6 l/min at 3 bar flow pressure  
 Supply voltage 230 V AC, 50/60 Hz  
 Overall power 1000 W  
 Protection Degree IPX1  
 Hand Dryer Air Volume 80 m<sup>3</sup>/h = 22 l/s  
 Hand Dryer Air Velocity 95-115 m/s  
 Dimensions 600 x 903 x 206 mm (W x H x D)

**FXCD1001M** 2030063219

### Optional accessories

QUADRO-FX single washbasin

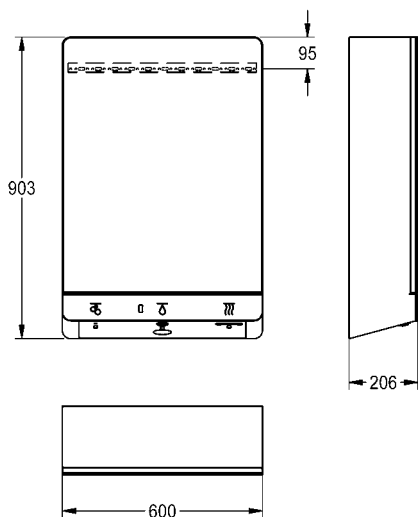
**ANMW0036** 2030058091

Bidirectional remote control

**ACEX9005** 2030036654

2-button remote control

**ACEX9004** 2030036849





Type

Article Number



### FX-M wash place unit Water-Soap-Paper towel dispenser

FX-M wash place unit Water-Soap-Paper towel dispenser for wall mounting, touch free opto-electronically controlled. For hot and cold water connectivity. Thermostat for mounting onto angle valve with installation set for preset delivery of premixed hot water, soap pump for liquid soap and paper towel dispenser. Lighting up of pictograms above the respective sensor position as well as start of wash place lighting indicate user detection. The pictogram of the active function is illuminated maximally. Cabinet housing made of powder coated stainless steel, white, mirrored door, door hinge left and cylinder lock.



Minimum flow pressure 1.0 bar  
 Volume of water flow 6 l/min at 3 bar flow pressure  
 Supply voltage 230 V AC, 50/60 Hz  
 Overall power 100 W  
 Protection Degree IPX1  
 Fill Volume of Paper Towel Dispenser 300 - 400 pieces  
 (H2 - format with Z - folding)  
 Dimensions 600 x 903 x 206 mm (W x H x D)

**FXCT1001M** 2030065018

#### Optional accessories

QUADRO-FX single washbasin

**ANMW0036** 2030058091

Bidirectional remote control

**ACEX9005** 2030036654

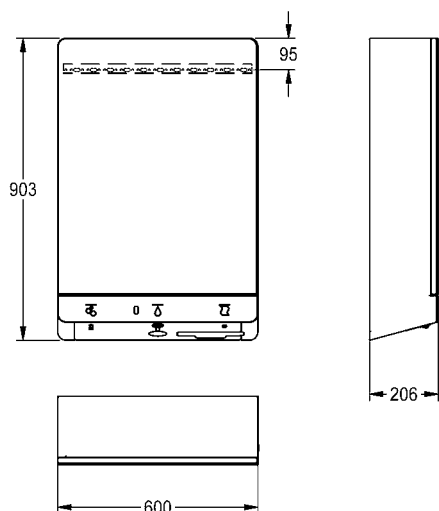
2-button remote control

**ACEX9004** 2030036849

#### Consumables

Folded paper towels

**ZACCS0001** 2030067925



### QUADRO-FX single washbasin

QUADRO-FX single washbasin, made of MIRANIT resin-bonded mineral material, with pore-free, smooth surface (temperature-resistant up to 80 °C), Colour Alpine white. With seamless, rectangular bowl, without overflow and without tap ledge. Mounted on washbasin back panel. Three-sided apron 60 mm (H). Rear surge edge, including mounting material.

Dimensions 800 x 150 x 470 mm (W x H x D)  
 Bowl dimensions 560 x 90 x 400 mm (W x H x D)

**ANMW0036** 2030058091

#### Optional accessories

Dome waste valve, chrome-plated

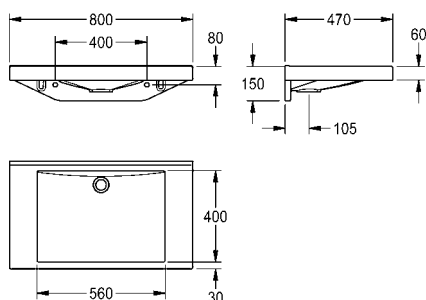
**ZANMW0030** 2030057337

Dome waste valve, white (RAL 9003) powder-coated

**ZANMW0031** 2030057339

Trap "Clic"

**XINX140** 2000057417



# Accessories

Type	Article Number
------	----------------



## Wall outlet

Wall outlet, DN 15, with theft-proof aerator, polished chromium-plated brass, projection 234 mm.

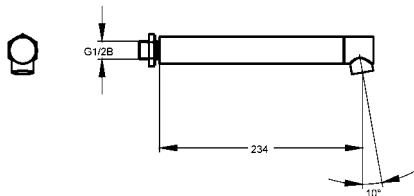
**AQRM905** 2000100805

Projection 165 mm

**AQRM906** 2000100806

Projection 78 mm

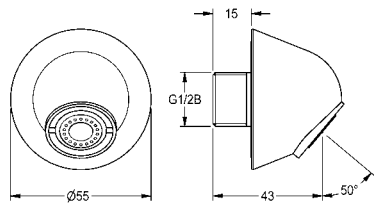
**AQRM907** 2000100809



## Wall outlet, DN 15

Wall outlet, DN 15, polished chromium-plated brass, suicide-inhibiting design, with theft-proof aerator and integrated flow control 0.063 l/s, tilt angle 50°, projection 28 mm.

**ZTAPS0004** 2000107291



## Socket

Socket for heightening of fitting housing at 140 mm, for F5E electronic pillar taps and pillar mixer. Polished chromium-plated brass.

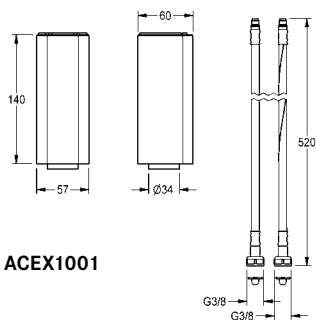
**ACEX1001** 2030040334

Socket for F5S self-closing pillar taps and pillar mixer

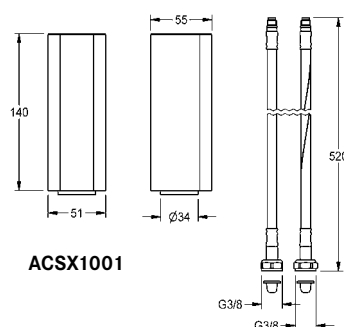
**ACSX1001** 2030041519

Socket for F5L single-lever pillar mixer

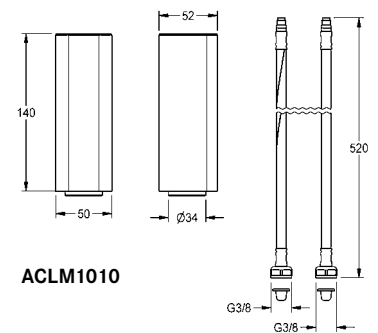
**ACLM1010** 2030041325



**ACEX1001**



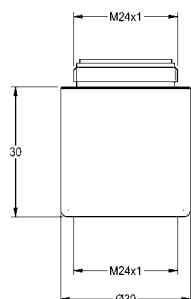
**ACSX1001**



**ACLM1010**

Type

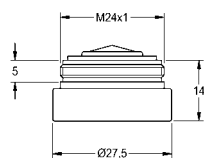
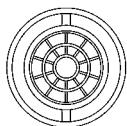
Article Number

**Outlet extension**

Spout extension M 24 x 1, stackable, for taps, length 30 mm, polished chromium-plated brass.

**AQRM909**

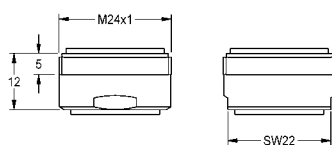
2000101463

**Aerator**

Theft-proof aerator with integrated flow regulator 6.0 l/min, with male thread M 24 x 1, special key included.

**ZAQUA087**

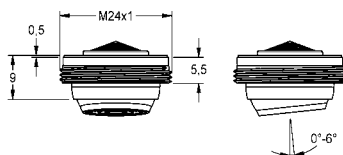
2000101160

**3.0 l/min. aerator**

Aerator M 24 x 1, with integrated flow rate regulator 3.0 l/min. Packing unit 10 pieces

**ASXX1008**

2030041424

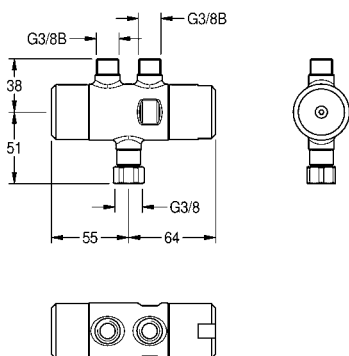
**5.0 l/min aerator, angle-adjustable**

Theft-proof aerator, angle-adjustable +/- 6° in all directions, SLIM design, with integrated flow regulator 5.0 l/min, with male thread M 24 x 1, with mounting key.

**ACXX1002**

2030041326

# Accessories



Type	Article Number
------	----------------

## PURETHERM under-table thermostat

PURETHERM thermostatic mixing valve, DN 10 to be used as anti-scalding protection safety device for washbasin taps in case cold water supply fails. Outlets G 3/8 B and union nut G 3/8 for connection to the elbow valve underneath washbasins. With facilities for performing manual thermal disinfection.

Important note:  
Installation kit for PURETHERM thermostatic mixing valve has to be ordered separately.

<b>PURE0031</b>	2030012758
-----------------	------------

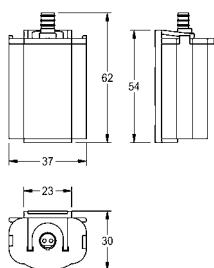
### Necessary accessories

Connection set for PURETHERM thermostatic mixing valve

<b>ZPURE0003</b>	2030021893
------------------	------------

## Battery compartment

Battery compartment complete with fixing holder and lithium battery 6 V DC.



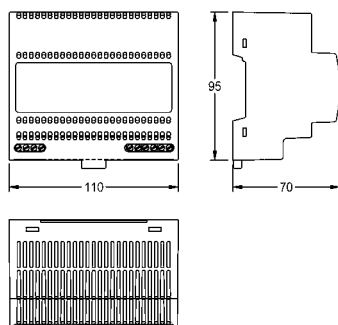
<b>ZAQCT0003</b>	2000109466
------------------	------------

## Power supply unit

Mains unit, for central power supply, operating voltage 100-240 V AC, output voltage switchable between 7 V DC, 31.5 W or 12 V DC, 50 W.



<b>ACEX9001</b>	2030039477
-----------------	------------



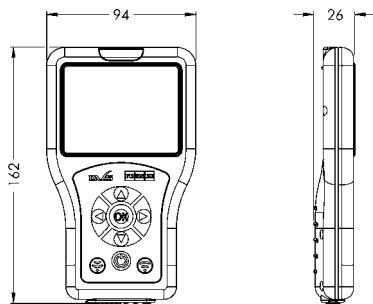
Type ..... Article Number .....



**Bidirectional remote control for electronic fittings F3 and F5**

Bidirectional remote control for setting function parameters, storage fitting profiles and statistical data for electronic fittings F3 and F5 as well as hygiene units. Parameter display on menu-driven color screen. With internal rechargeable battery, USB port for transfer of fitting specific statistical data as CSV file to PC. With possibility to import firmware files. Including protective bag and USB connecting cable.

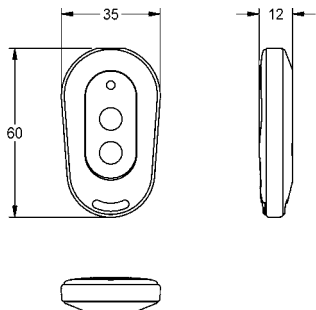
**ACEX9005** ..... 2030036654 .....



**2-button remote control for fittings F3 and F5**

2 buttons remote control for fittings F3 and F5 for activation cleaning switch-off for 1 minute and deactivation/activation of hygiene flush.

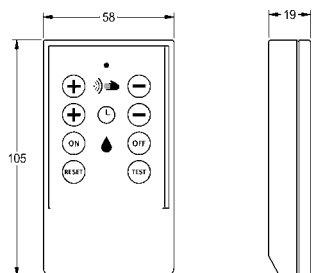
**ACEX9004** ..... 2030036849 .....



**Remote control**

Remote control unit for taps and flush valves of the series PROTRONIC / -C / -S / -T, AQUACONTACT and AQUAFIT hygiene unit, for setting the function parameters.

**ZAQUA091** ..... 2000101087 .....







# Washbasins, drinking fountains, multiple washtroughs

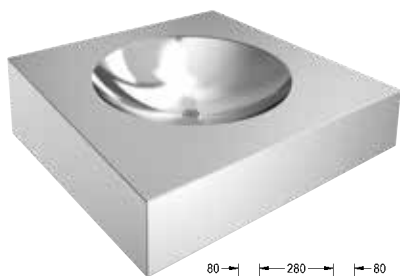
The use of 304 chrome-nickel steel as the material of choice for equipment in public and commercial sanitary facilities has become today's standard. The material is robust, easy to clean, 100 % recyclable and therefore particularly cost-effective. Thanks to their hygienic properties, single washbasins, inset basins, drinking fountains and multiple washtroughs made of 304 chrome-nickel steel enable safe and clean sanitary equipment.

## Stainless steel washbasins

<b>KWC ANIMA</b> Single washbasins	64
<b>KWC RONDO</b> Inset basins	72
<b>KWC ANIMA</b> Drinking fountains	76
<b>KWC PLANOX, PRESTIGE</b> Multiple washtroughs	81

# ANIMA single washbasins

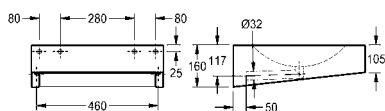
Type Article Number



## ANIMA single washbasin

Wash basin for disabled for wall mounting, stainless steel, surface satin finished, material thickness 1.2 mm, seamless welded round bowl with diameter 350 mm, rectangular shape, 75 mm tap ledge, without overflow, seamless welded waste with 32 mm drain pipe, drainage centric, prewelded mounting brackets, for recessed trap mounting - trap not included, mounting conform to EN 31, disabled accessible mounting possible, includes stainless steel screws and dowels.

Width 500 mm, without taphole  
Dimensions 500 x 105/160 x 500 mm (W x H x D)



**ANMX500** 2000056724

With 35 mm diameter tap hole, centered

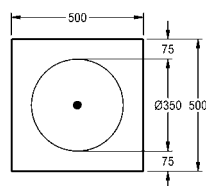
**ANMX501** 2000056774

Width 600 mm, without taphole

**ANMX600** 2000100022

Width 600 mm, with 35 mm diameter tap hole, centered

**ANMX601** 2000100023

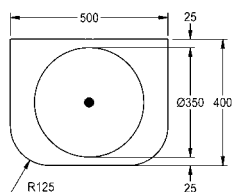
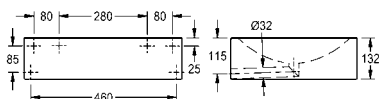


## ANIMA single washbasin

Single wash stand for wall-mounting, chrome-nickel steel, surface silk matt, material thickness 1.5 mm, barrier-free wash stand in acc. with SIA 500, seamlessly welded round basin, basin diameter of 350 mm, rectangular wash stand shape with front corners rounded, no bank of fittings, seamlessly integrated plug strainer and drainpipe DN 32, siphon mounted under plaster, not included, integrated and reinforced assembly panel measuring 280 mm, includes stainless steel screws and rawl plugs.

Dimensions 500 x 132 x 400 mm (W x H x D)

**ANMX502** 2030029755



## ANIMA single washbasin

Single wash basin for wall-mounting, made of stainless steel, surface satin finished, material thickness 1.2 mm. Seamless wash basin in one piece with rounded edges, tap landing without tap hole, strainer waste valve, DN 40/50 siphon included, without overflow. Mounting from the front, fixing material included. Wash basin suitable for areas exposed to vandalism and wheelchair users.

Dimensions of wash basin 460 x 170 x 490 mm (W x H x D)

Dimensions of bowl 420 x 140 x 360 mm (W x H x D)

without taphole

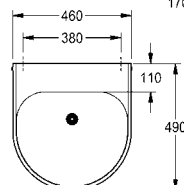
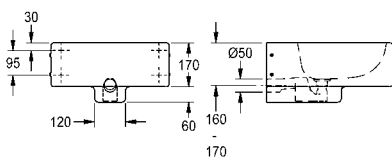
**ANMX460** 2000102710

With 35 mm diameter tap hole, centered

**ANMX461** 2000102711

Version without tap ledge, dimensions 460 x 170 x 410 mm

**ANMX462** 2000102712



Overview and meaning of the symbols see page 12-13



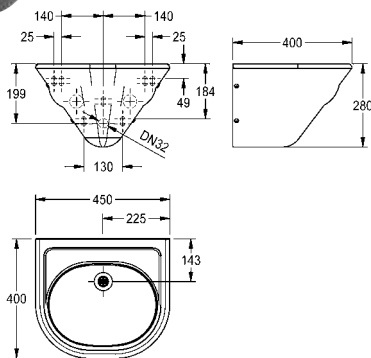
Type

Article Number



### ANIMA single washbasin

Wash basin for wall mounting, stainless steel, surface satin finished, material thickness 1.2 mm, seamless welded bowl with dimension 360 x 272 x 135 mm, made of one piece, for high risk vandalism areas due to seamless closed trap cover and semicircular shape, rounded edges, bowl with revolving channel, 40 mm tap ledge, without overflow, 1 1/2" flat perforated waste, drainage centric, incl. trap DN 32, with pressed soap dish, inclusive mounting plate conform to EN 31, includes stainless steel screws and dowels.



Dimensions 450 x 280 x 400 mm (W x H x D)

Dimensions of bowl 360 x 150 x 270 mm (W x H x D)

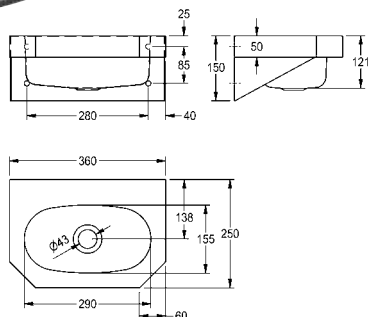
**ANMX450**

2000071857



### ANIMA single washbasin

Single wash basin for wall mounting, stainless steel, surface satin finished, material thickness 1 mm, seamless welded bowl with diameter 290 x 155 x 121 mm, rectangular shape, tap ledge, without overflow, 1 1/4" waste, drainage centric, front panel with 45° corner edges, prewelded mounting brackets, mounting conform EN 31, includes screws and dowels.



Dimensions 360 x 150 x 250 mm (W x H x D)

Dimensions of bowl 290 x 121 x 155 mm (W x H x D)

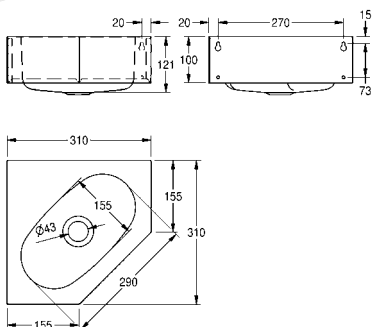
**WT360C**

203.0500.578



### ANIMA corner washbasin

Single wash basin for wall-corner mounting, stainless steel, surface satin finished, material thickness 1 mm, seamless welded bowl with diameter 290 x 155 x 100 mm, rectangular shape, with top ledge, without overflow, 1 1/4" flat perforated waste, drainage centric, front panel with 45° corner edges, includes screws and dowels.



Dimensions 310 x 121 x 310 mm (W x H x D)

Bowl dimensions 290 x 121 x 155 mm (W x H x D)

**WT310E**

203.0499.146

# ANIMA single washbasins

Type Article Number



## ANIMA single washbasin

Single wash basin for wall mounting, stainless steel, surface satin finished, material thickness 1 mm, seamless welded bowl with diameter 340 x 300 x 140 mm, rectangular shape, 120 mm tap ledge, with overflow, 1 1/4" plug waste, drainage rewards centric, front panel with 45° corner edges, prewelded mounting brackets, mounting conform EN 31, includes screws and dowels.

Dimensions 400 x 150 x 452 mm (W x H x D)

**WT400C** 203.0499.147

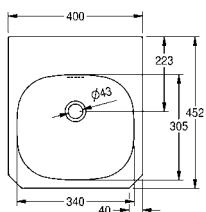
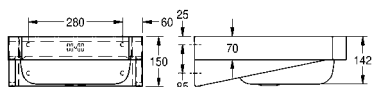
With 35 mm diameter tap hole, centered

**WT400C-M** 2000103763

Optional accessories

Rear wall made of chromium nickel steel, dimensions 400 x 200 mm (W x H)

**SB400** 2000100065



## ANIMA single washbasin

Single wash basin for wall mounting, stainless steel, surface satin finished, material thickness 1 mm, seamless welded bowl with diameter 400 x 300 x 135 mm, rectangular shape, 105 mm tap ledge, with overflow, 1 1/4" plug waste, drainage rewards centric, front panel with 45° corner edges, prewelded mounting brackets, mounting conform EN 31, includes screws and dowels.

Dimensions 500 x 150 x 446 mm (W x H x D)

**WT500C** 203.0499.148

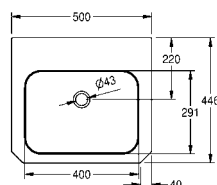
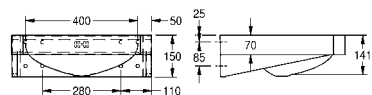
With 35 mm diameter tap hole, centered

**WT500C-M** 2000103094

Optional accessories

Rear wall made of chromium nickel steel, suitable for WT500A and WT500C, dimensions 500 x 200 mm (W x H)

**SB500** 2000100066



## ANIMA single washbasin

Single wash basin for wall mounting, stainless steel, surface satin finished, material thickness 1 mm, seamless welded bowl with diameter 550 x 350 x 145 mm, rectangular shape, 90 mm tap ledge, with overflow, 1 1/4" plug waste, drainage rewards centric, front panel with 45° corner edges, prewelded mounting brackets, distance between the centre lines of the fixing holes conform to EN 31, includes screws and dowels.

Dimensions 600 x 150 x 480 mm (W x H x D)

**WT600C** 203.0500.572

With 35 mm diameter tap hole, centered

**WT600C-M** 2000103766

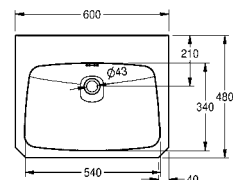
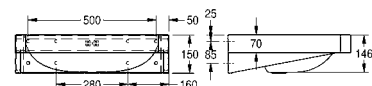
Optional accessories

Cover, dimensions 160 x 401 x 322 mm (W x H x D)

**ANMX210** 2000056723

Rear wall made of chromium nickel steel, suitable for WT600A and WT600C, dimensions 600 x 250 mm (W x H)

**SB600** 2000100067



Type ..... Article Number .....



**ANIMA single washbasin**

Single wash basin for wall mounting, stainless steel, surface satin finished, material thickness 1 mm, seamless welded bowl with diameter 340 x 305 x 142 mm, rectangular shape, 80 mm tap ledge, with overflow, 1 1/4" plug waste, drainage rewards centric, prewelded mounting brackets, includes screws and dowels.

Dimensions 400 x 200 x 412 mm (W x H x D)

**WT400A** ..... 203.0500.577

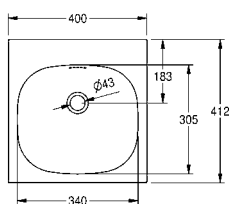
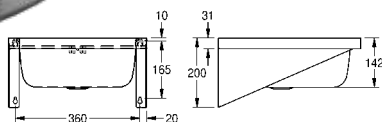
With 35 mm diameter tap hole, centered

**WT400A-M** ..... 2000103762

Optional accessories

Rear wall made of chromium nickel steel, dimensions 400 x 200 mm (W x H)

**SB400** ..... 2000100065



**ANIMA single washbasin**

Single wash basin for wall mounting, stainless steel, surface satin finished, material thickness 1 mm, seamless welded bowl with diameter 400 x 291 x 141 mm, rectangular shape, 70 mm tap ledge, with overflow, 1 1/4" plug waste, drainage rewards centric, prewelded mounting brackets, includes screws and dowels.

Dimensions 500 x 200 x 402 mm (W x H x D)

**WT500A** ..... 203.0000.154

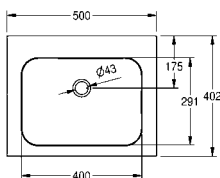
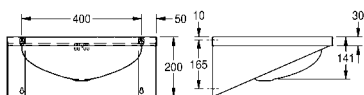
With 35 mm diameter tap hole, centered

**WT500A-M** ..... 2000103764

Optional accessories

Rear wall made of chromium nickel steel, suitable for WT500A and WT500C, dimensions 500 x 200 mm (W x H)

**SB500** ..... 2000100066



**ANIMA single washbasin**

Single wash basin for wall mounting, stainless steel, surface satin finished, material thickness 1 mm, seamless welded bowl with diameter 550 x 350 x 140 mm, rectangular shape, 75 mm tap ledge, with overflow, 1 1/4" plug waste, drainage rewards centric, prewelded mounting brackets, includes screws and dowels.

Dimensions 600 x 200 x 440 mm (W x H x D)

**WT600A** ..... 203.0000.155

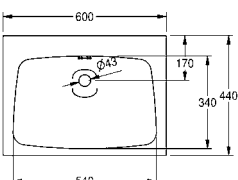
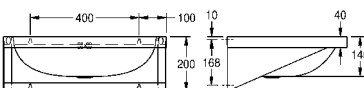
With 35 mm diameter tap hole, centered

**WT600A-M** ..... 2000103765

Optional accessories

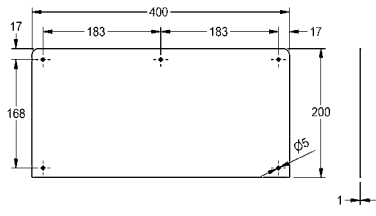
Rear wall made of chromium nickel steel, suitable for WT600A and WT600C, dimensions 600 x 250 mm (W x H)

**SB600** ..... 2000100067



# ANIMA single washbasins

Type	Article Number
------	----------------



## ANIMA splash back

Splash back for wall mounting, stainless steel, surface satin finished, material thickness 1 mm, inclusive stainless steel screws and dowels.

Suitable for washbasins WT400A and WT400C  
Dimensions 400 x 200 x 1 mm (W x H x D)

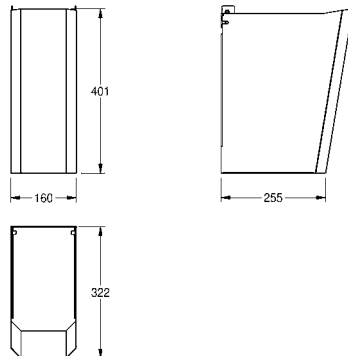
<b>SB400</b>	2000100065
--------------	------------

Rear wall made of chromium nickel steel, suitable for WT500A and WT500C, dimensions 500 x 200 mm (W x H)

<b>SB500</b>	2000100066
--------------	------------

Rear wall made of chromium nickel steel, suitable for WT600A and WT600C, dimensions 600 x 250 mm (W x H)

<b>SB600</b>	2000100067
--------------	------------



## ANIMA trap cover

Wall mounted trap cover for wash basin WT600C, stainless steel, surface satin finished, material thickness 1 mm, not closed at bottom, includes screws, dowels and brackets.

Dimensions 160 x 401 x 322 mm (W x H x D)

<b>ANMX210</b>	2000056723
----------------	------------



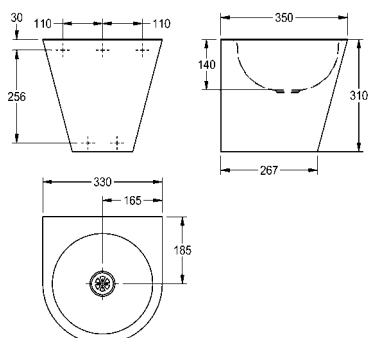
## ANIMA washbasin

The Centinel washbasin is manufactured from 1.25 mm thick grade EN 1.4301 (304) stainless steel polished to a satin finish. The bowl is prepared with no tap hole and supplied with a 32 mm flush grated waste only (no overflow can be fitted). Complete with joggle strip and bottom access panel for fixing (using screws) and plumbing connections.

Dimensions 330 x 310 x 350 mm (W x H x D)

Bowl dimensions 277 x 140 mm (D x H)

<b>ANMX205</b>	2000071493
----------------	------------



Type Article Number

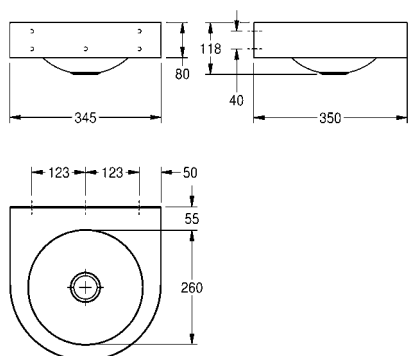


**ANIMA single wash basin**

ANIMA single washbasin, for wall-mounting, stainless steel, satin finished surface, material thickness 1.0 mm, semicircular washbasin shape, seamlessly welded-in round inset vanity basin, with surrounding apron, without overflow, with 55 mm tap ledge (T), G 1 1/4 B strainer waste, centre waste, including mounting material.

Dimensions 345 x 118 x 350 mm (W x H x D)  
Bowl dimensions 260 x 118 mm (D x H)

**WB260WM** 2030072330



**ANIMA single washbasin**

Single wash basin, stainless steel, material thickness 0.9 mm, surface satin finished, circular bowl with diameter 380 mm, rear upstand, single tap hole, 32 mm waste/overflow fitting, includes screws and dowels.

Tap hole right  
Dimensions 450 x 175 x 450 mm (W x H x D)

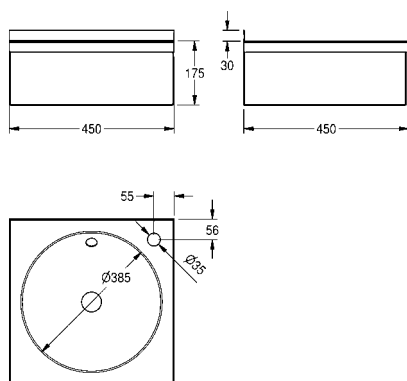
**WT450** 2000100365



Optional accessories

Splash back, suitable to WT450, LP20 and LP21, dimensions 450 x 210 mm (W x H)

**SB450** 2000100338



# ANIMA single washbasins

Type Article Number



## ANIMA single washbasin

Single wash basin for wall mounting, stainless steel, surface satin finished, material thickness 1 mm, seamless welded bowl with diameter 500 x 335 x 155 mm, oval shape, 90 mm tap ledge, prewelded mounting brackets, with soap dish, includes screws and dowels.

Without overflow, 1 1/4" flat perforated waste  
Dimensions 550 x 155 x 450 mm (W x H x D)

**BS204** 2000090016

Without overflow, with 35 mm diameter tap hole, centered, 1 1/4 flat perforated waste

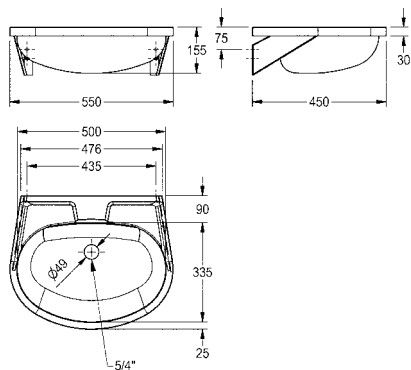
**BS204-M** 2000103078

With overflow, without tap hole, 1 1/4 stopper valve

**BS205** 2000090017

With overflow, with 35 mm diameter tap hole, centered, 1 1/4 stopper valve

**BS205-M** 2000103080

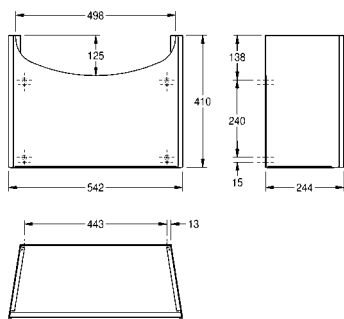
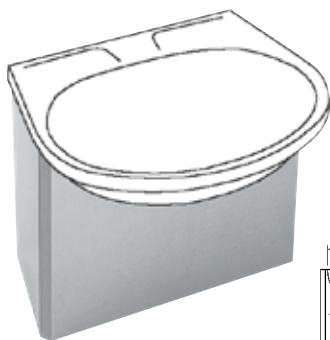


## ANIMA Trap cover

Wall mounted trap cover for wash basin BS204 and BS205, stainless steel, surface high polished, material thickness 1 mm, not closed at bottom, includes screws and dowels.

Dimensions 542 x 410 x 244 mm (W x H x D)

**BS206** 2000058442



## ANIMA single washbasin

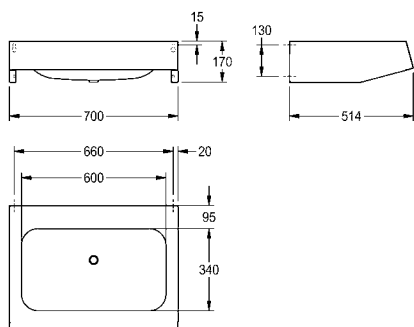
Wash basin, stainless steel, surface satin finished, material thickness 1.0 mm, with tap ledge 95 mm, without tap hole, waste G 1 1/2 B, includes screws and dowels.

1 basin

Dimensions 700 x 170 x 514 mm (W x H x D)

Bowl Dimensions 600 x 130 x 340 mm (W x H x D)

**CM700** 2000100039



Type ..... Article Number .....



**ANIMA Multiple washbasin, 2 washbasins**

Wash basin, stainless steel, surface satin finished, material thickness 1.0 mm, with tap ledge 95 mm, without tap hole, waste G 1 1/2 B, includes screws and dowels.



2 basins  
 Dimensions 1400 x 170 x 514 mm (W x H x D)  
 Bowl Dimensions 600 x 130 x 340 mm (W x H x D)

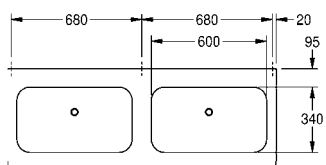
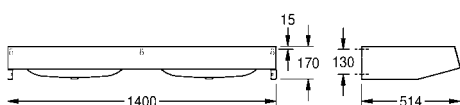
**CM1400** ..... 2000100036

Width 2100 mm, with 3 washbasins

**CM2100** ..... 2000100037

Width 2800 mm, with 4 washbasins

**CM2800** ..... 2000100038



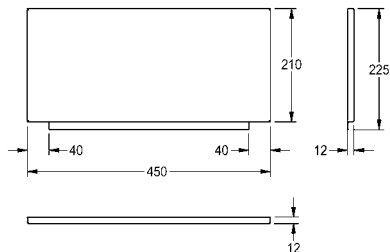
**ANIMA splash back**

Splash back for wall mounting, stainless steel, surface satin finished, material thickness 1 mm, includes stainless steel screws and dowels.

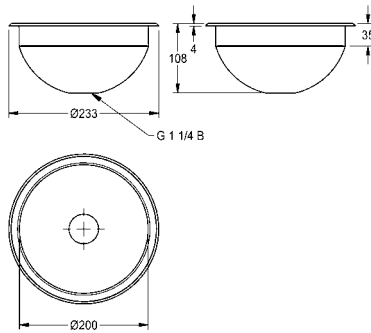


Suitable to WT450, LP20 and LP21  
 Dimensions 450 x 210 x 12 mm (W x H x D)

**SB450** ..... 2000100338



# RONDO inset basin



## RONDO round sink

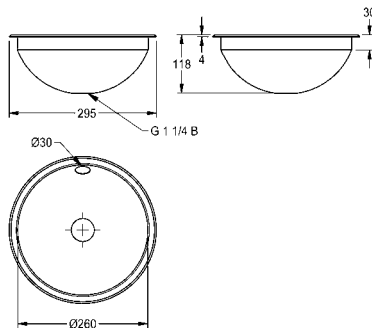
Round inset vanity basin, can be mounted from top or underneath, stainless steel, material thickness 1 mm, bowl diameter 200 mm, without overflow, inclusive 5/4" flat perforated and plug waste, stainless steel lugs for underneath mounting are included.

Dimensions 233 x 108 mm (D x H)  
 Outcut diameter for mounting from top 212 mm  
 Outcut diameter for mounting from underneath 190 mm  
 Surface high-polished

**RNDH200** 2000056306

Surface satin-finished

**RNDX200** 2000056331



## RONDO round sink

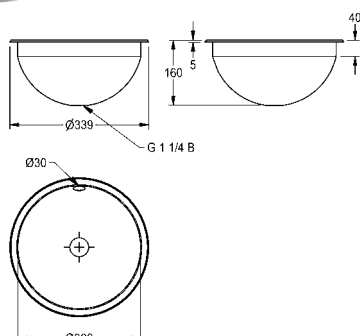
Round inset vanity basin, can be mounted from top or underneath, stainless steel, material thickness 1 mm, bowl diameter 260 mm, with overflow, inclusive 5/4" overflow kit without waste, stainless steel lugs for underneath mounting are included.

Dimensions 295 x 118 mm (D x H)  
 Outcut diameter for mounting from top 275 mm  
 Outcut diameter for mounting from underneath 251 mm  
 Surface high-polished

**RNDH260** 2000056335

Surface satin-finished

**RNDX260** 2000056336



## RONDO round sink

Round inset vanity basin, can be mounted from top or underneath, stainless steel, material thickness 1 mm, bowl diameter 300 mm, with overflow, inclusive 5/4" overflow kit without waste, stainless steel lugs for underneath mounting are included.

Dimensions 339 x 160 mm (D x H)  
 Outcut diameter for mounting from top 319 mm  
 Outcut diameter for mounting from underneath 290 mm  
 Surface high-polished

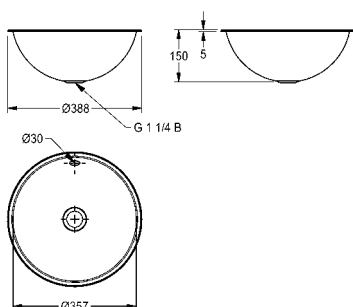
**RNDH300** 2000056337

Surface satin-finished

**RNDX300** 2000056424



Type	Article Number
------	----------------

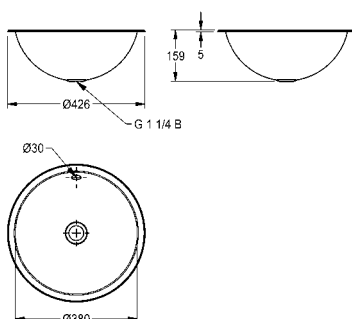


**RONDO round sink**

Round inset vanity basin, can be mounted from top or underneath, stainless steel, material thickness 1 mm, bowl diameter 357 mm, with overflow, inclusive 5/4" overflow kit without waste, stainless steel lugs for underneath mounting are included.

Dimensions 388 x 150 mm (D x H)  
 Outcut diameter for mounting from top 368 mm  
 Outcut diameter for mounting from underneath 350 mm  
 Surface high-polished

<b>RNDH360</b>	2000056428
Surface satin-finished	
<b>RNDX360</b>	2000056431

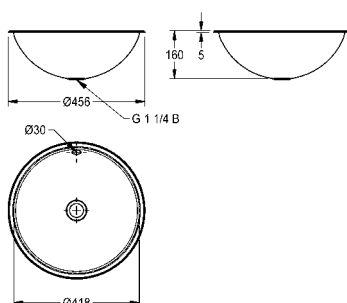


**RONDO round sink**

Round inset vanity basin, can be mounted from top or underneath, stainless steel, material thickness 1 mm, bowl diameter 380 mm, with overflow, inclusive 5/4" overflow kit without waste, stainless steel lugs for underneath mounting are included.

Dimensions 426 x 159 mm (D x H)  
 Outcut diameter for mounting from top 406 mm  
 Outcut diameter for mounting from underneath 368 mm  
 Surface high-polished

<b>RNDH381</b>	2000056432
Surface satin-finished	
<b>RNDX381</b>	2000056436



**RONDO round sink**

Round inset vanity basin, can be mounted from top or underneath, stainless steel, material thickness 1 mm, bowl diameter 418 mm, with overflow, inclusive 5/4" overflow kit without waste, stainless steel lugs for underneath mounting are included.

Dimensions 456 x 160 mm (D x H)  
 Outcut diameter for mounting from top 436 mm  
 Outcut diameter for mounting from underneath 410 mm  
 Surface high-polished

<b>RNDH420</b>	2000056536
Surface satin-finished	
<b>RNDX420</b>	2000056537

# RONDO inset basin, accessories

Type	Article Number
------	----------------

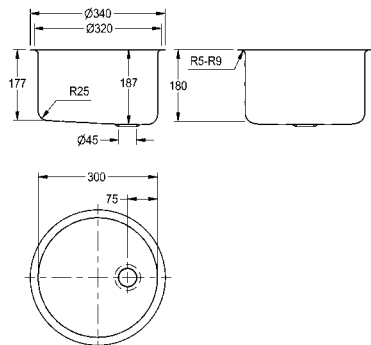


## RONDO round sink

Round inset basin, can be mounted from top or underneath, stainless steel, surface high polished, material thickness 1 mm, bowl diameter 300 mm, without overflow, inclusive 5/4" flat perforated waste, stainless steel lugs for underneath mounting are included.

Dimensions 340 x 187 mm (W x H)  
Bowl Dimensions 300 x 180 mm (W x H)

<b>BR3000U</b>	2000100793
----------------	------------



## RONDO oval sink

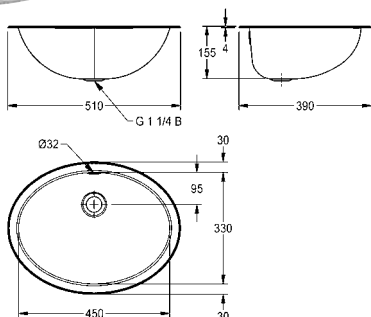
Round inset vanity basin, can be mounted from top or underneath, stainless steel, material thickness 1 mm, with overflow, inclusive 5/4" overflow kit without waste, stainless steel lugs for underneath mounting are included.

Surface high-polished  
Dimensions 510 x 155 x 390 mm (W x H x D)  
Bowl Dimensions 450 x 155 x 330 mm (W x H x D)  
Output diameter for mounting from top 492 x 372 mm  
Output diameter for mounting from underneath 440 x 320 mm

<b>RNDH450-O</b>	2000056539
------------------	------------

Surface satin-finished

<b>RNDX450-O</b>	2000056606
------------------	------------



## RONDO oval sink

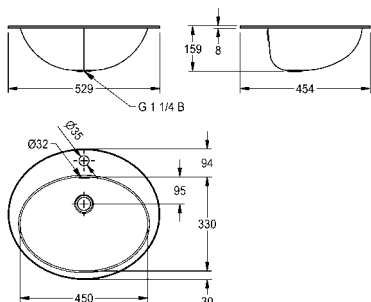
Round inset vanity basin, can be mounted from top or underneath, stainless steel, material thickness 1 mm, with overflow and tap ledge, incl. 35 mm tap hole drilling, inclusive 5/4" overflow kit without waste, stainless steel lugs for underneath mounting are included.

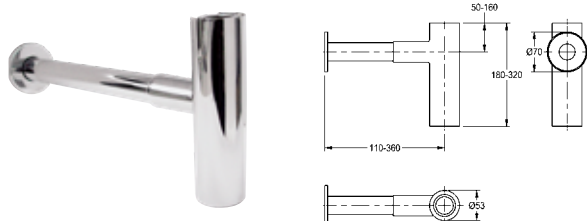
Surface high-polished  
Dimensions 529 x 159 x 454 mm (W x H x D)  
Bowl Dimensions 450 x 159 x 330 mm (W x H x D)  
Output diameter for mounting from top 511 x 436 mm  
Output diameter for mounting from underneath 440 x 320 mm

<b>RNDH451-O</b>	2000056717
------------------	------------

Surface satin finished

<b>RNDX451-O</b>	2000056719
------------------	------------





Type	Article Number
------	----------------

**Trap**

Trap "Clic", chromated brass trap, surface high polished, extendable (max. 360 mm) and height adjustable (max. 320 mm).

<b>XINX140</b>	2000057417
----------------	------------

**Trap**

for RONDO washbasins, Siphon 5/4", chrome plated brass, diameter 32 mm.

<b>E-RNDX-SIPHON</b>	2000101371
----------------------	------------

**RONDO waste fitting kit**

for RONDO washbasins, drain fitting 6/4", with reduction to 5/4", overflow connection, chromed, plug waste, plugs and seals

<b>E-RNDX-UEL SET</b>	2000101364
-----------------------	------------

**Outlet valve**

Waste valve DN 32

<b>E-XINH-VALVE-SS</b>	2000101361
------------------------	------------

Outlet valve DN 32, with round high-polished click-in cover, lockable. Can only be used for washbasins with overflow.

<b>E-XINH VALVE</b>	2000101365
---------------------	------------

Necessary accessories

Waste kit for washbasin

<b>ERNDX003</b>	2000103551
-----------------	------------

Optional accessories

Transition piece, chrome-plated, from G 1 1/2 to G 1 1/4 B

<b>E-REDUKTION</b>	2000101362
--------------------	------------

**Waste kit**

Waste kit G 1 1/4 B for wash basins. Plug waste, body synthetic, grey, cover stainless steel, incl. seal and synthetic black plug.

<b>EANMX002</b>	2000103407
-----------------	------------

Optional accessories

Waste kit for washbasin

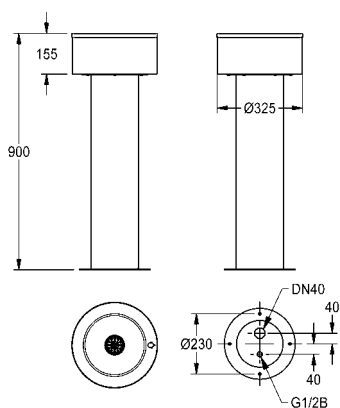
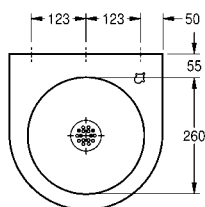
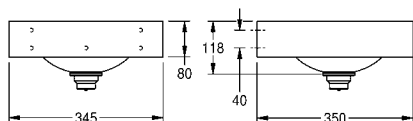
<b>ERNDX003</b>	2000103551
-----------------	------------

**Overflow set**

Overflow kit for RONDO washbasins RNDX and RNDH.

<b>EANMX010</b>	2000103422
-----------------	------------

# ANIMA drinking fountain



Type	Article Number
------	----------------

## ANIMA wall-mounted drinking fountain

ANIMA wall-mounted drinking fountain, stainless steel, satin finished surface, material thickness 1 mm, seamlessly integrated round bowl without overflow, with circumferential apron, 55 mm tap ledge with tap hole, strainer waste G 1 1/4 B, including mounting material.

Dimensions 345 x 118 x 350 mm (W x H x D)  
Bowl dimensions 260 x 118 mm (D x H)

Drinking fountain tap or bottle filler tap must be ordered separately.

<b>ANMX35L</b>	2030072219
----------------	------------

Necessary accessories (optionally)

Drinking fountain tap with push button

<b>ANMX-BU</b>	213.0654.085
----------------	--------------

Self-closing drinking bubbler

<b>AQRM304</b>	2000101118
----------------	------------

Bottle filler tap

<b>ANMX-BT</b>	213.0654.086
----------------	--------------

## ANIMA drinking fountain

ANIMA drinking fountain, for free-standing installation on finished floors, stainless steel, satin finished surface, material thickness 1.2 mm, seamlessly integrated round bowl without overflow, with tap hole, circular apron, height 155 mm, with round stand column, strainer waste G 1 1/2 B with siphon DN 40, including mounting material.

Dimensions 325 x 900 mm (D x H)  
Bowl dimensions 235 x 62 mm (D x H)  
Floor flange 270 mm (D)

Drinking fountain tap or bottle filler tap must be ordered separately.

<b>ANMX32L</b>	213.0651.857
----------------	--------------

Necessary accessories (optionally)

Drinking fountain tap with push button

<b>ANMX-BU</b>	213.0654.085
----------------	--------------

Self-closing drinking bubbler

<b>AQRM304</b>	2000101118
----------------	------------

Bottle filler tap

<b>ANMX-BT</b>	213.0654.086
----------------	--------------

Type	Article Number
------	----------------



### ANIMA wall-mounted drinking fountain

ANIMA wall-mounted drinking fountain, stainless steel, satin finished surface, material thickness 1.2 mm, seamlessly integrated round bowl without overflow, with tap hole, enclosed design with screwed-on inspection cover and circumferential apron, strainer waste G 1 1/4 B with siphon DN 32, including mounting material.

Dimensions 305 x 320 x 350 mm (W x H x D)  
Bowl dimensions 220 x 33 mm (D x H)

Drinking fountain tap or bottle filler tap must be ordered separately.

<b>ANMX33L</b>	213.0649.011
----------------	--------------

Necessary accessories (optionally)

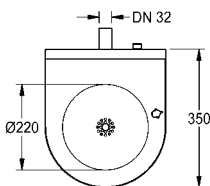
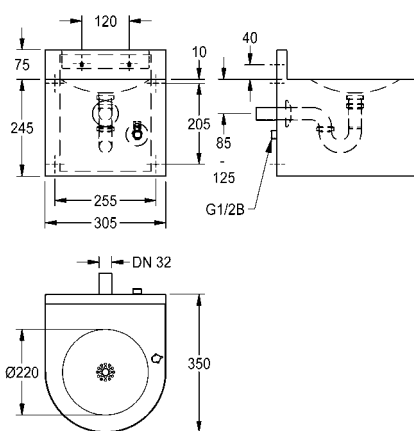
Drinking fountain tap with push button	<b>ANMX-BU</b>	213.0654.085
--	----------------	--------------

Self-closing drinking bubbler	<b>AQRM304</b>	2000101118
-------------------------------	----------------	------------

Bottle filler tap	<b>ANMX-BT</b>	213.0654.086
-------------------	----------------	--------------

Optional accessories

Apron for ANMX33L wall-mounted drinking fountain	<b>ANMX-S2</b>	213.0651.922
--	----------------	--------------

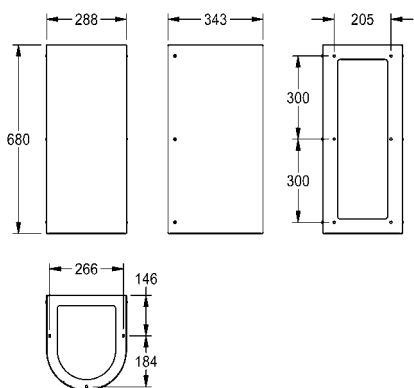


### ANIMA apron

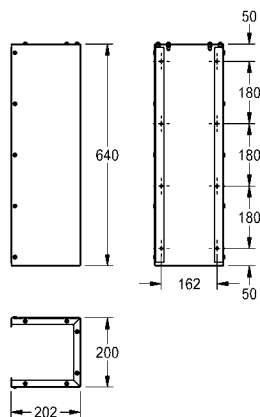
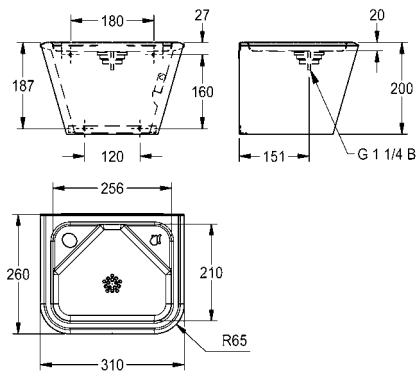
ANIMA apron for ANMX33L wall-mounted drinking fountain, for wall mounting, stainless steel, satin finished surface, material thickness 1.2 mm, floor-length.

Dimensions 288 x 680 x 343 mm (W x H x D)

<b>ANMX-S2</b>	213.0651.922
----------------	--------------



# ANIMA drinking fountain



Type	Article Number
------	----------------

## ANIMA wall-mounted drinking fountain

ANIMA wall-mounted drinking fountain, stainless steel, satin finished surface, material thickness 1.2 mm, seamlessly integrated flat bowl without overflow, rectangular drinking fountain shape with rounded edges, two tap holes including cover, strainer waste G 1 1/4 B, including mounting material.

Dimensions 310 x 200 x 260 mm (W x H x D)  
Bowl dimensions 256 x 20 x 210 mm (W x H x D)

Drinking fountain tap and/or bottle filler tap must be ordered separately.

**ANMX30U** 213.0648.990

Necessary accessories (optionally)

Drinking fountain tap with push button  
**ANMX-BU** 213.0654.085

Self-closing drinking bubbler  
**AQRM304** 2000101118

Bottle filler tap  
**ANMX-BT** 213.0654.086

Optional accessories

Apron for ANMX30U wall-mounted drinking fountain  
**ANMX-S1** 213.0651.921

## ANIMA apron

ANIMA apron for ANMX30U wall-mounted drinking fountain, for wall mounting, stainless steel, satin finished surface, material thickness 1.2 mm, floor-length.

Dimensions 200 x 640 x 202 mm (W x H x D)

**ANMX-S1** 213.0651.921

Type	Article Number
------	----------------



**ANIMA wall-mounted drinking fountain**

ANIMA wall-mounted drinking fountain, stainless steel, satin finished surface, material thickness 1.2 mm, seamlessly integrated flat bowl without overflow, rectangular drinking fountain shape with rounded edges, two tap holes including cover, circumferential apron with material thickness 1 mm, strainer waste G 1 1/4 B, including mounting material.

Dimensions 310 x 135 x 264 mm (W x H x D)  
Bowl dimensions 256 x 20 x 210 mm (W x H x D)

Drinking fountain tap or bottle filler tap must be ordered separately.

<b>ANMX21ES</b>	213.0649.013
-----------------	--------------

Necessary accessories (optionally)

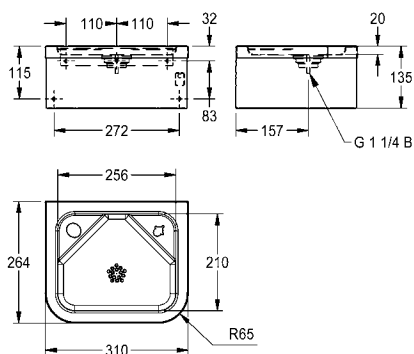
Drinking fountain tap with push button <b>ANMX-BU</b>	213.0654.085
--	--------------

Self-closing drinking bubbler <b>AQRM304</b>	2000101118
---	------------

Bottle filler tap <b>ANMX-BT</b>	213.0654.086
-------------------------------------	--------------

Optional accessories

Apron for ANMX21ES wall-mounted drinking fountain <b>ANMX-S3</b>	213.0670.776
---	--------------

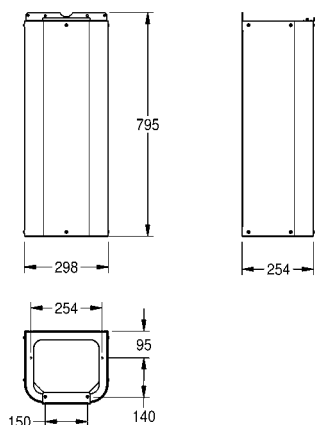


**ANIMA apron**

ANIMA apron for ANMX21ES wall-mounted drinking fountain, for wall mounting, stainless steel, satin finished surface, material thickness 1.2 mm, floor-length.

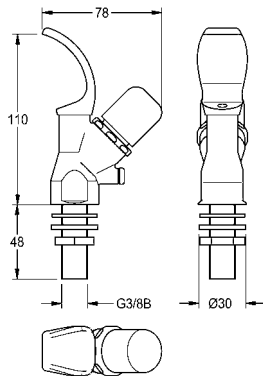
Dimensions 304 x 795 x 257 mm (W x H x D)

<b>ANMX-S3</b>	213.0670.776
----------------	--------------



# ANIMA drinking fountain, PLANOX multiple washbasins

Type	Article Number
------	----------------



## Self-closing drinking bubbler

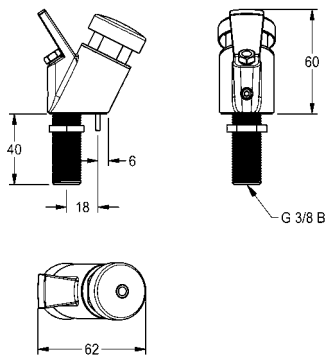
Drinking bubbler DN 15, with push cap and anti-twist protection, polished chromium-plated brass. Connection G 3/8 B.

**AQRM304** 2000101118

### Optional accessories

Chrome-plated rosette for drinking fountain tap

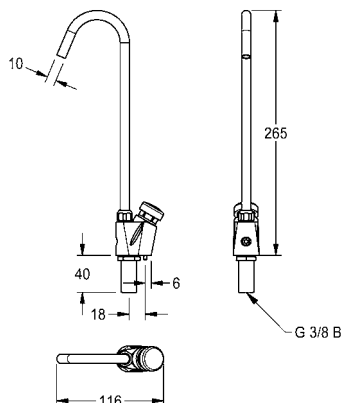
**AQRM940** 2000101429



## ANIMA drinking fountain tap

ANIMA drinking fountain tap for drinking fountains made of stainless steel or resin-bonded mineral MIRANIT, with push button, adjustable water jet, chrome-plated brass housing with anti-twist protection, G 3/8 B connection.

**ANMX-BU** 213.0654.085



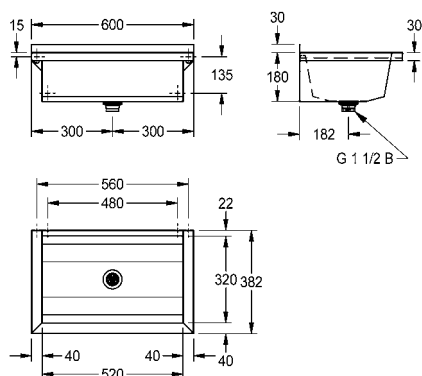
## ANIMA bottle filler tap

ANIMA bottle filler tap for drinking fountains made of stainless steel or resin-bonded mineral MIRANIT, with push button, chrome-plated brass housing with anti-twist protection, G 3/8 B connection.

**ANMX-BT** 213.0654.086



Type	Article Number
------	----------------



### PLANOX washtrough

PLANOX seamless welded washtrough for wall mounting, chromium nickel steel, satin finished surface, material thickness of washtrough 0.8 mm / side panels 1.2 mm, side panels with integrated wall brackets, without tap ledge or overflow, 40 mm rear upstand, central waste, G 1 1/2 B strainer waste, includes mounting materials. For a length of 1800 mm or more, an additional bracket is supplied. Special lengths are available on request.

Dimensions 600 x 210 x 382 mm (W x H x D)

**PL6** 2030043777

Length 800 mm

**PL8** 2030043778

Length 1200 mm

**PL12** 2030043779

Length 1600 mm

**PL16** 2030043780

Length 1800 mm

**PL18** 2030043781

Length 2400 mm

**PL24** 2030043782

Length 3000 mm

**PL30** 2030043783



### PLANOX washtrough with tap ledge

PLANOX seamless welded washtrough for wall mounting, chromium nickel steel, satin finished surface, material thickness of washtrough 0.8 mm / side panels 1.2 mm, side panels with integrated wall brackets, lowered tap ledge 80 mm, without tap holes or overflow, 40 mm rear upstand, central waste, G 1 1/2 B strainer waste, includes mounting materials. For a length of 1800 mm or more, an additional bracket is supplied. Special lengths are available on request.

Dimensions 600 x 210 x 442 mm (W x H x D)

**PL6T** 2030043784

Length 800 mm

**PL8T** 2030043785

Length 1200 mm

**PL12T** 2030043786

Length 1600 mm

**PL16T** 2030043787

Length 1800 mm

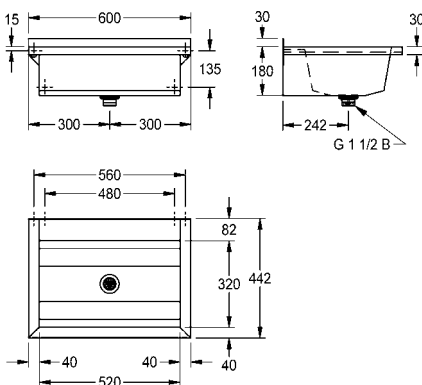
**PL18T** 2030043788

Length 2400 mm

**PL24T** 2030043789

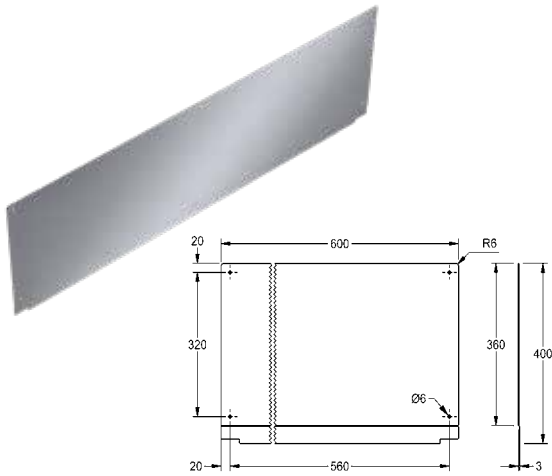
Length 3000 mm

**PL30T** 2030043790



# PLANOX accessories, PRESTIGE washtroughs

Type	Article Number
------	----------------

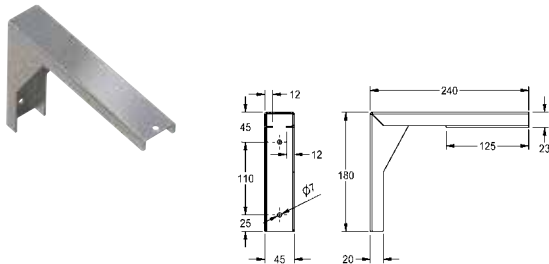


## PLANOX splash back

Splash back for PLANOX washtroughs, chromium nickel steel, satin finish, material thickness 0.8 mm, includes mounting material.

Dimensions 600 x 400 x 3 mm (W x H x D)

<b>PL6SB</b>	2030043805
Length 800 mm	
<b>PL8SB</b>	2030043806
Length 1200 mm	
<b>PL12SB</b>	2030043807
Length 1600 mm	
<b>PL16SB</b>	2030043808
Length 1800 mm	
<b>PL18SB</b>	2030043809
Length 2400 mm	
<b>PL24SB</b>	2030043810
Length 3000 mm	
<b>PL30SB</b>	2030043811

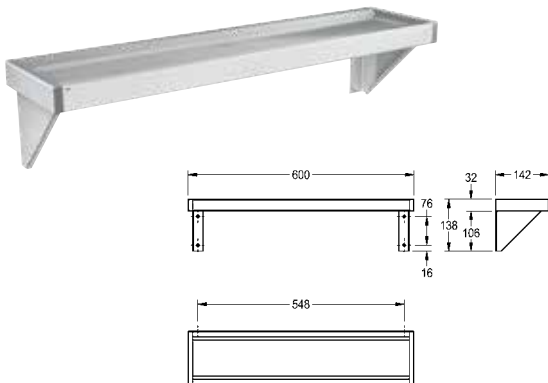


## Bracket for PLANOX washtroughs

Bracket for PLANOX washtroughs, wall-mounted, chromium nickel steel, material thickness 2 mm, includes mounting material.

Dimensions 45 x 180 x 240 mm (W x H x D)

<b>PL18SU</b>	2030043812
---------------	------------

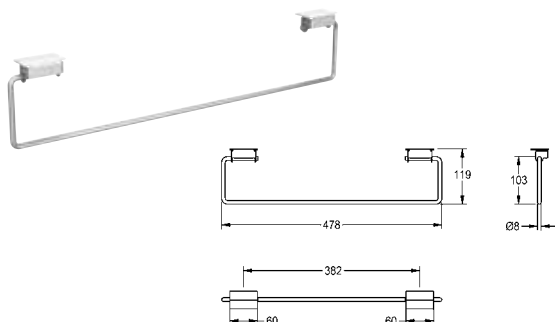


## SATURN Shelf

Shelf for wall mounting, stainless steel, surface satin finished, material thickness 1 mm, brackets welded into shelf, side ends with grey plastic cover, for lengths over 1800 mm an additional bracket is scope of delivery.

Dimensions 600 x 138 x 142 mm (W x H x D)

<b>BXSV6</b>	2000056952
Width 1200 mm	
<b>BXSV12</b>	2000056946
Width 1600 mm	
<b>BXSV16</b>	2030046197
Width 1800 mm	
<b>BXSV18</b>	2000056950
Width 2400 mm	
<b>BXSV24</b>	2000100088
Width 3000 mm	
<b>BXSV30</b>	2030046195



## SATURN set of towel rails

Towel rail for KWC Professional washtroughs, stainless steel, surface satin finished, material thickness 8 mm (d), for mounting underneath front edge, rail is flexible and retrofittable, one set per wash place necessary, including mounting material.

Dimensions 478 x 119 mm (W x H)

<b>TB60</b>	2000101452
Width 728 mm	
<b>TB80</b>	2030046200

Type	Article Number
------	----------------



**PRESTIGE washtrough**

Washtrough PRESTIGE, for wall mounting in single-row, stainless steel, surface satin finished, material thickness 1.2 mm, with 1 1/2" flat perforated waste, with bracket, includes stainless steel screws and dowels.

Dimensions 1200 x 150 x 570 mm (W x H x D), with 2 wash places **with width 600 mm**

**PRES212** 2000100790

Width 1800 mm

**PRES318** 2000100791

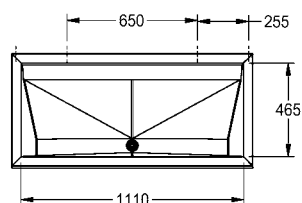
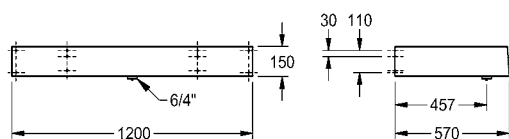
with 2 wash places **with width 700 mm**

Width 1400 mm

**PREL214** 2000100787

Width 2100 mm

**PREL321** 2000100789



Note:  
Fitting units for wall mounting for water supply, see "Washbasin taps" section.





# Single, multiple and children's washbasins

Elegant single and row washbasins (including custom-made or barrier-free versions), countertop washbasins, multiple washbasin systems, children's washbasins, and drinking fountains made of MIRANIT bring flexibility and versatility to modern sanitary facilities. MIRANIT is a stable and breakproof, synthetic resin-bonded mineral granite material which has a smooth, pore-free, high-polished and easy-to-clean gel coat layer. Hand washbasins made of MIRANIT help maintain a clean washroom environment that is ideal in heavily used sanitary facilities.

## Mineral granite washbasins

<b>KWC</b> QUADROtop, RONDAtop countertop washbasins	86
<b>KWC</b> EXOS. single and multiple washbasins, also barrier-free	88
<b>KWC</b> QUADRO, RONDA single and multiple washbasins	89
<b>KWC</b> VARIUS washbasin range/bowl overview and washbasins variants	94
<b>KWC</b> VARIUScare single washbasins, barrier-free	100

## Children's washbasins

<b>KWC</b> GAMBA, LUNA washbasins	101
<b>KWC</b> WASHINO wash-and-play troughs	102
<b>KWC</b> Drinking fountain, fecal sink and accessories	104

## Row washbasin systems

<b>KWC</b> FUTURA exklusiv multiple washbasins	106
--	-----

# QUADROtop and RONDAtop countertop basins

Type

Article Number



## QUADROtop countertop washbasin

QUADROtop countertop basin, made of MIRANIT resin-bonded mineral material with pore-free, alpine white smooth surface (temperature-resistant up to 80 °C). Rectangular shape with rounded edges and seamless bowl, without overflow. No silicone sealant is required due to the invisible seal which is integrated in to the mounting edge. Drilling templates and mounting materials included.

Dimensions 550 x 140 x 370 mm (W x H x D)  
Bowl dimensions 535 x 100 x 355 mm (W x H x D)

**ANMT4001** 2030054382

Optional accessories

Dome waste valve, chrome-plated

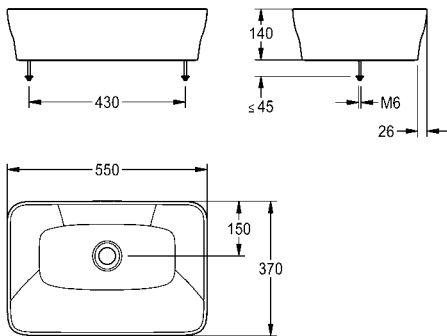
**ZANMW0030** 2030057337

Dome waste valve, white (RAL 9003) powder-coated

**ZANMW0031** 2030057339

Trap "Clic"

**XINX140** 2000057417



## QUADROtop countertop washbasin

QUADROtop countertop basin, made of MIRANIT resin-bonded mineral material with pore-free, alpine white smooth surface (temperature-resistant up to 80 °C). Rectangular shape with rounded edges and seamless bowl, with overflow. No silicone sealant is required due to the invisible seal which is integrated in to the mounting edge. Drilling templates and mounting materials included.

Dimensions 550 x 140 x 380 mm (W x H x D)  
Bowl dimensions 535 x 100 x 355 mm (W x H x D)

**ANMT4002** 2030054383

Optional accessories

Dome waste valve, chrome-plated

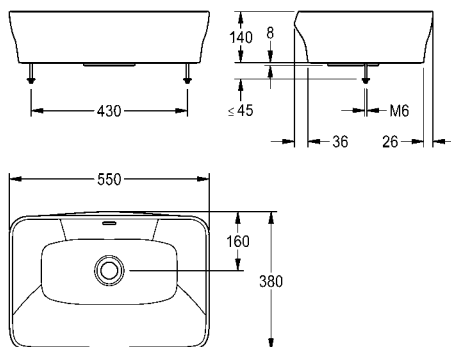
**ZANMW0030** 2030057337

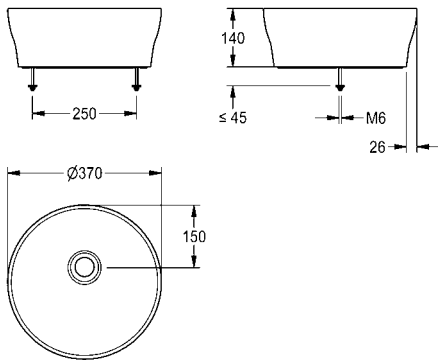
Dome waste valve, white (RAL 9003) powder-coated

**ZANMW0031** 2030057339

Trap "Clic"

**XINX140** 2000057417





### RONDAtop countertop washbasin

RONDAtop countertop basin, made of MIRANIT resin-bonded mineral material with pore-free, alpine white smooth surface (temperature-resistant up to 80 °C). Round shape with seamless bowl, without overflow. No silicone sealant is required due to the invisible seal which is integrated in to the mounting edge. Drilling templates and mounting materials included.

Dimensions 370 x 140 mm (W x H)  
Bowl dimensions 355 x 100 mm (W x H)

**ANMT2001** 2030054380

#### Optional accessories

Dome waste valve, chrome-plated

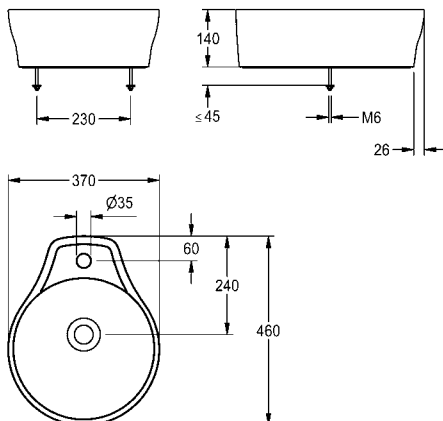
**ZANMW0030** 2030057337

Dome waste valve, white (RAL 9003) powder-coated

**ZANMW0031** 2030057339

Trap "Clic"

**XINX140** 2000057417



### RONDAtop countertop washbasin

RONDAtop countertop basin, made of MIRANIT resin-bonded mineral material with pore-free, alpine white smooth surface (temperature-resistant up to 80°C). Round shape with seamless bowl, without overflow, with shaped, lowered tap ledge and 35 mm tap hole (D). No silicone sealant is required due to the invisible seal which is integrated in to the mounting edge. Drilling templates and mounting materials included.

Dimensions 370 x 140 x 460 mm (W x H x D)  
Bowl dimensions 355 x 100 mm (W x H)

**ANMT2002** 2030054381

#### Optional accessories

Dome waste valve, chrome-plated

**ZANMW0030** 2030057337

Dome waste valve, white (RAL 9003) powder-coated

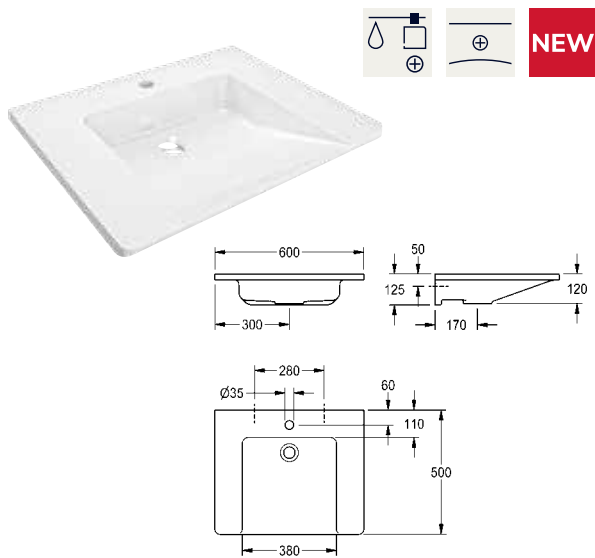
**ZANMW0031** 2030057339

Trap "Clic"

**XINX140** 2000057417

# EXOS. washbasins

Type Article Number



## EXOS. single washbasin

EXOS. single washbasin made of MIRANIT resin-bonded mineral material with pore-free, smooth surface (temperature-resistant up to 80 °C), Alpine white colour. Roll-under, with storage areas, seamless moulded bowl, without overflow, with tap hole 35 mm (D). Mounting on washbasin back panel, including mounting material.

Dimensions 600 x 125 x 500 mm (W x H x D)  
Bowl dimensions 380 x 98 x 390 mm (W x H x D)

**ANMW0010N** 2030073251

**Available from April 2023**

Optional accessories

Dome waste valve, chrome-plated

**ZANMW0030** 2030057337

Dome waste valve, white (RAL 9003) powder-coated

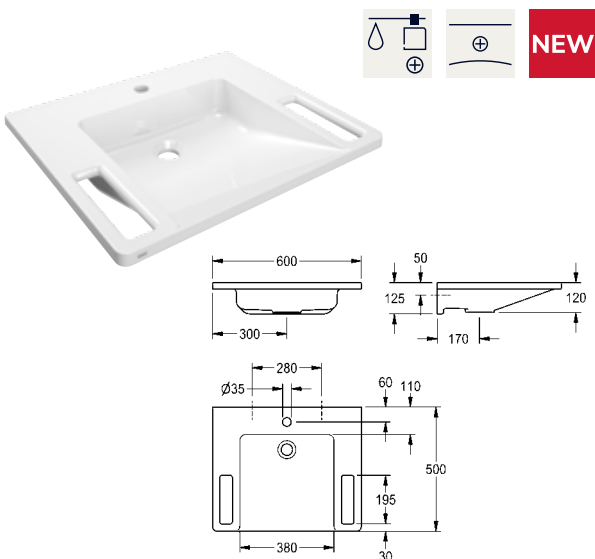
**ZANMW0031** 2030057339

Dome waste valve, stainless steel

**ZANMW0050** 3600001266

Trap "Clic"

**XINX140** 2000057417



## EXOS. single washbasin, barrier-free

EXOS. single washbasin made of MIRANIT resin-bonded mineral material with pore-free, smooth surface (temperature-resistant up to 80 °C), Alpine white colour. Roll-under, with integrated grab rails, storage areas, seamless moulded bowl, without overflow, with tap hole 35 mm (D). Mounting on washbasin back panel, including mounting material.

Dimensions 600 x 125 x 500 mm (W x H x D)  
Bowl dimensions 380 x 98 x 390 mm (W x H x D)

**ANMW0001N** 2030073252

**Available from April 2023**

Optional accessories

Dome waste valve, chrome-plated

**ZANMW0030** 2030057337

Dome waste valve, white (RAL 9003) powder-coated

**ZANMW0031** 2030057339

Dome waste valve, stainless steel

**ZANMW0050** 3600001266



## EXOS. hand washbasin, barrier-free

EXOS. hand washbasin made of MIRANIT resin-bonded mineral material with pore-free smooth surface (temperature-resistant up to 80 °C), Alpine white colour. Roll-under, with integrated grab rails, storage areas, seamless moulded bowl, without overflow, with tap hole 35 mm (D). Mounting on washbasin back panel, including mounting material.

Dimensions 500 x 125 x 400 mm (W x H x D)  
Bowl dimensions 280 x 98 x 290 mm (W x H x D)

**ANMW0003N** 2030073250

**Available from April 2023**

Optional accessories

Dome waste valve, chrome-plated

**ZANMW0030** 2030057337

Dome waste valve, white (RAL 9003) powder-coated

**ZANMW0031** 2030057339

Dome waste valve, stainless steel

**ZANMW0050** 3600001266



**NEW****EXOS. multiple washbasin**

EXOS. multiple washbasin made of MIRANIT resin-bonded mineral material, with pore-free, smooth surface (temperature-resistant up to 80 °C), Alpine white colour. Roll-under, with storage areas, up to six seamlessly moulded bowls, without overflow, with 35 mm tap hole (D). Variable bowl spacing, mounting on washbasin back panel, optionally available with apron and/or upstand or surge edge, including mounting material.

Dimensions 600–3600 x 125 x 500 mm (W x H x D)  
Bowl dimensions 380 x 98 x 390 mm (W x H x D)

Detailed specifications, such as the type of installation and bowl spacing, etc., shall be provided via production sheets based on the individual order (to be requested from KWC Professional).

**Available from April 2023****NEW****EXOS. multiple washbasin, barrier-free**

EXOS. multiple washbasin made of MIRANIT resin-bonded mineral material, with pore-free, smooth surface (temperature-resistant up to 80 °C), Alpine white colour. Roll-under, with integrated grab rails, storage areas, up to four seamlessly moulded bowls, without overflow, with 35 mm tap hole (D). Variable bowl spacing, mounting on washbasin back panel, optionally available with apron and/or upstand or surge edge, including mounting material.

Dimensions 780–3600 x 125 x 500 mm (W x H x D)  
Bowl dimensions 380 x 98 x 390 mm (W x H x D)

Detailed specifications, such as the type of installation and bowl spacing, etc., shall be provided via production sheets based on the individual order (to be requested from KWC Professional).

**Available from April 2023**

# QUADRO washbasins

Type Article Number



## QUADRO single washbasin

QUADRO single washbasin made of MIRANIT resin-bonded mineral material, with smooth, pore-free surface (temperature-resistant up to 80 °C). Colour Alpine white. With seamless, rectangular bowl without overflow. Mounting on washbasin back panel. Rear contoured edge. Three-sided apron 60 mm (H). With tap hole 35 mm (D). Mounting material included.



Dimensions 600 x 125 x 530 mm (W x H x D)  
Bowl dimensions 520 x 40/90 x 375 mm (W x H x D)

**ANMW411** 2000090011

Without tap hole

**ANMW410** 2000090010

Optional accessories

Strainer waste G 1 1/4 B

**ZANMW901** 2000100854

Dome waste valve G 1 1/4 B

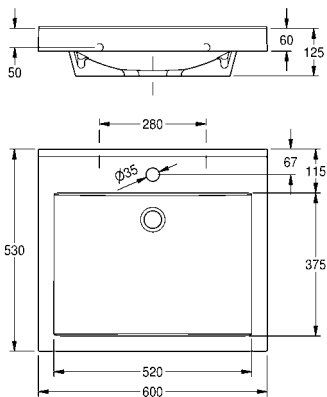
**ZANMW900** 2000100861

Eccentric drain and overflow G 1 1/4 B

**ZANMW902** 2000100932

Trap "Clic"

**XINX140** 2000057417



## QUADRO single washbasin

QUADRO single washbasin made of MIRANIT resin-bonded mineral material, with smooth, pore-free surface (temperature-resistant up to 80 °C). Alpine white colour. With seamless, rectangular bowl without overflow, with taphole. Mounting on washbasin back panel. Rear contoured edge. Three-sided apron 60 mm (H). Mounting material included.



Dimensions 1000 x 60 x 530 (W x H x D)  
Bowl dimensions 580 x 40/90 x 360 (W x H x D)

**ANMW416** 2000101159

Without tap hole

**ANMW417** 2030036243

Optional accessories

Strainer waste G 1 1/4 B

**ZANMW901** 2000100854

Dome waste valve G 1 1/4 B

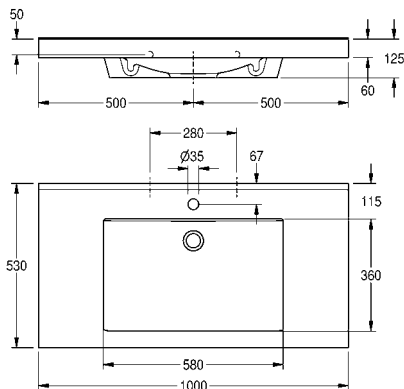
**ZANMW900** 2000100861

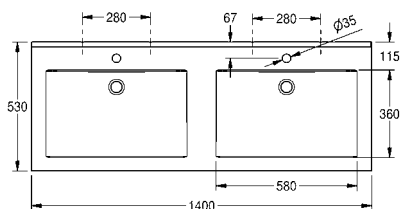
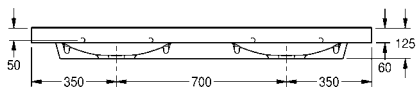
Eccentric drain and overflow G 1 1/4 B

**ZANMW902** 2000100932

Trap "Clic"

**XINX140** 2000057417





### QUADRO double washbasin

QUADRO double washbasin made of MIRANIT resin-bonded mineral material with smooth, pore-free surface (temperature resistant up to 80°C). Colour Alpine white. With two seamless, rectangular bowls, without overflow. Mounting on washbasin back panel. Rear contoured edge. Three-sided apron 60 mm (H). With tap holes 35 mm (D). Mounting material included.

Dimensions 1400 x 125 x 530 mm (W x H x D)  
Bowl dimensions 580 x 90 x 360 mm (W x H x D)

**ANMW421** 2000090013

Without tap holes

**ANMW420** 2000090012

Optional accessories

Strainer waste G 1 1/4 B

**ZANMW901** 2000100854

Dome waste valve G 1 1/4 B

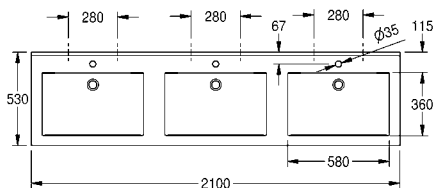
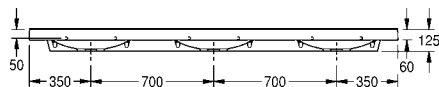
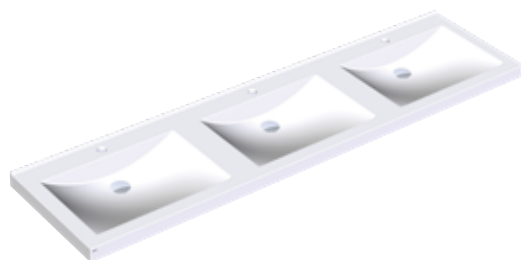
**ZANMW900** 2000100861

Eccentric drain and overflow G 1 1/4 B

**ZANMW902** 2000100932

Trap "Clic"

**XINX140** 2000057417



### QUADRO triple washbasin

QUADRO triple washbasin made of MIRANIT resin-bonded mineral material with smooth, pore-free surface (temperature resistant up to 80 °C). Colour Alpine white. With three seamless, rectangular bowls, without overflow. Mounting on washbasin back panel. Rear contoured edge. Three-sided apron 60 mm (H). With tap holes. Mounting material included.

Dimensions 2100 x 125 x 530 mm (W x H x D)  
Bowl dimensions 580 x 90 x 360 mm (W x H x D)

**ANMW431** 2000090015

Without tap holes

**ANMW430** 2000090014

Optional accessories

Strainer waste G 1 1/4 B

**ZANMW901** 2000100854

Dome waste valve G 1 1/4 B

**ZANMW900** 2000100861

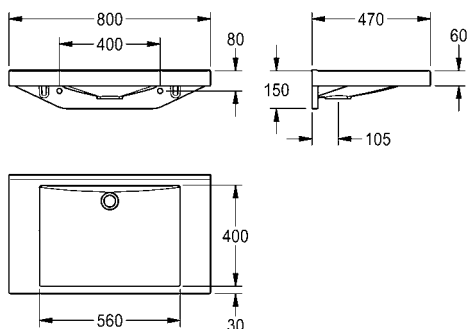
Eccentric drain and overflow G 1 1/4 B

**ZANMW902** 2000100932

Trap "Clic"

**XINX140** 2000057417

# QUADRO-FX washbasin and RONDA washbasins



Type	Article Number
------	----------------

## QUADRO-FX single washbasin

QUADRO-FX single washbasin, made of MIRANIT resin-bonded mineral material, with pore-free, smooth surface (temperature-resistant up to 80 °C), Colour Alpine white. With seamless, rectangular bowl, without overflow and without tap ledge. Mounted on washbasin back panel. Three-sided apron 60 mm (H). Rear surge edge, including mounting material.

Dimensions 800 x 150 x 470 mm (W x H x D)  
Bowl dimensions 560 x 90 x 400 mm (W x H x D)

<b>ANMW0036</b>	2030058091
-----------------	------------

### Optional accessories

Dome waste valve, chrome-plated

<b>ZANMW0030</b>	2030057337
------------------	------------

Dome waste valve, white (RAL 9003) powder-coated

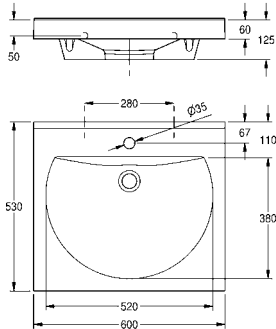
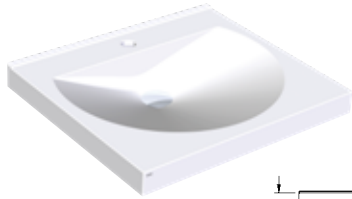
<b>ZANMW0031</b>	2030057339
------------------	------------

Trap "Clic"

<b>XINX140</b>	2000057417
----------------	------------



QUADRO-FX single washbasin for combination with FX-M washplace unit



### RONDA single washbasin

RONDA single washbasin made of MIRANIT resin-bonded mineral material with smooth and pore-free surface (temperature-resistant up to 80 °C). Colour Alpine white. With seamless round bowl, flattened out at the rear, without overflow. Mounting on washbasin back panel. Rear contoured edge. Three-sided apron 60 mm (H). With tap hole 35 mm (D). Mounting material included.

Dimensions 600 x 125 x 530 mm (W x H x D)  
Bowl dimensions 520 x 90 x 380 mm (W x H x D)

**ANMW211** 2000090005

Without tap holes

**ANMW210** 2000090004

Optional accessories

Strainer waste G 1 1/4 B

**ZANMW901** 2000100854

Dome waste valve G 1 1/4 B

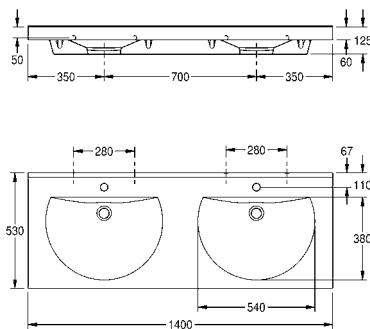
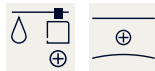
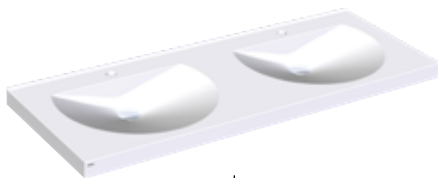
**ZANMW900** 2000100861

Eccentric drain and overflow G 1 1/4 B

**ZANMW902** 2000100932

Trap "Clic"

**XINX140** 2000057417



### RONDA double washbasin

RONDA double washbasin made of MIRANIT resin-bonded mineral material with smooth, pore-free surface (temperature-resistant up to 80 °C). Colour Alpine white. With two seamless round bowls, flattened out at the rear, without overflow. Mounting on washbasin back panel. Rear contoured edge. Three-sided apron 60 mm (H). With tap holes 35 mm (D). Mounting material included.

Dimensions 1400 x 125 x 530 mm (W x H x D)  
Bowl dimensions 540 x 90 x 380 mm (W x H x D)

**ANMW221** 2000090007

Without tap holes

**ANMW220** 2000090006

Optional accessories

Strainer waste G 1 1/4 B

**ZANMW901** 2000100854

Dome waste valve G 1 1/4 B

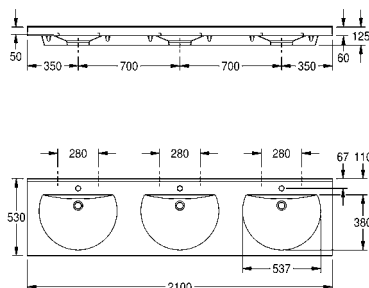
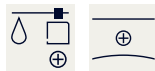
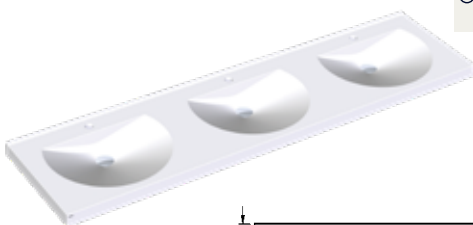
**ZANMW900** 2000100861

Eccentric drain and overflow G 1 1/4 B

**ZANMW902** 2000100932

Trap "Clic"

**XINX140** 2000057417



### RONDA triple washbasin

RONDA triple washbasin made of MIRANIT resin-bonded mineral material with smooth, pore-free surface (temperature-resistant up to 80 °C). Colour Alpine white. With three seamless round bowls, flattened out at the rear, without overflow. Mounting on washbasin back panel. Rear contoured edge. Three-sided apron 60 mm (H). With tap holes 35 mm (D). Mounting material included.

Dimensions 2100 x 125 x 530 mm (W x H x D)  
Bowl dimensions 540 x 90 x 380 mm (W x H x D)

**ANMW231** 2000090009

Without tap holes

**ANMW230** 2000090008

Optional accessories

Strainer waste G 1 1/4 B

**ZANMW901** 2000100854

Dome waste valve G 1 1/4 B

**ZANMW900** 2000100861

Eccentric drain and overflow G 1 1/4 B

**ZANMW902** 2000100932

Trap "Clic"

**XINX140** 2000057417

Overview and meaning of the symbols see page 12-13

# VARIUS washbasins variants / bowl overview

The VARIUS washbasin range represents custom-made sanitary solutions in property construction. A variety of bowl shapes (VARIUSsign) can be seamlessly fitted into the delicate washbasin countertop. Furthermore, a wide range of options offers almost unlimited freedom when it comes to the design:

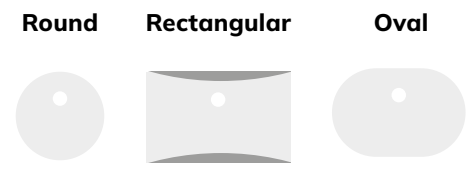
- ➔ Number of bowls and distance between them
- ➔ Holes/cut-outs for accessories
- ➔ Seamlessly designed apron/upstand
- ➔ For a variety of installation methods, e.g. recess installation
- ➔ Range of washbasin counter dimensions and corner designs
- ➔ With or without tap ledge
- ➔ VARIUSsign ETON ROME, OSLO are available with washbasin back panel for mounting

As well as their versatility, VARIUS washbasins offer all the benefits of the MIRANIT resin-bonded mineral material.

## Washbasin shapes







## Bowls – basic shapes



## VARIUSsign: Selection of bowl shapes – round

Without overflow

			
① ROME ② 410 x 90 x 410 mm	① COMO ② 540 x 100 x 380 mm	① MUNICH ② 400 x 150 x 400 mm	① LINZ ② 340 x 150 x 340 mm

Without overflow






With overflow (OF)

			
① ZURICH ② 585 x 160 x 365 mm	① MUNICH OF ② 400 x 150 x 400 mm	① LINZ OF ② 340 x 150 x 340 mm	① ZURICH OF ② 585 x 160 x 365 mm

① Bowl designation | ② Bowl dimensions W x H x D | \* available with back panel for mounting

## VARIUSsign: Selection of bowl shapes – rectangular

Without overflow

				
①	ETON	MILAN	PISA	BERLIN
②	560 x 90 x 400 mm	500 x 130 x 350 mm	550 x 127 x 380 mm	400 x 80 x 320 mm
				
①	PARIS	LILLE	NICE	BERN
②	530 x 85 x 315 mm	600 x 120 x 300 mm	495 x 120 x 320 mm	540 x 140 x 310 mm
				
①	GRAZ	PALMA		
②	405 x 200 x 355 mm	450 x 140 x 280 mm		

With overflow (OF)

			
①	BERN OF	GRAZ OF	PALMA OF
②	540 x 140 x 310 mm	405 x 200 x 355 mm	450 x 140 x 280 mm

## VARIUSsign: Selection of bowl shapes – oval

Without overflow

			
①	OSLO	BILBAO	LONDON
②	555 x 90 x 395 mm	425 x 120 x 290 mm	520 x 145 x 360 mm

With overflow (OF)


LONDON OF
520 x 145 x 360 mm

Mineral granite washbasins

① Bowl designation | ② Bowl dimensions W x H x D | \* available with back panel for mounting

# VARIUS washbasins variants

Type

Article Number

## Examples VARIUSsign



### VARIUS multiple washbasin – straight design

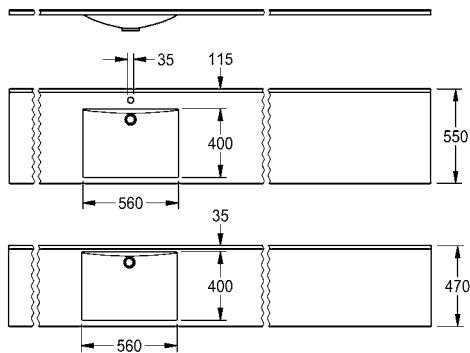
Washbasin – straight design, made of MIRANIT resin-bonded mineral material, colour Alpine white. Individually designable washbasin with seamlessly moulded bowls.

#### with bowl ETON



#### Design options:

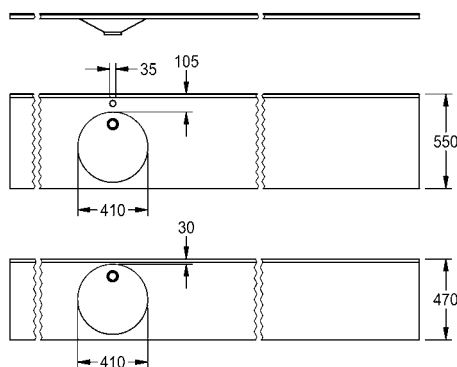
- width of washbasin up to max. 3,600 mm
- different bowl shapes from the VARIUSsign range
- number of bowls depends on bowl dimension
- versions with tap hole for pillar taps
- versions without tap hole for wall-mounted taps
- with or without overflow
- with or without rear contoured edge 3 mm
- with apron, height up to 150 mm
- with rear splash back 10 to 100 mm
- mounting options



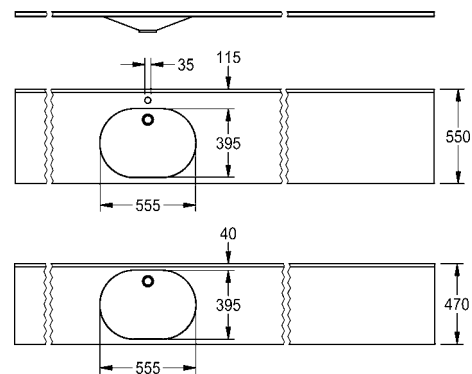
#### Customized fit to building specifications

Detailed specifications are given on an order basis by means of production sheets (available on request).

#### with bowl ROME



#### with bowl OSLO







### VARIUS D-shape washbasin

Washbasin VARIUS D-shape with protruding bowl made of MIRANIT resin-bonded mineral material, colour Alpine White. With up to 3 seamlessly integrated, projecting bowls, without overflow. Variable bowl spacing. Individual Washbasin length. With rear contoured edge. Washbasin thickness 25 mm. Mounting material included.

#### Design options:

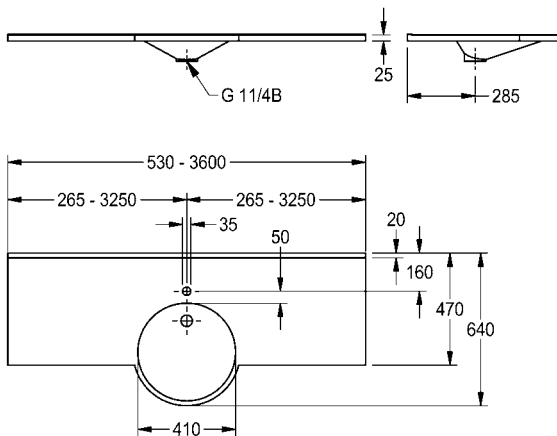
- width of washbasin up to max. 3,600 mm
- 2 different bowl shapes (O, R)
- up to 3 bowls per niche washbasin
- depth of washbasin 640 mm, with tap hole for pillar taps
- depth of washbasin 470 mm, for wall-mounted taps
- with apron, height 60 mm
- with rear splash back
- coated on all sides
- mounting with stainless steel brackets

#### Customized fit to building specifications

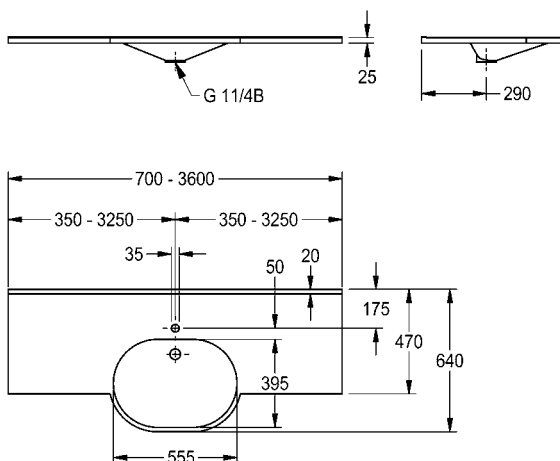
Detailed specifications are given on an order basis by means of production sheets (available on request).



### VARIUS D-shape with bowl R



### VARIUS D-shape with bowl O



# VARIUS washbasins variants

Type

Article Number



## VARIUS L-shape corner washbasin

Washbasin VARIUS L-shape made of MIRANIT resin-bonded mineral material, colour Alpine White. With a seamless incorporated bowl, without overflow. With rear contoured edge. Washbasin thickness 25 mm. Mounting material included.

### Design options:

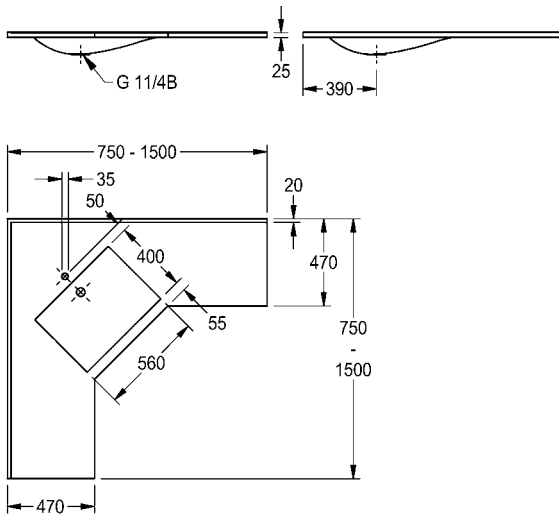
- length of shank of the washbasin left/right side up to max. 1.500 mm
- 3 different bowl shapes (E, O, R)
- depth of washbasin 400 mm with bowl R and O
- depth of washbasin 470 mm with bowl E
- with or without tap hole
- with apron, height 60 mm
- with rear splash back
- coated on all sides
- mounting with stainless steel brackets

### Customized fit to building specifications

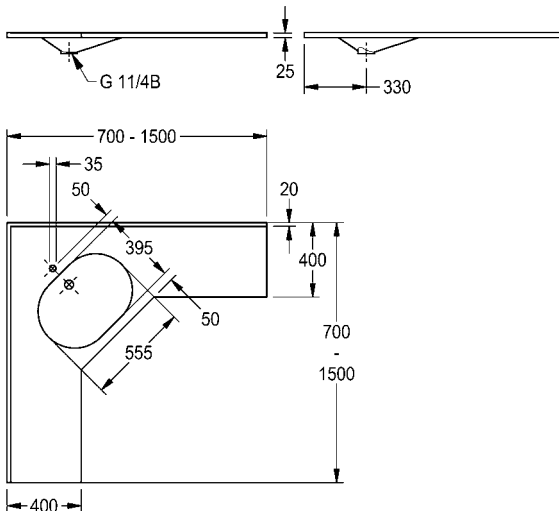
Detailed specifications are given on an order basis by means of production sheets (available on request).



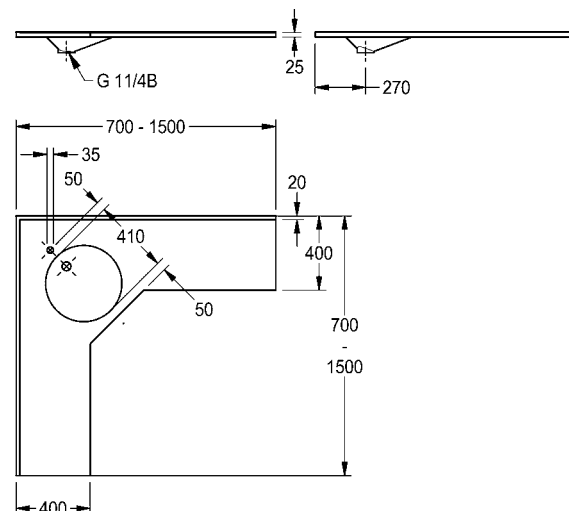
### VARIUS L-shape with bowl E



### VARIUS L-shape with bowl O



### VARIUS L-shape with bowl R





### VARIUS Convex corner washbasin

VARIUS Convex corner washbasin made of MIRANIT resin-bonded mineral material, colour Alpine White. With a seamless incorporated bowl, without overflow. With rear contoured edge, Washbasin thickness 25 mm. Mounting material included.

#### Design options:

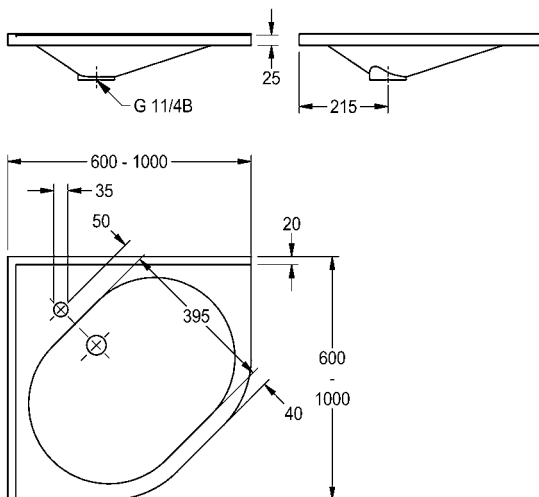
- depth of washbasin max. 1.000 mm
- 2 different bowl shapes (O, R)
- with or without tap hole
- with apron, height 60 mm
- with rear splash back
- coated on all sides

#### Customized fit to building specifications

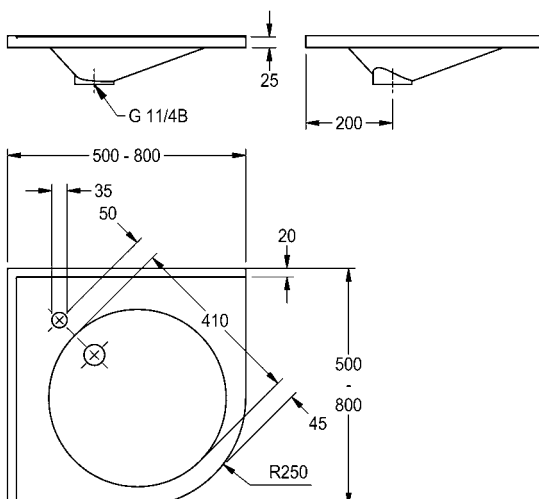
Detailed specifications are given on an order basis by means of production sheets (available on request).



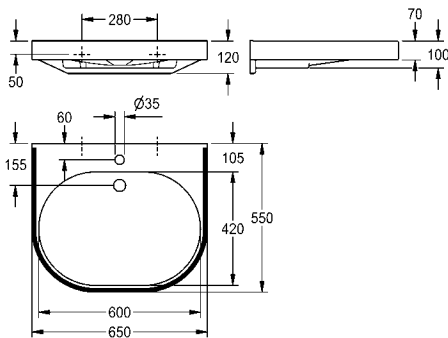
### VARIUS Convex with bowl O



### VARIUS Convex with bowl R



# VARIUScare washbasins, wheelchair accessible, children's washbasins



Type	Article Number
------	----------------

## VARIUScare single washbasin, barrier-free

VARIUScare single wash basin made of MIRANIT resin-bonded mineral material. Colour Alpine white with colour strip (RAL 7022). Wheelchair accessible, with integrated gripping edge. Seamless moulded bowl, without overflow. With tap hole. Mounting on washbasin back panel. Rear contoured edge. Mounting material included.

Dimensions 650 x 120 x 550 mm (W x H x D)  
Bowl dimensions 600 x 80 x 420 mm (W x H x D)

**ANMW500** 2030020956

Dimensions 550 x 120 x 450 mm (W x H x D)  
Recess dimensions 500 x 80 x 325 mm (W x H x D)

**ANMW502** 2030020959

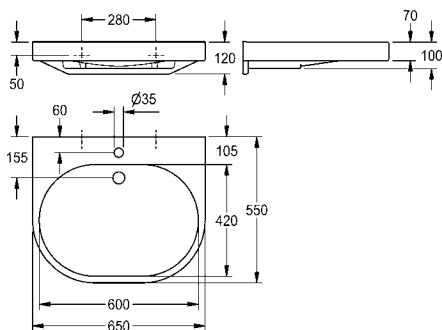
Dimensions 450 x 100 x 350 mm (W x H x D)  
Recess dimensions 400 x 60 x 230 mm (W x H x D)

**ANMW504** 2030020962

### Optional accessories

Strainer waste G 1 1/4 B  
**ZANMW901** 2000100854

Dome waste valve G 1 1/4 B  
**ZANMW900** 2000100861



## VARIUScare single washbasin, barrier-free

VARIUScare single washbasin made of MIRANIT resin-bonded mineral material. Colour Alpine white. Wheelchair accessible, with integrated gripping edge. Seamless moulded bowl, without overflow. With tap hole. Mounting on washbasin back panel. Rear contoured edge. Mounting material included.

Dimensions 650 x 120 x 550 mm (W x H x D)  
Bowl dimensions 600 x 80 x 420 mm (W x H x D)

**ANMW501** 2030020958

Dimensions 550 x 120 x 450 mm (W x H x D)  
Recess dimensions 500 x 80 x 325 mm (W x H x D)

**ANMW503** 2030020961

Dimensions 450 x 100 x 350 mm (W x H x D)  
Recess dimensions 400 x 60 x 230 mm (W x H x D)

**ANMW505** 2030020963

### Optional accessories

Strainer waste G 1 1/4 B  
**ZANMW901** 2000100854

Dome waste valve G 1 1/4 B  
**ZANMW900** 2000100861

Type

Article Number

### GAMBA children's washbasin

GAMBA children's washbasin made of MIRANIT resin-bonded mineral material with non-porous smooth surfaces (temperature-resistant up to 80 °C). Colour Alpine white. The moulded form is round with an asymmetric tap landing with storage space including tap hole and rear upstand. Without overflow. Mounting on washbasin back panel, fixing holes for height adjustment up to 100 mm. Mounting material included.

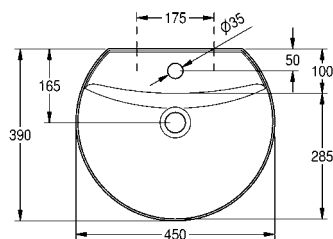
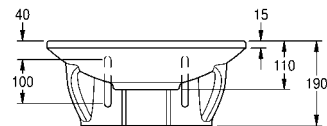
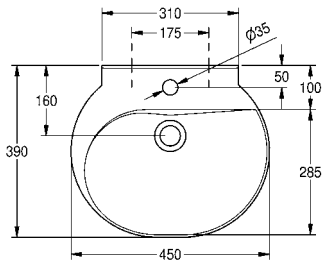
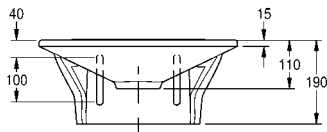
Dimensions 450 x 110 x 390 mm (W x H x D)  
Rear panel height 190 mm

**ANMW198** 2000090002

Optional accessories

Dome waste valve G 1 1/4 B

**ZANMW900** 2000100861



### LUNA children's washbasin

LUNA children's washbasin made of MIRANIT resin-bonded mineral material with non-porous smooth surface (temperature-resistant up to 80 °C). Colour Alpine white. The moulded form is round with a tangential cut and a slightly swept tap landing with storage space including tap hole and small rear upstand. Without overflow. Mounting on washbasin back panel, fixing holes for height adjustment up to 100 mm. Mounting material included.

Dimensions 450 x 110 x 390 mm (W x H x D)  
Rear panel height 190 mm

**ANMW199** 2000090003

Optional accessories

Dome waste valve G 1 1/4 B

**ZANMW900** 2000100861

# WASHINO children's wash-and-play trough

Type

Article Number



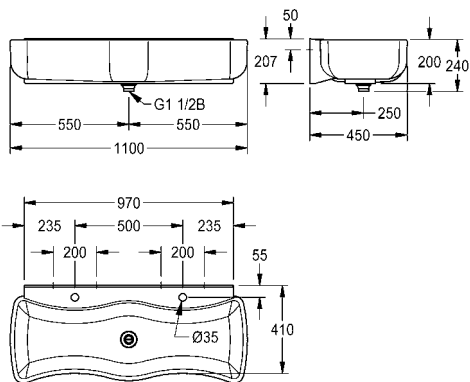
## WASHINO-2 children's wash-and-play trough

WASHINO-2 children's wash-and-play trough made of MIRANIT resin-bonded mineral material, Alpine white colour. With 2 wash places. Wave-shaped basin, large inner and outer radii of basins, with integrated surge edge, tap landing with a tap hole for each wash place. Waste and overflow valve as a standpipe. Mounting on washbasin back panel. Mounting material included.

Dimensions 1100 x 240 x 450 mm (W x H x D)

**SANW200**

2000103056



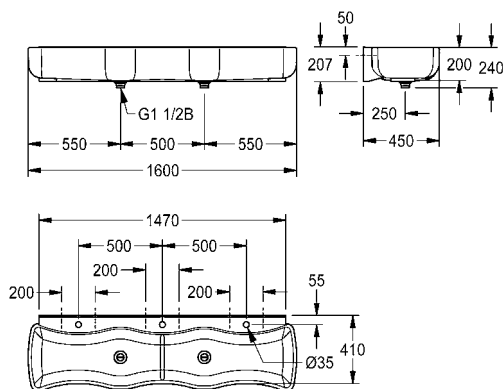
## WASHINO-3 children's wash-and-play trough

WASHINO-3 children's wash-and-play trough made of MIRANIT resin-bonded mineral material, Alpine white colour. With 3 wash places. Wave-shaped basin, large inner and outer radii of basins, with integrated surge edge, tap landing with a tap hole for each wash place. Waste and overflow valve as a standpipe. Mounting on washbasin back panel. Mounting material included.

Dimensions 1600 x 240 x 450 mm (W x H x D)

**SANW215**

2000106654





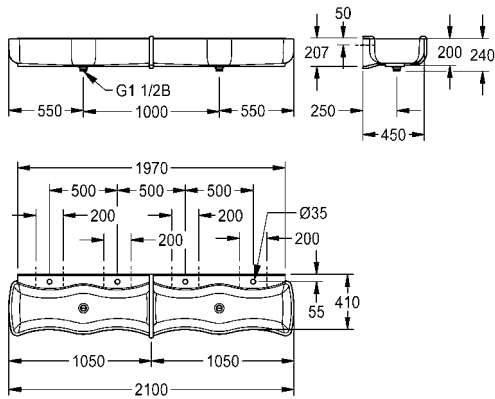
### WASHINO-4 children's wash-and-play trough

WASHINO-4 children's wash-and-play trough made of MIRANIT resin-bonded mineral material, Alpine white colour. With 4 wash places. Wave-shaped basins, large inner and outer radii of basins, with integrated surge edge, tap landing with a tap hole for each wash place. Integrated divider with overflow function made of MIRANIT, blue colour (RAL 5002). Waste and overflow valve as a standpipe for 2 wash places each. Each basin with one waste outlet (distance between the outlets 1000 mm). Mounting on washbasin back panel. Mounting material included.

Dimensions 2100 x 240 x 470 mm (W x H x D)

**SANW205**

2000103057



### WASHINO-Step children's wash-and-play trough

WASHINO-Step children's wash-and-play trough made of MIRANIT resin-bonded mineral material, Alpine white colour. Model with basin left top/right bottom. With 4 wash places (2 wash places with a height difference of 100 mm). Wave-shaped basins, large inner and outer radii of basins, with integrated surge edge, tap landing with a tap hole for each wash place. Integrated divider with overflow function made of MIRANIT, blue colour (RAL 5002). Waste and overflow valve as a standpipe for 2 wash places each. Each basin with one waste outlet (distance between the outlets 1000 mm). Mounting on washbasin back panel. Mounting material included.

Dimensions 2100 x 340 x 470 mm (W x H x D)

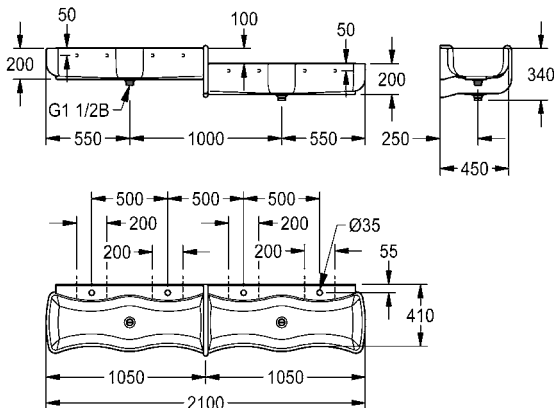
**SANW211**

2000103058

Version with basin on the top right, bottom left

**SANW212**

2000103059



# Drinking fountain, sink and accessories

Type	Article Number
------	----------------



## Wall-mounted drinking fountain

Wall-mounted drinking fountain made of MIRANIT resin-bonded mineral material with pore-free smooth surface (temperature-resistant up to 80 °C), Alpine white colour. With seamlessly moulded round bowl, without overflow, with tap hole 18 mm (D) on the right. Mounted via back panel. Circumference of apron 110 mm (H). With strainer waste G 1 1/4 B, siphon G 1 1/4 B, including mounting materials.

Dimensions 400 x 110 x 400 mm (W x H x D)  
Bowl dimensions 290 x 75 mm (D x H)

<b>SIRW24D</b>	2000105177
----------------	------------

Necessary accessories (optionally)

Drinking fountain tap with push button

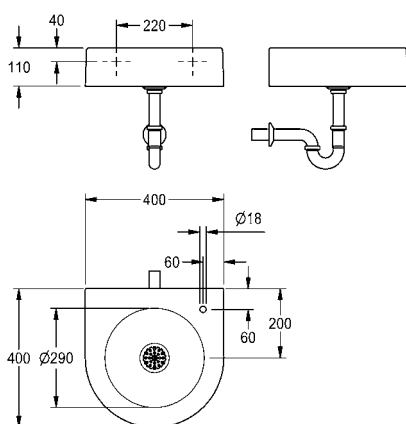
<b>ANMX-BU</b>	213.0654.085
----------------	--------------

Bottle filler tap

<b>ANMX-BT</b>	213.0654.086
----------------	--------------

Self-closing drinking bubbler

<b>AQRM304</b>	2000101118
----------------	------------



## Disposal sink

Disposal sink for wall mounting made of MIRANIT resin-bonded mineral material. With pore-free, smooth surface (temperature-resistant up to 80 °C). Alpine white colour. Round bowl with integrated circular flushing rim, internal horizontal water connection. Integral back panel with integrated brackets and holes for fixing. Fastening material included. Siphon made of plastic material DN 100 with horizontal outlet. With outlet grating made of nickel-chromium steel to prevent clogging.

Dimensions 469 x 414 x 498 mm (W x H x D)  
Bowl diameter 360 mm

<b>SIRW511</b>	2000101200
----------------	------------

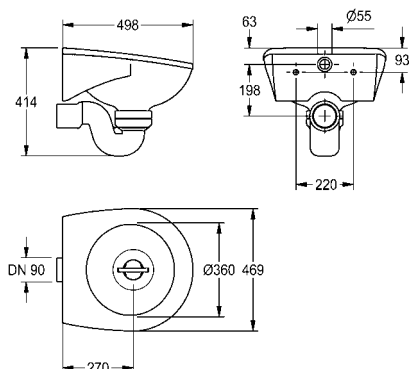
Optional accessories

Bucket grating

<b>SIRX512</b>	2000101201
----------------	------------

Siphon cover

<b>SIRX514</b>	2000101202
----------------	------------





Type

Article Number



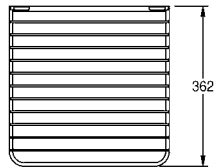
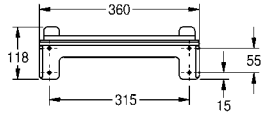
### SIRIUS bucket grating

Bucket grating made of nickel-chromium steel for wall mounting above disposal sink made of MIRANIT, hinged, with tilt protection, fastening material included.

Dimensions 360 x 118 x 362 mm (W x H x D)

**SIRX512**

2000101201



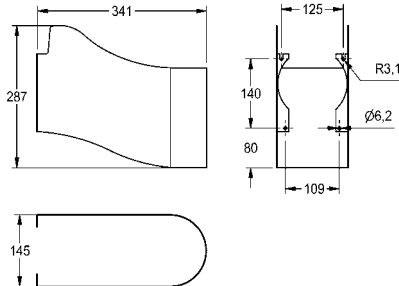
### SIRIUS siphon cover

Siphon cover for disposal sink made of MIRANIT for wall mounting, made of nickel-chromium steel, fastening material included.

Dimensions 145 x 287 x 341 mm (W x H x D)

**SIRX514**

2000101202



### AQUAFIX installation element

AQUAFIX installation frame for disposal sink made of MIRANIT with in-wall cistern. Self-supporting, powder-coated steel frame construction, TÜV tested, for individual mounting for dry wall lining. Condense water isolated in-wall cistern with dual flush (9-3 l or 6-3 l) or start/stop function, triggering via flexible spiral, filling valve noise group I with flexible connection hose, fastening clamp with WC connecting-elbow DN 90/DN 100, with waterproof, multi-bonded laminated wood panel and mounting module with fitting connections G 1/2 for customer-provided on-wall bib tap, with inlet and outlet fitting kit, building protection and fastening material.

Dimensions 525 x 1500 mm (W x H)

**CMPX156**

2000102698

Necessary accessories

Flushing plate made of stainless steel with one button

**AQUA557** 2000067429

Flushing plate made of stainless steel with two buttons for dual flushing or start/stop flush

**AQUA555** 2000067493

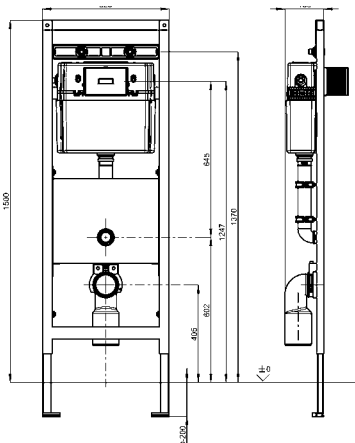
Optional accessories

AQUAFIX wall bracket set for pre-wall installation packaging

unit: 2 items

**ZCMPX140**

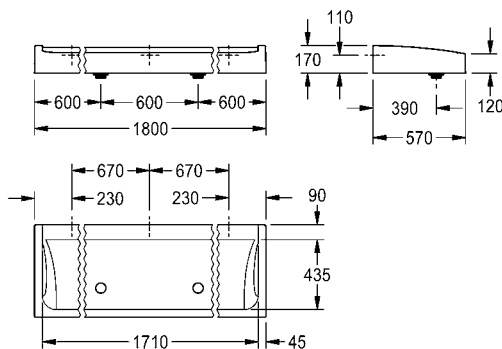
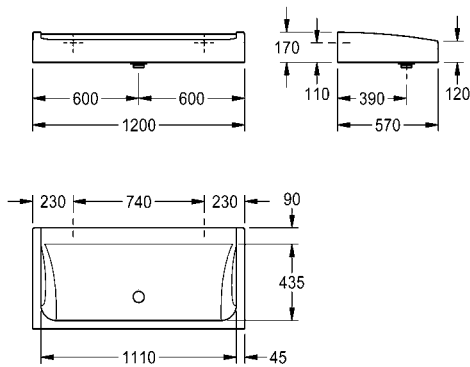
2000100867



## Multiple washbasins FUTURA exklusiv



Convenient cleaning of the hands and body is the first objective for employees at an industrial or commercial establishment after performing hard physical labour. Single-row and double-row sanitary facilities, as well as suitable fitting units for supplying water at every washbasin in the system, give a flexible, safe and friendly sanitary solution.



### FUTURA exklusiv multiple washbasin

FUTURA exklusiv multiple washbasin for wall mounting or free-standing double-row installation, made of MIRANIT resin-bonded mineral material with a smooth pore-free surface (temperature-resistant up to 80 °C), Alpine white colour. 90 mm tap ledge without tap holes, mounting on back panel, all-round apron. Includes G 2 B dome waste valve and mounting material.

Dimensions 1200 x 170 x 570 mm (W x H x D)

For free-standing double-row installation, the bridge feet must be ordered separately.

**SANW1200** 2030057405

Width 1400 mm

**SANW1400** 2030057406

Width 1600 mm

**SANW1600** 2030057407

#### Optional accessories

Angled leg for multiple washbasin for multiple washbasin with 800 mm mounting height to the top front edge

**SANW0118** 2000104999

Angled leg for multiple washbasin for multiple washbasin with 700 mm mounting height to the top front edge

**SANW0117** 2000105049

Bridge leg for multiple washbasin with 700 mm mounting height to the top front edge

**SANW0119** 2030063270

Bridge leg for multiple washbasin with 800 mm mounting height to the top front edge

**SANW0120** 2030063271

### FUTURA exklusiv multiple washbasin

FUTURA exklusiv multiple washbasin for wall mounting or free-standing double-row installation, made of MIRANIT resin-bonded mineral material with a smooth pore-free surface (temperature-resistant up to 80 °C), Alpine white colour. 90 mm tap ledge without tap holes, mounting on back panel, all-round apron. Includes G 2 B dome waste valve and mounting material.

Dimensions 1800 x 170 x 570 mm (W x H x D)

For free-standing double-row installation, the bridge feet must be ordered separately.

**SANW1800** 2030057408

Width 2100 mm

**SANW2100** 2030057409

Width 2400 mm

**SANW2400** 2030057410

#### Optional accessories

Angled leg for multiple washbasin for multiple washbasin with 800 mm mounting height to the top front edge

**SANW0118** 2000104999

Angled leg for multiple washbasin for multiple washbasin with 700 mm mounting height to the top front edge

**SANW0117** 2000105049

Bridge leg for multiple washbasin with 700 mm mounting height to the top front edge

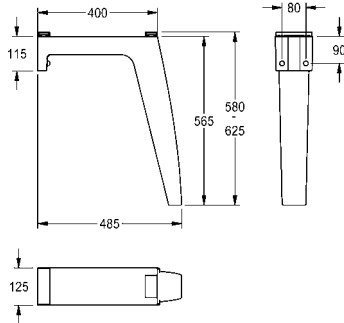
**SANW0119** 2030063270

Bridge leg for multiple washbasin with 800 mm mounting height to the top front edge

**SANW0120** 2030063271

# Multiple washbasins FUTURA exklusiv

Type	Article Number
------	----------------



## Angled leg

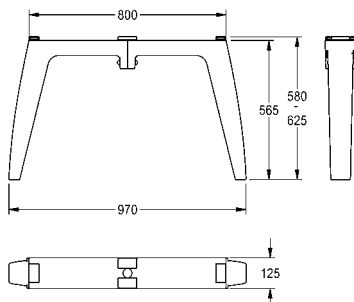
Angled leg for wall mounting, made of resin-bonded mineral material, anthracite colour, for FUTURA exklusiv multiple washbasin with 700 mm mounting height to the top front edge.

Dimensions 125 x 565 x 485 mm (W x H x D)

**SANW0117** 2000105049

for multiple washbasin with 800 mm mounting height to the top front edge

**SANW0118** 2000104999



## Bridge leg

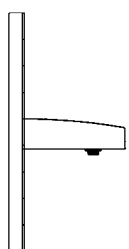
Bridge leg for free-standing double-row installation, made of resin-bonded mineral material, anthracite colour, for FUTURA exklusiv multiple washbasin with 700 mm mounting height to the top front edge.

Dimensions 125 x 565 x 970 mm (W x H x D)

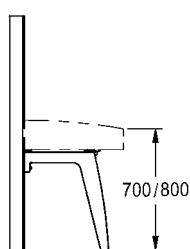
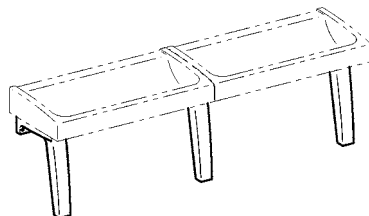
**SANW0119** 2030063270

## Mounting variants FUTURA exklusiv

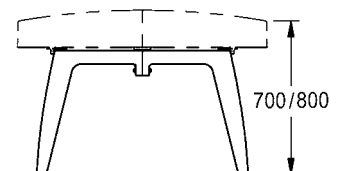
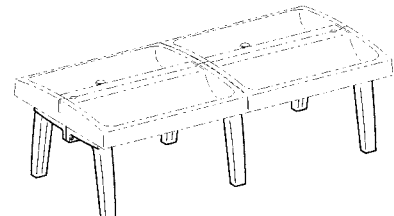
wall mounting



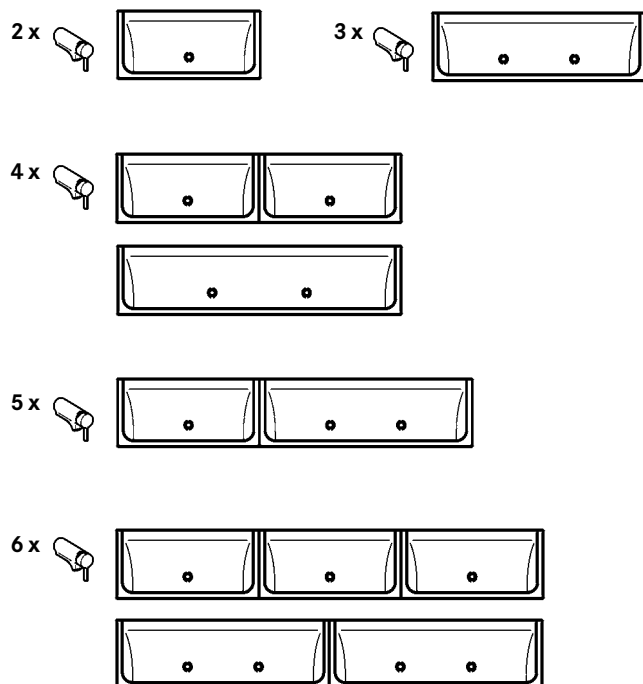
wall mounting with angled legs



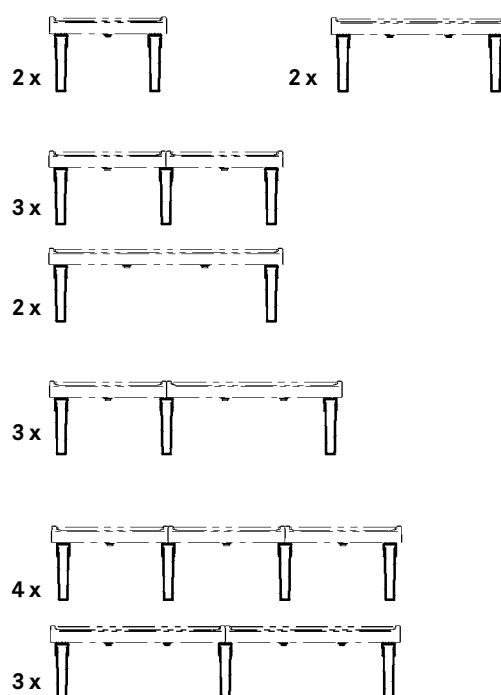
free-standing mounting with bridge legs



**wall mounting / quantity of taps**

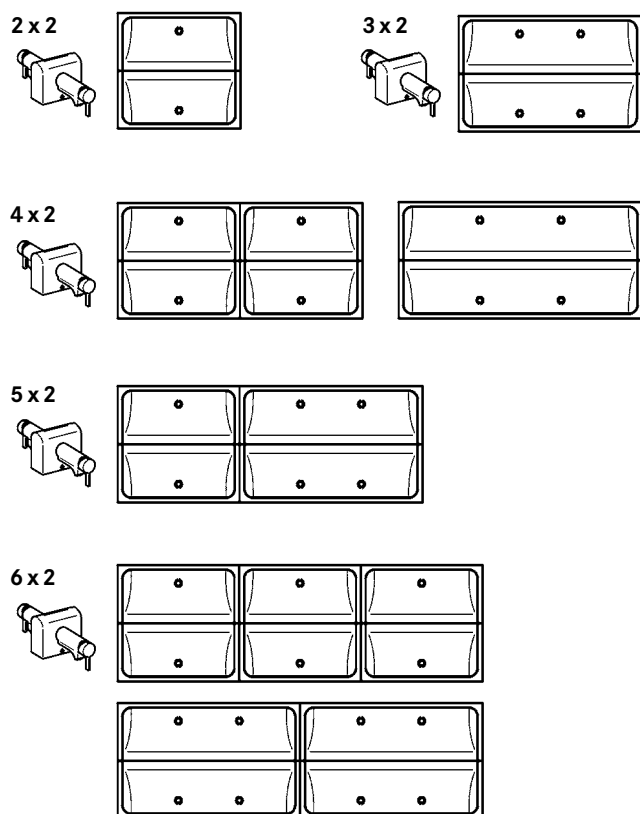


**quantity of angled legs**

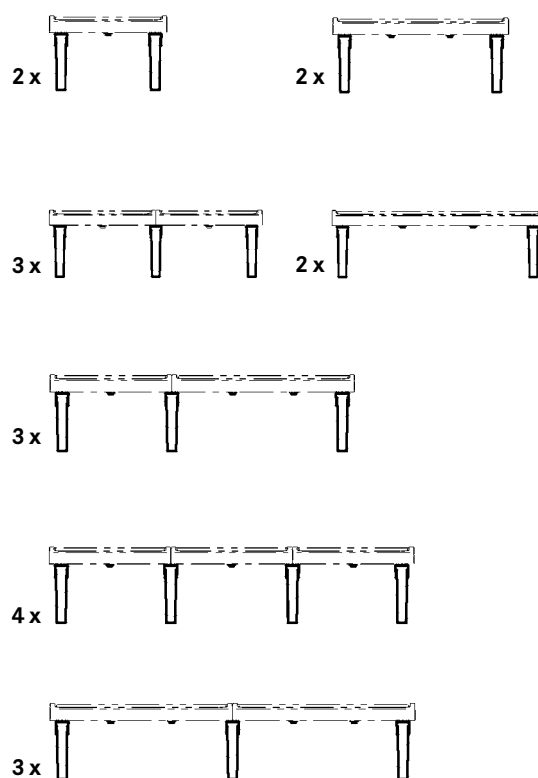


Tap units for wall mounting to water supply for FUTURA exklusiv multiple washbasin see chapter "Washbasin taps"

**double-row mounting / quantity of taps**



**quantity of bridge legs**



Tap units for water supply for FUTURA exklusiv multiple washbasin, double-row, see chapter "Washbasin tap".





# Sanitary facilities for the healthcare sector

Taps, wash places and additional products that are used in hospitals and healthcare facilities must meet specific requirements.

From patients' bathrooms to surgical areas and from clean rooms to visitors' toilets, one thing is clear: Good hygiene saves lives. State-of-the-art thermostat single lever mixers, which feature bracket-shaped handles that are easy to grasp even for people with impaired mobility or motor skills, can be combined with barrier-free wash places made of mineral granite. Surgical wash places and general purpose utility sinks made of this composite material are ideal for use in the medical sector thanks to their non-porous easy-to-clean gel surface coating. They can be manufactured to customised dimensions and offer excellent versatility with respect to the number of basins and storage surfaces. Additional stainless steel sanitary fittings are also optimal in terms of their hygienic and cleaning properties.

## Fittings, washbasins, equipment elements

<b>KWC</b> F4LT-Med thermostatic single lever mixer	112
<b>KWC</b> MEDCARE, EXOS., VARIUScare Waschtische washbasins	118
<b>KWC</b> Washtroughs and washbasins for the op area	127
<b>KWC</b> Removable wall outlets and baby bathtub	129
<b>KWC</b> Multi-purpose basins, plaster sink, cleaner sinks	130

# F4LT-Med thermostatic single-lever mixer

Type

Article Number



## F4LT-Med thermostatic single-lever pillar mixer

F4LT-Med thermostatic single lever mixer as DN 15 pillar mixer **for sanitary facilities in the healthcare and nursing sector**, lever length 172 mm. Thermostat-controlled mixer cartridge with expansion element and active scald protection, fail-safe against backflow, as well as adjustable and turn-proof temperature stop, and ceramic disc technology. Without backflow preventer for optimised drinking water hygiene. Lever cap ergonomically designed in closed construction for contactless lever actuation. For connection to hot water and cold water via hoses, includes strainers. Tap optimised for cleaning, all-metal construction, polished chromium-plated low-lead brass (lead proportion  $\leq 0.2\%$ ), with volume-reduced water flow without nickel coating. Laminar jet controller with integrated flow rate controller 8.0 l/min, projection 135 mm.

**F4LT1010** 2030072403

with connection pipes

**F4LT1011** 2030072405

**Available from April 2023**

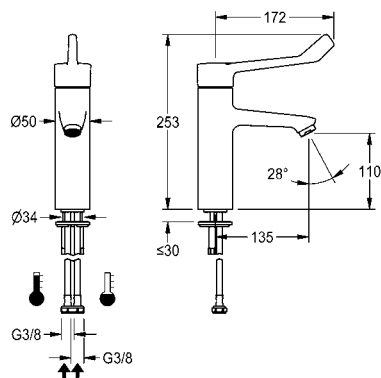
Optional accessories

Anti-twist protection

**ACLM1009** 2030041324

Theft-proof housing for aerator

**ZTAPS0005** 2000104778



## F4LT-Med thermostatic single-lever pillar mixer with pull rod

F4LT-Med thermostatic single lever mixer as DN 15 pillar mixer **for sanitary facilities in the healthcare and nursing sector**, lever length 172 mm. Thermostat-controlled mixer cartridge with expansion element and active scald protection, fail-safe against backflow, as well as adjustable and turn-proof temperature stop, and ceramic disc technology. Without backflow preventer for optimised drinking water hygiene. Lever cap ergonomically designed in closed construction for contactless lever actuation. For connection to hot water and cold water via hoses, includes strainers. Tap optimised for cleaning, all-metal construction, polished chromium-plated low-lead brass (lead proportion  $\leq 0.2\%$ ), with volume-reduced water flow without nickel coating. Laminar jet controller with integrated flow rate controller 8.0 l/min, projection 135 mm. With chrome-plated pop-up waste set waste fitting kit G 1 1/4.

**F4LT1015** 2030072404

with connection pipes

**F4LT1016** 2030072406

**Available from April 2023**

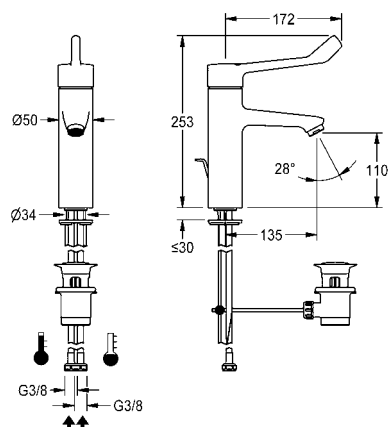
Optional accessories

Anti-twist protection

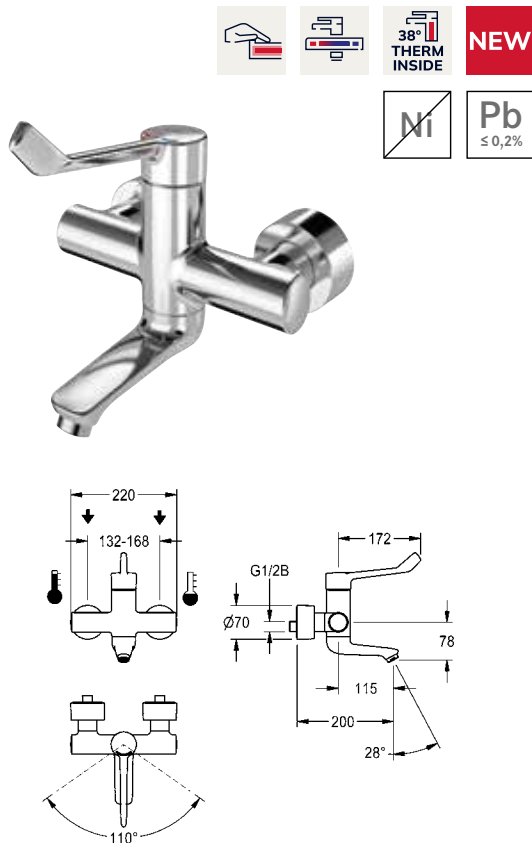
**ACLM1009** 2030041324

Theft-proof housing for aerator

**ZTAPS0005** 2000104778





**F4LT-Med thermostatic single-lever wall-mounted mixer**

F4LT-Med thermostatic single lever mixer as DN 15 wall-mounted mixer, for wall mounting with lockable swivelling spout, **for sanitary facilities in the healthcare and nursing sector**, lever length 172 mm. Thermostat-controlled mixer cartridge with expansion element and active scald protection, fail-safe against backflow as well as adjustable, turn-proof temperature stop, ceramic disc technology and flow rate controller 9.0 l/min. Without backflow preventer for optimised drinking water hygiene. Lever cap ergonomically designed in closed construction for contactless lever actuation. For connecting to hot and cold water. Tap optimised for cleaning, scald-protected, safe-touch housing, all-metal construction, polished chromium-plated brass. Decoupled from the tap housing, volume-reduced, smooth water flow from low-lead brass (lead proportion  $\leq 0.2\%$ ), and without nickel coating. With thermal insulation components to reduce heat transfer from the tap housing to the cold-water line. Self-emptying spout with laminar jet controller. With adjustable and lockable connections with strainers, fully covered by depth-adjustable screw rosettes. 200 mm projection.

**F4LT1024**

2030072407

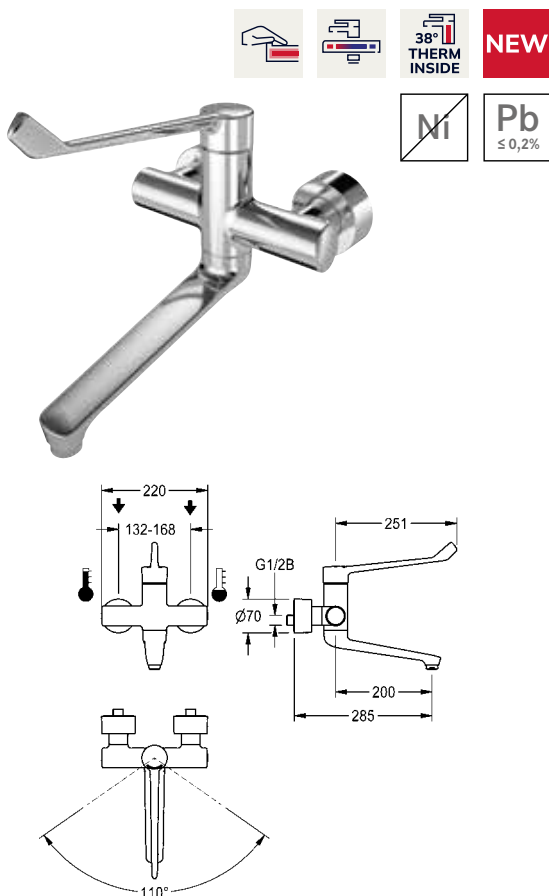
**Available from April 2023**

Optional accessories

Theft-proof housing for aerator

**ZTAPS0005**

2000104778

**F4LT-Med thermostatic single-lever wall-mounted mixer**

F4LT-Med thermostatic single lever mixer as DN 15 wall-mounted mixer, for wall mounting with lockable swivelling spout, **for surgical sanitary facilities and unclean work spaces in the healthcare and nursing sector**, lever length 251 mm. Thermostat-controlled mixer cartridge with expansion element and active scald protection, fail-safe against backflow as well as adjustable, turn-proof temperature stop, ceramic disc technology and flow rate controller 9.0 l/min. Without backflow preventer for optimised drinking water hygiene. Lever cap ergonomically designed in closed construction for contactless lever actuation. For connecting to hot and cold water. Tap optimised for cleaning, scald-protected, safe-touch housing, all-metal construction, polished chromium-plated brass. Decoupled from the tap housing, volume-reduced, smooth water flow from low-lead brass (lead proportion  $\leq 0.2\%$ ), and without nickel coating. With thermal insulation components to reduce heat transfer from the tap housing to the cold-water line. Self-emptying spout with laminar jet controller. With adjustable and lockable connections with strainers, fully covered by depth-adjustable screw rosettes. 285 mm projection.

**F4LT1025**

2030072408

**Available from June 2023**

Optional accessories

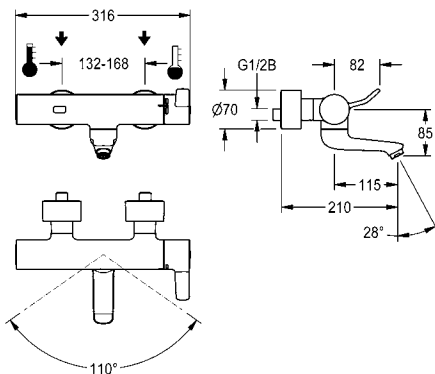
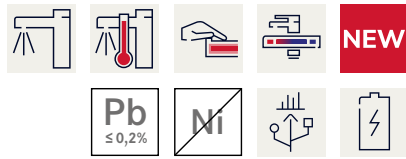
Theft-proof housing for aerator

**ZTAPS0005**

2000104778

# F4LT-Med thermostatic single-lever mixer, F4MT-Med thermostat bath mixer

Type Article Number



## F4LT-Med electronic thermostatic wall-mounted mixer

F4ET-Med thermostatic wall-mounted mixer as DN 15 wall-mounted mixer, for wall mounting with lockable swivelling spout, **for sanitary facilities in the healthcare and nursing sector**. Opto-electronically controlled, triggered by hand movement with subsequent automatic switching to body detection. Thermostat with metal handle, including lever for reduced-touch operation, and adjustable, turn-proof temperature stop. With the option of manual thermal disinfection. For connecting to hot and cold water. Control electronics, stagnation-free hygiene solenoid valve cartridge, flow rate controller 9.0 l/min, 6 V lithium battery (CR-P2) and sensor in the scald-protected safe-touch housing, polished chromium-plated brass. Decoupled from the tap housing, volume-reduced, smooth water flow from low-lead brass (lead proportion  $\leq 0.2\%$ ), and without nickel coating. With thermal insulation components to reduce heat transfer from the tap housing to the cold-water line. Self-emptying spout with laminar jet controller. With adjustable and lockable connections with backflow preventers and strainers, fully covered by depth-adjustable screw rosettes. 210 mm projection. Activated water hygiene flushing 24 hours after last activation, safety switch-off for continuous reflection and saving of statistical data. With option for parametrisation and communication via optional, bidirectional remote control.

F4ET1001 2030072424

### Available from June 2023

Optional accessories

Bidirectional remote control

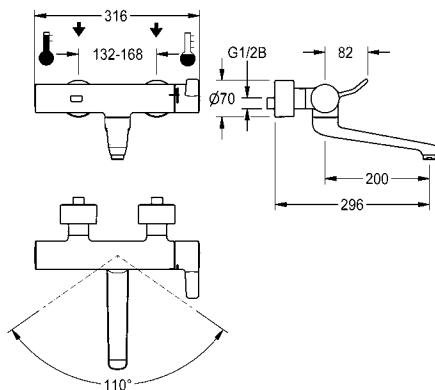
ACEX9005 2030036654

2-button remote control

ACEX9004 2030036849

Theft-proof housing for aerator

ZTAPS0005 2000104778



## F4ET-Med electronic thermostatic wall-mounted mixer

F4ET-Med thermostatic wall-mounted mixer as DN 15 wall-mounted mixer, for wall mounting with lockable swivelling spout, **for surgical sanitary facilities in the healthcare and nursing sector**. Opto-electronically controlled, triggered by hand movement with subsequent automatic switching to body detection. Thermostat with metal handle, including lever for reduced-touch operation, and adjustable, turn-proof temperature stop. With the option of manual thermal disinfection. For connecting to hot and cold water. Control electronics, stagnation-free hygiene solenoid valve cartridge, flow rate controller 9.0 l/min, 6 V lithium battery (CR-P2) and sensor in the scald-protected safe-touch housing, polished chromium-plated brass. Decoupled from the tap housing, volume-reduced, smooth water flow from low-lead brass (lead proportion  $\leq 0.2\%$ ), and without nickel coating. With thermal insulation components to reduce heat transfer from the tap housing to the cold-water line. Self-emptying spout with laminar jet controller. With adjustable and lockable connections with backflow preventers and strainers, fully covered by depth-adjustable screw rosettes. 296 mm projection. Activated water hygiene flushing 24 hours after last activation, safety switch-off for continuous reflection and saving of statistical data. With option for parametrisation and communication via optional, bidirectional remote control.

F4ET1002 2030072425

### Available from June 2023

Optional accessories

Bidirectional remote control

ACEX9005 2030036654

2-button remote control

ACEX9004 2030036849

Theft-proof housing for aerator

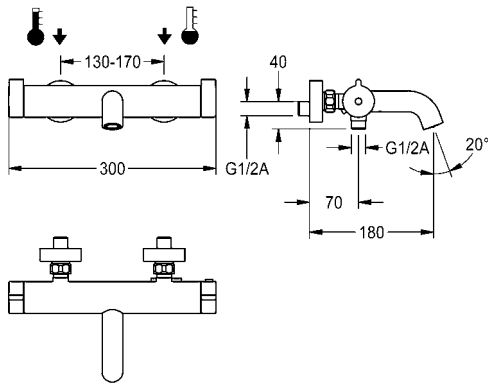
ZTAPS0005 2000104778


**NEW**
**F4MT-Med thermostat bath mixer**

F4MT-Med thermostat bath mixer with fixed spout as a two-handle wall-mounted mixer DN 15, fitting group I, for wall mounting **for baths in the healthcare and nursing sector**, for connecting to hot and cold water. Ceramic valve cartridge with rotary handle for flow regulation, mixer water shut-off, as well as integrated diverter for bathtub and hand shower. Thermostat-controlled mixer cartridge with expansion element and active scald protection, fail-safe against backflow as well as adjustable, turn-proof temperature stop, preset to 38 °C and option to carry out manual thermal disinfection. Tap optimised for cleaning with ergonomically designed handles, scald-protected safe-touch housing with hand shower connection 13 l/min, G 1/2 B, bath spout with laminar jet controller 20 l/min and back-flow preventer. All-metal construction, high-polished chrome-plated. Double-walled tap housing for reducing the heat transfer from the tap housing to the cold water line, with volume-reduced and smooth water lines. With adjustable connections with strainers, fully covered by depth-adjustable screw rosettes. 180 mm bath spout projection.


**F4MT2001**

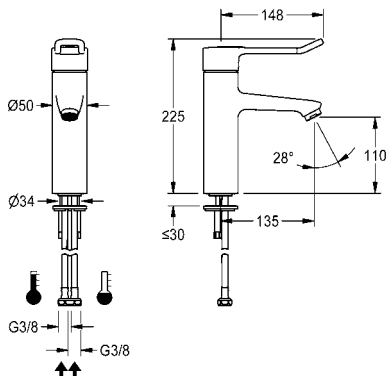
3600000189



# F4LT-Med thermostatic single-lever mixer

Type

Article Number



## F4LT-Med thermostatic single-lever pillar mixer

F4LT-Med thermostatic single lever mixer as DN 15 pillar mixer **for sanitary facilities in the healthcare and nursing sectors**, with 148 mm lever. Thermostat-controlled mixer cartridge with expansion element and active scald protection, fail-safe against backflow as well as adjustable and turn-proof temperature stop, and ceramic disc technology. Without additional backflow preventer for optimised drinking water hygiene. Lever cap in ergonomic bracket design, with slight curvature in the front and basalt-grey coating, in line with two-senses principle (tactile and visual). For connection to hot water and cold water via hoses, includes strainers. Tap optimised for cleaning, all-metal construction, polished chromium-plated low-lead brass (lead proportion  $\leq 0.2\%$ ), with volume-reduced water flow without nickel coating. Laminar jet controller with integrated flow rate controller 8.0 l/min, projection 135 mm.

**F4LT1002** 2030066749

with connection pipes

**F4LT1008** 2030068119

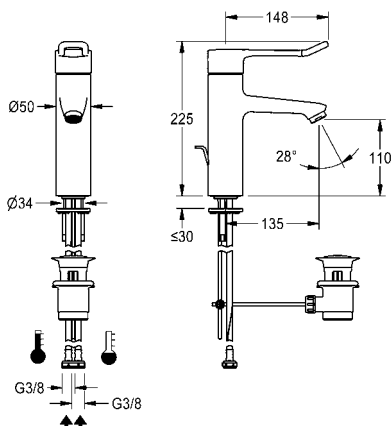
Optional accessories

Theft-proof housing for aerator

**ZTAPS0005** 2000104778

Anti-twist protection

**ACLM1009** 2030041324



## F4LT-Med thermostatic single-lever pillar mixer with pull rod

F4LT-Med thermostatic single lever mixer as DN 15 pillar mixer **for sanitary facilities in the healthcare and nursing sectors**, with 148 mm lever. Thermostat-controlled mixer cartridge with expansion element and active scald protection, fail-safe against backflow as well as adjustable and turn-proof temperature stop, and ceramic disc technology. Without additional backflow preventer for optimised drinking water hygiene. Lever cap with an ergonomic bracket design and slight curvature in the front with basalt-grey coating, in line with two-senses principle (tactile and visual). For connection to hot water and cold water via hoses, includes strainers. Tap optimised for cleaning, all-metal construction, polished chromium-plated low-lead brass (lead proportion  $\leq 0.2\%$ ), with volume-reduced water flow without nickel coating. Laminar jet controller with integrated flow rate controller 8.0 l/min, projection 135 mm. With chrome-plated pop-up waste set waste fitting kit G 1 1/4.

**F4LT1003** 2030067801

with connection pipes

**F4LT1009** 2030068120

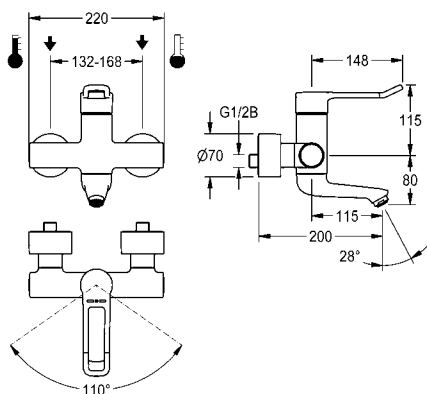
Optional accessories

Anti-twist protection

**ACLM1009** 2030041324

Theft-proof housing for aerator

**ZTAPS0005** 2000104778



#### F4LT-Med thermostatic single-lever wall-mounted mixer

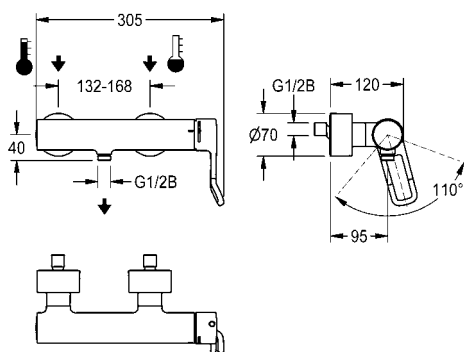
F4LT-Med thermostatic single lever mixer as DN 15 wall-mounted mixer for wall mounting with lockable swivelling spout, **for sanitary facilities in the healthcare and nursing sectors**, with 148 mm lever. Thermostat-controlled mixer cartridge with expansion element and active scald protection, fail-safe against backflow as well as adjustable and turn-proof temperature stop, and ceramic disc technology. Without additional backflow preventer for optimised drinking water hygiene. Lever cap with an ergonomic bracket design and slight curvature in the front with basalt-grey coating, in line with two-senses principle (tactile and visual). For connection to hot and cold water. Tap optimised for cleaning, scald-protected, safe-touch housing, all-metal construction, polished chromium-plated brass. Decoupled from the tap housing, volume-reduced, smooth water flow from low-lead brass (lead proportion  $\leq 0.2\%$ ), and without nickel coating. With thermal insulation components to reduce heat transfer from the tap housing to the cold-water line. Self-emptying spout with flow rate controller 9.0 l/min and laminar jet controller. With adjustable and lockable connections with strainers, fully covered by depth-adjustable screw rosettes. Projection 200 mm.

**F4LT1005** 2030066753

Optional accessories

Theft-proof housing for aerator

**ZTAPS0005** 2000104778



#### F4LT-Med thermostatic single-lever wall-mounted mixer with hand shower connection

F4LT-Med thermostatic single lever mixer as DN 15 wall-mounted mixer for wall mounting, **for shower facilities in the healthcare and nursing sectors**, with 118 mm lever. Thermostat-controlled mixer cartridge with expansion element and active scald protection, fail-safe against backflow as well as adjustable and turn-proof temperature stop, and ceramic disc technology. Without additional backflow preventer for optimised drinking water hygiene. Lever cap with an ergonomic bracket design and slight curvature in the front with basalt-grey coating, in line with two-senses principle (tactile and visual). For connection to hot and cold water. Tap optimised for cleaning, scald-protected, safe-touch housing with hand shower connection, G 1/2 B. All-metal construction, polished chromium-plated brass. Decoupled from the tap housing, volume-reduced, smooth water flow from low-lead brass (lead proportion  $\leq 0.2\%$ ), and without nickel coating. With thermal insulation components to reduce heat transfer from the tap housing to the cold-water line. With adjustable and lockable connections with strainers, fully covered by depth-adjustable screw rosettes.

**F4LT2003** 2030066757

Optional accessories

Hand shower

**ACXX2007** 2030051216

Shower bracket with shower holder

**ACXX2008** 2030051217

Drain valve for automatic shower hose drainage

**ACXX2009** 2030068123

# MEDCARE single washbasins

Type Article Number



## MEDCARE single washbasin, barrier-free

MEDCARE single washbasin made of MIRANIT resin-bonded mineral material with pore-free smooth surface (temperature-resistant up to 80 °C), Alpine white colour. Roll-under, with integrated grab rails, edged with a colour strip in basalt grey. With seamless moulded bowl, overflow and top hole 35 mm (D). Mounting on washbasin back panel. Rear surge edge, including mounting material.

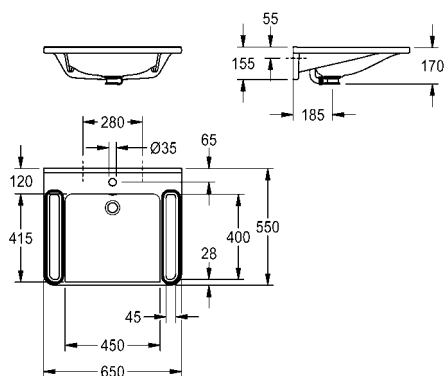
Dimensions 650 x 150 x 550 mm (W x H x D)  
Bowl dimensions 450 x 117 x 415 mm (W x H x D)

**ANMW0038** 2030070763

### Optional accessories

Dome waste valve, chrome-plated

**ZANMW0030** 2030057337



## MEDCARE single washbasin, barrier-free

MEDCARE single washbasin made of MIRANIT resin-bonded mineral material with pore-free smooth surface (temperature-resistant up to 80 °C), Alpine white colour. Roll-under, with integrated grab rails, edged with a colour strip in basalt grey. Seamless moulded bowl, without overflow, without tap hole. Mounting on washbasin back panel. Rear surge edge, including mounting material.

Dimensions 650 x 150 x 550 mm (W x H x D)  
Bowl dimensions 450 x 117 x 415 mm (W x H x D)

**ANMW0042** 2030072428

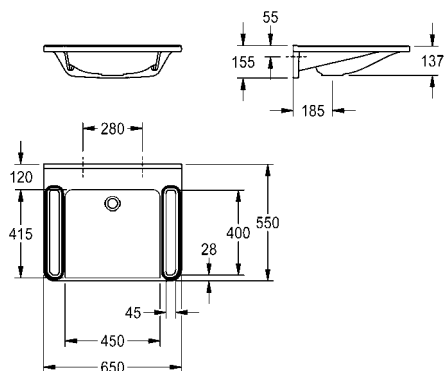
### Optional accessories

Strainer waste G 1 1/4 B

**ZANMW901** 2000100854

Dome waste valve, chrome-plated

**ZANMW0030** 2030057337



**NEW****MEDCARE single washbasin, barrier-free**

MEDCARE single washbasin made of MIRANIT resin-bonded mineral material with pore-free smooth surface (temperature-resistant up to 80 °C), Alpine white colour. Roll-under, with integrated grab rails, seamless moulded bowl, overflow and tap hole 35 mm (D). Mounting on washbasin back panel. Rear surge edge, including mounting material.

Dimensions 650 x 150 x 550 mm (W x H x D)  
Bowl dimensions 450 x 117 x 415 mm (W x H x D)

**ANMW0039** 2030070764

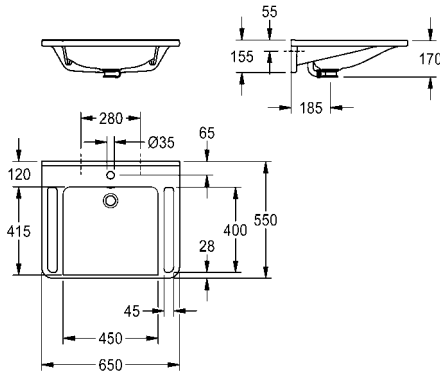
without tap hole

**ANMW0040** 2030072426

Optional accessories

Dome waste valve, chrome-plated

**ZANMW0030** 2030057337

**NEW****MEDCARE single washbasin, barrier-free**

MEDCARE single washbasin made of MIRANIT resin-bonded mineral material with pore-free smooth surface (temperature-resistant up to 80 °C), Alpine white colour. Roll-under, with integrated grab rails, seamless moulded bowl, without overflow, with tap hole 35 mm (D). Mounting on washbasin back panel. Rear surge edge, including mounting material.

Dimensions 650 x 150 x 550 mm (W x H x D)  
Bowl dimensions 450 x 117 x 415 mm (W x H x D)

**ANMW0041** 2030072427

without tap hole

**ANMW0043** 2030072429

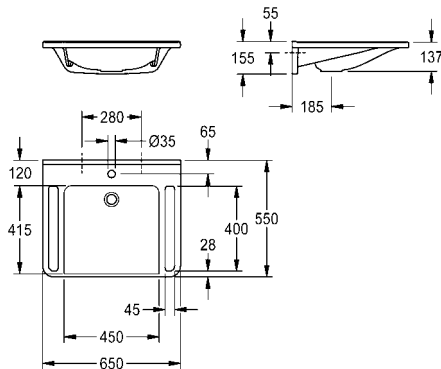
Optional accessories

Strainer waste G 1 1/4 B

**ZANMW901** 2000100854

Dome waste valve, chrome-plated

**ZANMW0030** 2030057337



# MEDCARE single washbasins

Type Article Number



**NEW**

## MEDCARE single washbasin, barrier-free

MEDCARE single washbasin made of MIRANIT resin-bonded mineral material with pore-free smooth surface (temperature-resistant up to 80 °C), Alpine white colour. Roll-under, with integrated grab rails, edged with a colour strip in basalt grey. With storage areas, seamless moulded bowl, overflow and tap hole 35 mm (D). Mounting on washbasin back panel. Rear surge edge, including mounting material.

Dimensions 850 x 150 x 550 mm (W x H x D)  
Bowl dimensions 500 x 117 x 415 mm (W x H x D)

**ANMW0046** 2030070523

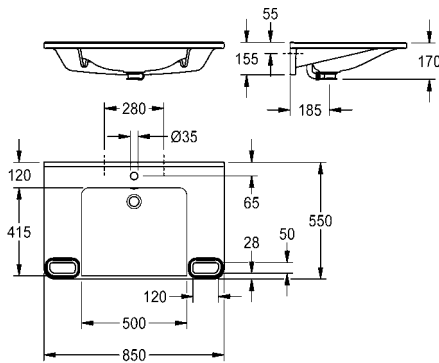
without tap hole

**ANMW0048** 2030072432

Optional accessories

Dome waste valve, chrome-plated

**ZANMW0030** 2030057337



**NEW**

## MEDCARE single washbasin, barrier-free

MEDCARE single washbasin made of MIRANIT resin-bonded mineral material with pore-free smooth surface (temperature-resistant up to 80 °C), Alpine white colour. Roll-under, with integrated grab rails, edged with a colour strip in basalt grey. With storage areas, seamless moulded bowl, without overflow, with tap hole 35 mm (D). Mounting on washbasin back panel. Rear surge edge, including mounting material.

Dimensions 850 x 150 x 550 mm (W x H x D)  
Bowl dimensions 500 x 117 x 415 mm (W x H x D)

**ANMW0050** 2030072434

without tap hole

**ANMW0052** 2030072436

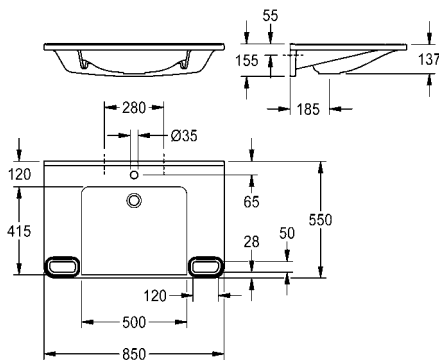
Optional accessories

Strainer waste G 1 1/4 B

**ZANMW901** 2000100854

Dome waste valve, chrome-plated

**ZANMW0030** 2030057337





**NEW****MEDCARE single washbasin, barrier-free**

MEDCARE single washbasin made of MIRANIT resin-bonded mineral material with pore-free smooth surface (temperature-resistant up to 80 °C), Alpine white colour. Roll-under, with integrated grab rails, storage areas, seamless moulded bowl, overflow and tap hole 35 mm (D). Mounting on washbasin back panel. Rear surge edge, including mounting material.

Dimensions 850 x 150 x 550 mm (W x H x D)  
Bowl dimensions 500 x 117 x 415 mm (W x H x D)

**ANMW0047** 2030070524

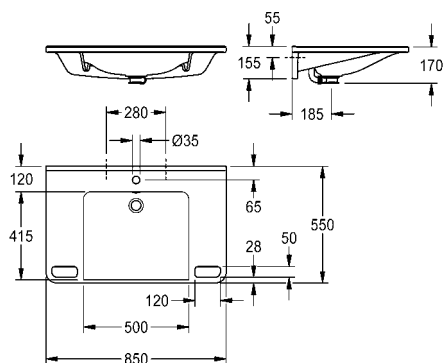
without tap hole

**ANMW0049** 2030072433

Optional accessories

Dome waste valve, chrome-plated

**ZANMW0030** 2030057337

**NEW****MEDCARE single washbasin, barrier-free**

MEDCARE single washbasin made of MIRANIT resin-bonded mineral material with pore-free smooth surface (temperature-resistant up to 80 °C), Alpine white colour. Roll-under, with integrated grab rails, storage areas, seamless moulded bowl, without overflow, with tap hole 35 mm (D). Mounting on washbasin back panel. Rear surge edge, including mounting material.

Dimensions 850 x 150 x 550 mm (W x H x D)  
Bowl dimensions 500 x 117 x 415 mm (W x H x D)

**ANMW0051** 2030072435

without tap hole

**ANMW0053** 2030072437

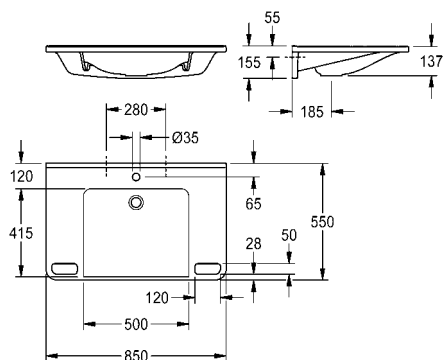
Optional accessories

Strainer waste G 1 1/4 B

**ZANMW901** 2000100854

Dome waste valve, chrome-plated

**ZANMW0030** 2030057337



# MEDCARE single washbasins

Type	Article Number
------	----------------



## MEDCARE single washbasin, barrier-free



MEDCARE single washbasin made of MIRANIT resin-bonded mineral material with pore-free smooth surface (temperature-resistant up to 80 °C), Alpine white colour. Roll-under, with seamless moulded bowl, without overflow, with tap hole 35 mm (D). Mounting on washbasin back panel. Rear surge edge, including mounting material.

Dimensions 650 x 150 x 550 mm (W x H x D)  
Bowl dimensions 450 x 117 x 415 mm (W x H x D)

**ANMW0044** 2030072430

without tap hole

**ANMW0045** 2030072431

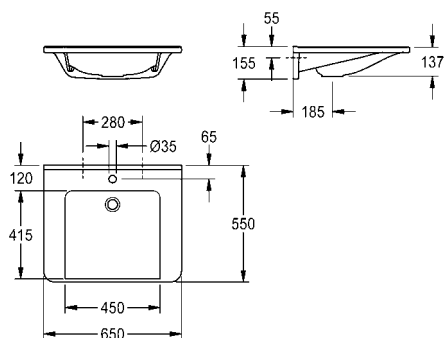
Optional accessories

Strainer waste G 1 1/4 B

**ZANMW901** 2000100854

Dome waste valve, chrome-plated

**ZANMW0030** 2030057337



## MEDCARE single washbasin, barrier-free



MEDCARE single washbasin made of MIRANIT resin-bonded mineral material with pore-free smooth surface (temperature-resistant up to 80 °C), Alpine white colour. Roll-under, with storage areas, seamless moulded bowl, overflow and tap hole 35 mm (D). Mounting on washbasin back panel. Rear surge edge, including mounting material.

Dimensions 850 x 150 x 550 mm (W x H x D)  
Bowl dimensions 500 x 117 x 415 mm (W x H x D)

**ANMW0054** 2030072438

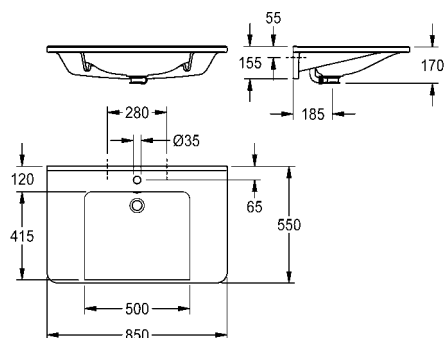
without tap hole

**ANMW0055** 2030072439

Optional accessories

Dome waste valve, chrome-plated

**ZANMW0030** 2030057337



**NEW****MEDCARE single washbasin, barrier-free**

MEDCARE single washbasin made of MIRANIT resin-bonded mineral material with pore-free smooth surface (temperature-resistant up to 80 °C), Alpine white colour. Roll-under, with storage areas, seamless moulded bowl, without overflow, with tap hole 35 mm (D). Mounting on washbasin back panel. Rear surge edge, including mounting material.



Dimensions 850 x 150 x 550 mm (W x H x D)  
Bowl dimensions 500 x 117 x 415 mm (W x H x D)

**ANMW0056** 2030072440

without tap hole

**ANMW0057** 2030072441

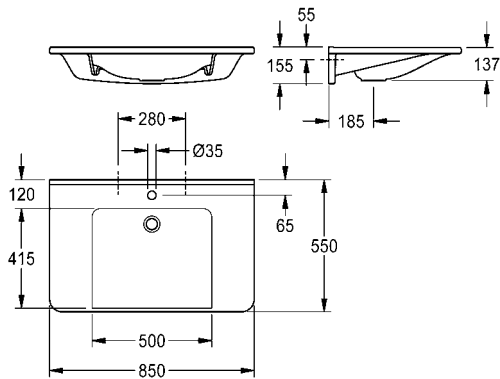
Optional accessories

Strainer waste G 1 1/4 B

**ZANMW901** 2000100854

Dome waste valve, chrome-plated

**ZANMW0030** 2030057337



# MEDCARE multiple washbasins, EXOS. single washbasins

Type

Article Number



**NEW**

## MEDCARE multiple washbasin, barrier-free

MEDCARE multiple washbasin made of MIRANIT resin-bonded mineral material with pore-free smooth surface (temperature-resistant up to 80 °C), Alpine white colour. Roll-under, with integrated grab rails, edged with colour strips in basalt grey. With storage areas, up to four seamlessly moulded bowls, optionally with/without overflow, with/without tap hole. Variable bowl spacing, mounting on washbasin back panel. Rear surge edge, including mounting material.

Dimensions 900–3000 x 150 x 550 mm (W x H x D)

Bowl dimensions 500 x 117 x 415 mm (W x H x D)

Detailed specifications, such as the type of installation and bowl spacing, etc., shall be provided via production sheets based on the individual order (to be requested from KWC Professional).



**NEW**

## MEDCARE multiple washbasin, barrier-free

MEDCARE multiple washbasin made of MIRANIT resin-bonded mineral material with pore-free smooth surface (temperature-resistant up to 80 °C), Alpine white colour. Roll-under, with integrated grab rails, storage areas, up to four seamlessly moulded bowls, optionally with/without overflow, with/without tap hole. Variable bowl spacing, mounting on washbasin back panel. Rear surge edge, including mounting material.

Dimensions 900–3000 x 150 x 550 mm (W x H x D)

Bowl dimensions 500 x 117 x 415 mm (W x H x D)

Detailed specifications, such as the type of installation and bowl spacing, etc., shall be provided via production sheets based on the individual order (to be requested from KWC Professional).



**NEW**

## MEDCARE multiple washbasin, barrier-free

MEDCARE multiple washbasin made of MIRANIT resin-bonded mineral material with pore-free smooth surface (temperature-resistant up to 80 °C), Alpine white colour. Roll-under, with storage areas, up to four seamlessly moulded bowls, optionally with/without overflow, with/without tap hole. Variable bowl spacing, mounting on washbasin back panel. Rear surge edge, including mounting material.

Dimensions 900–3000 x 150 x 550 mm (W x H x D)

Bowl dimensions 500 x 117 x 415 mm (W x H x D)

Detailed specifications, such as the type of installation and bowl spacing, etc., shall be provided via production sheets based on the individual order (to be requested from KWC Professional).



**EXOS. single washbasin, barrier-free**

EXOS. single washbasin made of MIRANIT resin-bonded mineral material with pore-free, smooth surface (temperature-resistant up to 80 °C), Alpine white colour. Roll-under, with integrated grab rails, storage areas, seamless moulded bowl, without overflow, with tap hole 35 mm (D). Mounting on washbasin back panel, including mounting material.

Dimensions 600 x 125 x 500 mm (W x H x D)  
Bowl dimensions 380 x 98 x 390 mm (W x H x D)

**ANMW0001N** 2030073252

**Available from April 2023**

Optional accessories

Dome waste valve, chrome-plated

**ZANMW0030** 2030057337

Dome waste valve, white (RAL 9003) powder-coated

**ZANMW0031** 2030057339

Dome waste valve, stainless steel

**ZANMW0050** 3600001266

**EXOS. hand washbasin, barrier-free**

EXOS. hand washbasin made of MIRANIT resin-bonded mineral material with pore-free smooth surface (temperature-resistant up to 80 °C), Alpine white colour. Roll-under, with integrated grab rails, storage areas, seamless moulded bowl, without overflow, with 35 mm tap hole (D). Mounting on washbasin back panel, including mounting material.

Dimensions 500 x 125 x 400 mm (W x H x D)  
Bowl dimensions 280 x 98 x 290 mm (W x H x D)

**ANMW0003N** 2030073250

**Available from April 2023**

Optional accessories

Dome waste valve, chrome-plated

**ZANMW0030** 2030057337

Dome waste valve, white (RAL 9003) powder-coated

**ZANMW0031** 2030057339

Dome waste valve, stainless steel

**ZANMW0050** 3600001266

**EXOS. multiple washbasin, barrier-free**

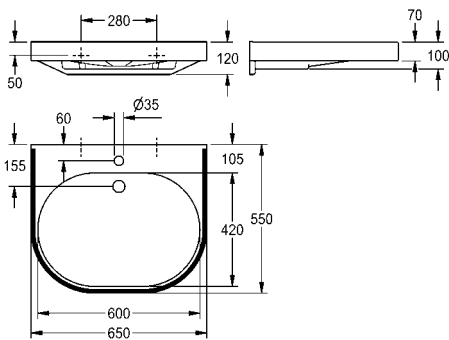
EXOS. multiple washbasin made of MIRANIT resin-bonded mineral material, with pore-free, smooth surface (temperature-resistant up to 80 °C), Alpine white colour. Roll-under, with integrated grab rails, storage areas, up to four seamlessly moulded bowls, without overflow, with 35 mm tap hole (D). Variable bowl spacing, mounting on washbasin back panel, optionally available with apron and/or upstand or surge edge, including mounting material.

Dimensions 780–3600 x 125 x 500 mm (W x H x D)  
Bowl dimensions 380 x 98 x 390 mm (W x H x D)

Detailed specifications, such as the type of installation and bowl spacing, etc., shall be provided via production sheets based on the individual order (to be requested from KWC Professional).

**Available from April 2023**

# VARIUScare single washbasins, VARIUSmed multiple washbasins



Type	Article Number
------	----------------

## VARIUScare single washbasin, barrier-free

VARIUScare single wash basin made of MIRANIT resin-bonded mineral material. Colour Alpine white with colour strip (RAL 7022). Wheelchair accessible, with integrated gripping edge. Seamless moulded bowl, without overflow. With tap hole. Mounting on washbasin back panel. Rear contoured edge. Mounting material included.

Dimensions 650 x 120 x 550 mm (W x H x D)  
Bowl dimensions 600 x 80 x 420 mm (W x H x D)

**ANMW500** 2030020956

Dimensions 550 x 120 x 450 mm (W x H x D)  
Recess dimensions 500 x 80 x 325 mm (W x H x D)

**ANMW502** 2030020959

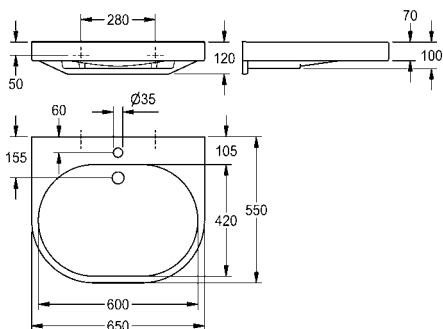
Dimensions 450 x 100 x 350 mm (W x H x D)  
Recess dimensions 400 x 60 x 230 mm (W x H x D)

**ANMW504** 2030020962

### Optional accessories

Strainer waste G 1 1/4 B  
**ZANMW901** 2000100854

Dome waste valve G 1 1/4 B  
**ZANMW900** 2000100861



## VARIUScare single washbasin, barrier-free

VARIUScare single washbasin made of MIRANIT resin-bonded mineral material. Colour Alpine white. Wheelchair accessible, with integrated gripping edge. Seamless moulded bowl, without overflow. With tap hole. Mounting on washbasin back panel. Rear contoured edge. Mounting material included.

Dimensions 650 x 120 x 550 mm (W x H x D)  
Bowl dimensions 600 x 80 x 420 mm (W x H x D)

**ANMW501** 2030020958

Dimensions 550 x 120 x 450 mm (W x H x D)  
Recess dimensions 500 x 80 x 325 mm (W x H x D)

**ANMW503** 2030020961

Dimensions 450 x 100 x 350 mm (W x H x D)  
Recess dimensions 400 x 60 x 230 mm (W x H x D)

**ANMW505** 2030020963

### Optional accessories

Strainer waste G 1 1/4 B  
**ZANMW901** 2000100854

Dome waste valve G 1 1/4 B  
**ZANMW900** 2000100861

**VARIUSmed multiple washbasin**

VARIUSmed multiple washbasin made of MIRANIT resin-bonded mineral material, with a non-porous smooth surface (temperature resistant up to 80°C) coated all around. Alpine white colour. With up to 3 seamlessly integrated bowls, without overflow. Variable bowl distance, centre distance of bowls at least 700 mm. Ergonomic bowl shape with large inside radii, with slight rearward slant to prevent dripping water. Mounting on washbasin back panel. Rear contoured edge. Including fastening materials.

Dimensions 700 - 3200 x 230 x 550 mm (W x H x D)

Bowl dimensions 645 x 205 x 440 mm (W x H x D)

Plate thickness 25 mm

Customized fit to building specifications

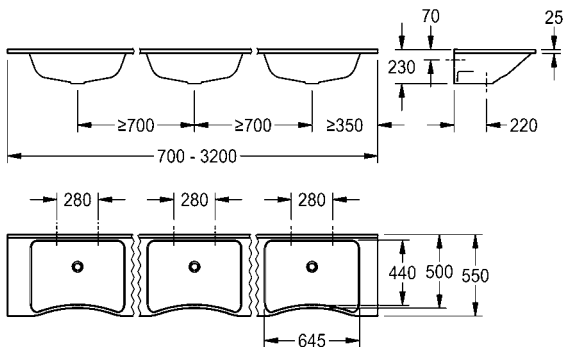
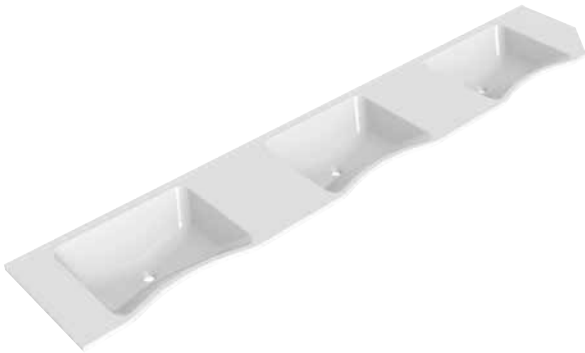
Detailed specifications such as installation type and basin spacing, etc. are detailed on planning sheets for each specific project (to be requested from KWC Professional).

Optional accessories

Strainer waste G 1 1/4 B

**ZANMW901**

2000100854



# Sanitary facilities for the healthcare sector

Type

Article Number



## Hygiene washbasin

Hygiene washbasin for wall mounting, housing made of 304 chromium-nickel steel, satin finished surface, floor with inspection opening, seamless moulded bowl, without overflow, strainer waste G 1 1/4 B. With touch-free, opto-electronically controlled F5E washbasin tap and wall outlet, high-polished chrome-plated brass. With covered thermostat DN 15, for connection to hot and cold water. Installed arm lever dispenser on left and right, for filling on-site. Water and electronic connection from below, includes mounting materials, with 230 V AC plug-in power supply unit.

Dimensions 550 x 650 x 425 mm (W x H x D)

**HWTE0001** 2030062338

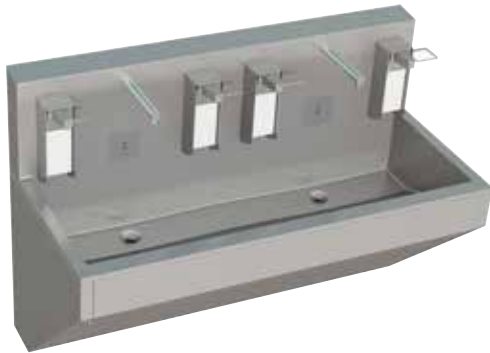
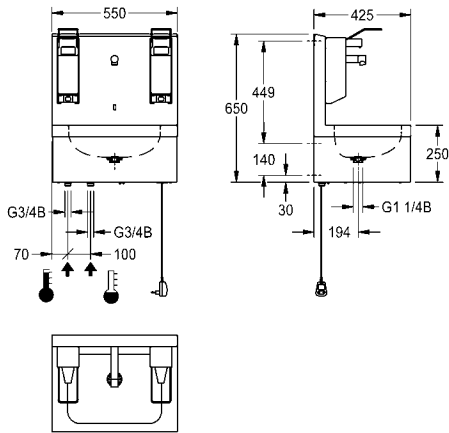
Optional accessories

Bidirectional remote control

**ACEX9005** 2030036654

2-button remote control

**ACEX9004** 2030036849

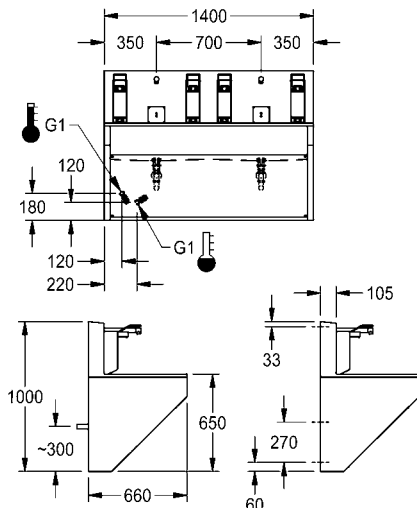


## Surgical washing station

Surgical washing station for needs-based equipment in the hospital area. For 1 - 4 washbasins with a width of 700 mm each. Housing made of chrome-nickel steel, polished, with seamless molded basins according to the hygienic requirements in the operating area, with casing closed at the front incl. revision opening and seamlessly raised back cover.

With taps, soap and disinfectant dispenser, optionally with arm lever or contactless, opto-electronically controlled, optionally with brush dispenser.

**Detailed specification and price on request.**





Type

Article Number

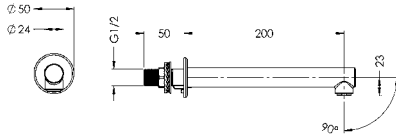


### Wall outlet

Wall outlet, DN 15 for concealed mounting made of 316 stainless steel. Projection 200 mm and a jet angle of 90°.  
Equipped with a laminar flow regulator (5 l/min) and removable for disinfection purposes.

**AT99-102**

2030039046

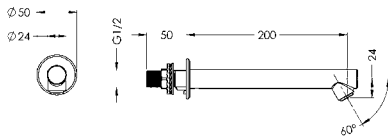


### Wall outlet

Wall outlet, DN 15 for concealed mounting made of 316 stainless steel. Projection 200 mm and a jet angle of 60°.  
Equipped with a laminar flow regulator (5 l/min) and removable for disinfection purposes.

**AT99-103**

2030039048



### CAMPUS baby bathtub

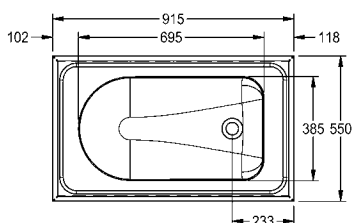
Baby bathtub for inset mounting, stainless steel, surface satin finished, material thickness 1.2 mm, 10 mm incline on whole length towards waste, waste diameter outside 78 mm inside 50 mm, no overflow, no waste kit included.

Dimensions 915 x 150 x 550 mm (W x H x D)

Bowl dimension 695 x 150 x 385 mm (W x H x D)

**CMPX403**

2000090029



# Sanitary facilities for the healthcare sector

Type

Article Number

## VARIUSmed multi-purpose sinks

VARIUSmed multi-purpose basin made of MIRANIT resin-bonded mineral material, with a non-porous smooth surface (temperature resistant up to 80°C) coated all around. Alpine white colour. With up to 2 seamlessly integrated bowls with large inner radii, without overflow. Variable bowl spacing. Splash-guard edge front and back. With tube overflow DN 40 x 200 mm. Including fastening material (screws, dowels, wall bracket, consoles).

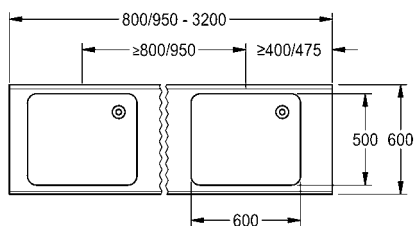
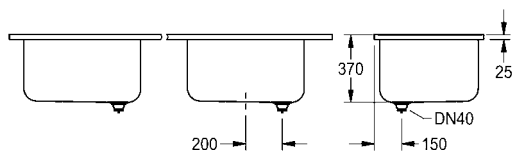
Bowl dimensions 600 x 350 x 500 mm (W x H x D)

When using stainless steel consoles:  
 Dimensions 800 - 3200 x 375 x 600 mm (W x H x D)  
 Center-center spacing of the bowls min. 800 mm

When using MIRANIT consoles:  
 Dimensions 950 - 3200 x 375 x 600 mm (W x H x D)  
 Center-center spacing of the bowls min. 950 mm

Customized fit to building specifications

Detailed specifications such as installation type and basin spacing, etc. are detailed on planning sheets for each specific project (to be requested from KWC Professional).



Type

Article Number



### SIRIUS plaster sink

Plaster sink for work top mounting, stainless steel, surface satin finished, material thickness 1.5 mm, seamless welded bowl with diameter 450 x 500 x 150 mm, bowl and drain board with revolving channel, 1 1/2" centric waste hole punch, removable plaster basket with cover.

Dimensions 1000 x 420 x 600 mm (W x H x D)  
Drainboard left

**SIRX835** 2000071901

Drainboard right

**SIRX836** 2000071902

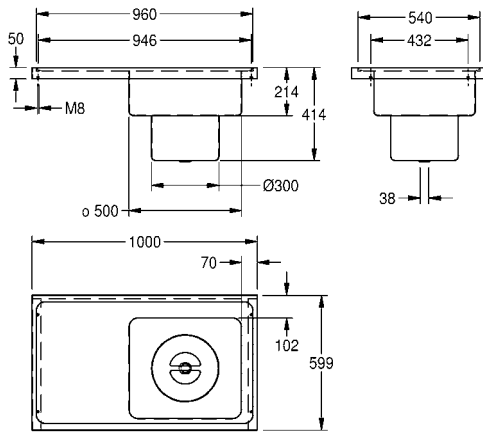
Optional accessories

Feet for plaster trap, stainless steel 2 pieces

**SIRX838** 2000103301

Brackets for plaster sink

**SIRX837** 2000103337



### SIRIUS disposal sink

Disposal sink made of nickel-chromium steel 316Ti, surface satin finished, for wall mounting, concealed circular flushing rim, with rinsing tube connector for flush valve provided by customer, flush water volume 6 l. Vertical outlet DN 100, with removable strainer, hinged grating made of nickel-chromium steel for buckets, wall brackets and fixing material.

Dimensions 470 x 360 x 580 mm (B x H x D)

**SIRX370** 2000101175

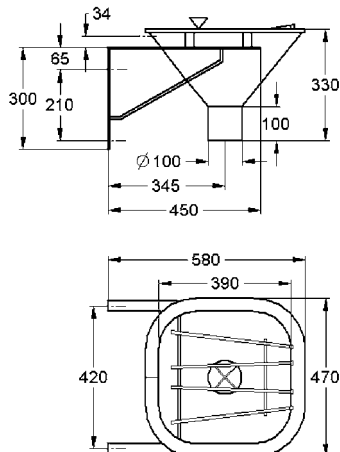
Optional accessories

Trap, vertical outlet DN 100

**ZCMPX002** 2000102733

Trap, horizontal outlet DN 100

**ZCMPX003** 2000102734



# Sanitary facilities for the healthcare sector

Type	Article Number
------	----------------

## SIRIUS stand drain

Floor standing cleaners sink, stainless steel, surface satin finished, material thickness 1 mm, seamless welded bowl with diameter 450 x 450 x 250 mm, bowl with revolving channel, without tap ledge and 50 mm rearupstand, 1 1/2" plug waste with stainless steel overflow tube, drainage back left, inclusive stainless steel folding grid with rubber bumps, underframe with 300 mm aprons, cross stud on backside for better stability, 650 mm working height, feet 40 x 40 mm and height adjustable to 25 mm.

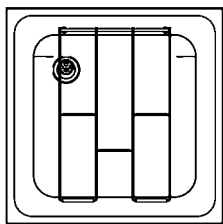
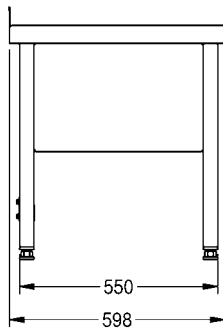
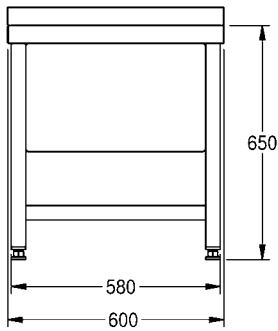
Floor standing janitorial unit for screwing.  
Dimensions 600 x 650 x 598 mm (W x H x D)

**F832V** 2000100061

Dimensions 600 x 650 x 598 mm (W x H x D)

Stand drain with frame welded together

**F832V-F** 2000057046





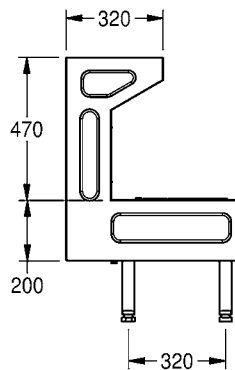
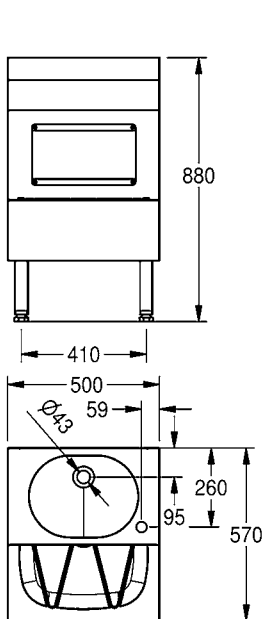
### SIRIUS stand drain - washbasin combination

Cleaner sink wash basin combination, free standing or for wall mounting, stainless steel, surface satin finished, material thickness 1.2 mm, seamless welded bowl with diameter 360 x 272 x 135 mm, without overflow, 1 1/4" flat perforated waste, inclusive tap hole top right, sink with diameter 420 x 350 x 180 mm and revolving channel, 1 1/2" domed waste, drainage centric, inclusive stainless steel folding grid with rubber bumps, removable inspection cover, feet height adjustable.

Dimensions 500 x 880 x 570 mm (W x H x D)

**SIRX832**

2000071907





# Installation elements for washbasins

AQUAFIX: TÜV-tested installation elements for washbasins, barrierfree sanitary facilities or stainless steel washbasins offer optimum installation support.

# AQUAFIX Installation elements for washbasins

Type

Article Number



## AQUAFIX installation frame for stainless steel wash basins

AQUAFIX installation frame for stainless steel wash basins with pillar type fittings, self-supporting, powder coated steel-frame construction, TÜV-tested, for individual mounting for dry-wall lining, with water-resistant, multiply bonded laminated wood panel, height-adjustable fastening for objects as well as fitting connections and outlet mount, sound-insulated wall ducts G 1/2, universal outlet bend DN 50, building protection and fastening material.

Dimensions 700 x 1120 mm (W x H)

**CMPX150**

2030020067

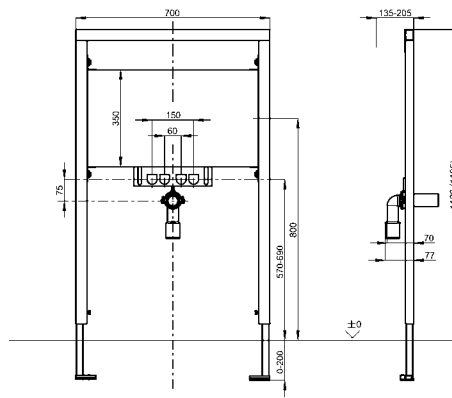
Optional accessories

AQUAFIX wall bracket set for pre-wall installation packaging unit:

2 items

**ZCMPX140**

2000100867



## AQUAFIX installation frame for wash basins

AQUAFIX installation frame for wash basins with pillar type fittings, self-supporting, powder coated steel-frame construction, TÜV tested, for individual mounting for dry-wall lining, height-adjustable fastening as well as fitting connections and outlet mount, sound-insulated wall ducts G 1/2, universal outlet bend DN 50, retaining bolts for washbasin, building protection and fastening material.

Dimensions 525 x 1120 mm (W x H)

**CMPX152**

2030019897

Optional accessories

AQUAFIX wall bracket set for pre-wall installation packaging unit:

2 items

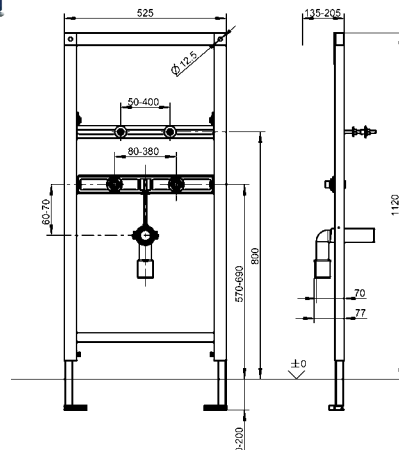
**ZCMPX140**

2000100867

AQUAFIX fastening module for installing wall-mounted taps

**ZCMPX152/1**

2000100941







### AQUAFIX installation frame for wash basins, suitable for disabled access

AQUAFIX installation frame for wash basins, suitable for disabled access, with stand fitting, self-supporting, powder coated steel-frame construction, TÜV tested, for individual mounting for dry-wall lining, height-adjustable fastening as well as fitting connections and outlet mount, sound-insulated wall ducts G 1/2, wall-concealed odour trap DN 50 / DN 40, retaining bolts for washbasin, building protection and fastening material.

Dimensions 525 x 1120 mm (W x H)

**CMPX151**

2030019961

Optional accessories

AQUAFIX wall bracket set for pre-wall installation packaging unit:  
2 items

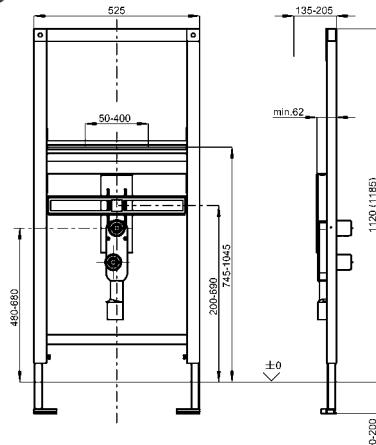
**ZCMPX140**

2000100867

AQUAFIX fastening module for installing wall-mounted taps

**ZCMPX152/1**

2000100941



### AQUAFIX wall bracket

AQUAFIX wall brackets for pre-wall installation, for fastening AQUAFIX installation elements on masonry or in front of the single plank wall, continuously adjustable in depth, for individual mounting, galvanized steel, fixing material included, packing unit 2 pieces.

**ZCMPX140**

2000100867



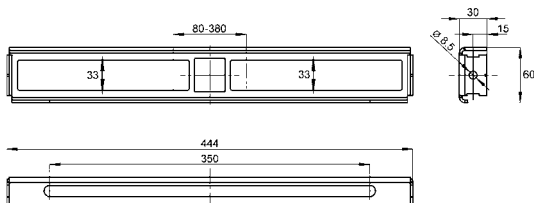
### AQUAFIX fixing module for installing on-wall wall fittings

AQUAFIX fastening module for installing on-wall wall fittings in conjunction with AQUAFIX installation element for washbasins, steel galvanized, without wall duct, inclusive mounting material.

Dimensions 444 x 72 x 30 mm (B x H x T)

**ZCMPX152/1**

2000100941







# Self-closing, electronic, single lever mixers

The state of the art tap technology supports the economical, hygienic and convenient equipment in professional shower facilities. In addition to the reliability and economic efficiency, the focus is on user convenience, safety while showering and hygiene. A comprehensive range of shower controls for both wall mounting and recessed mounting is available, in addition to the various shower panel designs, shower trays and shower heads.

## Shower taps

<b>KWC</b> F5 self-closing mixers	140
<b>KWC</b> F5 electronic valves and mixers	146
<b>KWC</b> F5 thermostatic single-lever mixer	152
<b>KWC</b> F3 self-closing valves and mixers	156
<b>KWC</b> F3 electronic mixers	160
<b>KWC</b> F5 shower panels made of stainless steel and MIRANIT	162
<b>KWC</b> AQUAPAY coin-operated controllers, shower trays	193
<b>KWC</b> Shower heads	194
<b>KWC</b> Shower heads and accessories for F5 shower panels	198
<b>KWC</b> Accessories	200

# F5 self-closing mixers

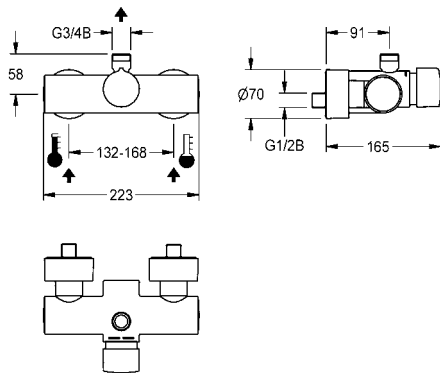
Type

Article Number



## F5S-Mix self-closing wall-mounted mixer

F5S-Mix self-closing wall-mounted mixer DN 15 as single-mixer for wall mounting, for shower facilities. FRAMIC self-closing mixing cartridge, hydraulically controlled, low-maintenance and stagnation-free, with ceramic disc technology, self-closing, flow pressure-independent due to medium-separated design. Stepless adjustment of flow duration. With adjustable, turn-proof temperature stop. Connects to hot and cold water. Housing with outlet on top, G 3/4 B, for installation of bent outlet or surface-mounted shower pipe. All-metal construction, high-polished chromium-plated brass. With adjustable and turn-proof connections with backflow preventer and strainers, completely covered with depth-adjustable screw rosettes.



**F5SM2001** 2030032998

with automatic shower pipe draining

**F5SM2002** 2030036685

Optional accessories

Bent outlet 120 x 150 mm, maximum mounting dimension 130 x 134 mm

**ACXX2005** 2030050434

Bent outlet 120 x 500 mm, maximum mounting dimension 130 x 484 mm

**ACXX2006** 2030050435

Shower pipe, length 1200 mm, crank 75 mm

**ACSX2002** 2030041522

Diverter for hand shower

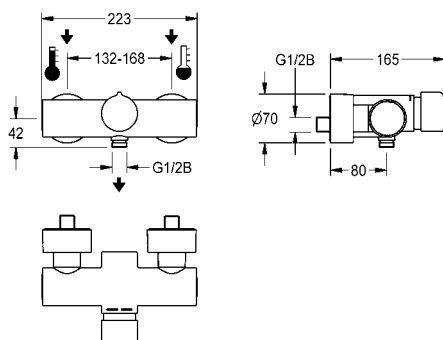
**ACXX2004** 2030041561

Shower heads, see page 194 onwards



## F5S-Mix self-closing wall-mounted mixer with hand shower connection

F5S-Mix self-closing wall-mounted mixer DN 15 as single-mixer for wall mounting, for shower facilities. FRAMIC self-closing mixing cartridge, hydraulically controlled, low-maintenance and stagnation-free, with ceramic disc technology, self-closing, flow pressure-independent due to medium-separated design. Stepless adjustment of flow duration. With adjustable, turn-proof temperature stop. Connects to hot and cold water. Housing with hand shower connection G 1/2 B. All-metal version, high-polished chromium-plated brass. With adjustable and turn-proof connections with backflow preventer and strainers, completely covered with depth-adjustable screw rosettes.



**F5SM2003** 2030036686

Optional accessories

Hand shower

**ACXX2007** 2030051216

Shower bracket with shower holder

**ACXX2008** 2030051217



### F5S-Mix self-closing in-wall mixer

F5S-Mix self-closing single-mixer DN 15 as finished installation kit, for shower facilities. FRAMIC self-closing mixing cartridge, hydraulically controlled, low-maintenance and stagnation-free, with ceramic disc technology, self-closing, flow pressure-independent due to medium-separated design. Stepless adjustment of flow duration. With adjustable, turn-proof temperature stop. Connects to hot and cold water. All-metal construction, visible parts high-polished, chromium-plated. Holding frame including profile seal, stainless steel cover plate 190 x 245 mm with covered screw fixing, chromium-plated plastic rosettes, backflow preventer and strainers. Depth adjustability 25 mm.

**F5SM2004** 2030029012

with automatic shower pipe draining

**F5SM2005** 2030036693

Necessary accessories

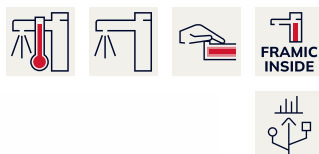
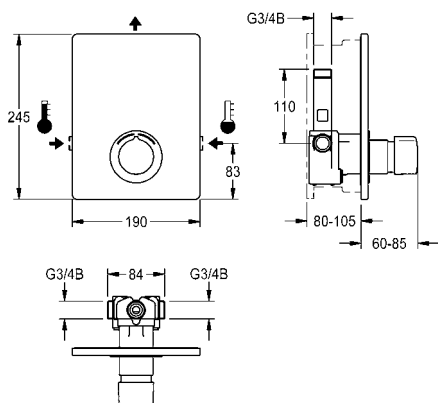
R5 System box for in-wall mixer

**F5BX2001** 2030028990

Optional accessories

Extension set for 25 mm depth compensation

**ACSM2001** 2030044781



### F5S-Therm self-closing thermostatic mixer

F5S-Therm self-closing thermostatic wall-mounted mixer DN 15 for wall mounting, for shower facilities. Hydraulically controlled, connects to hot and cold water. With a **pre-assembled hygiene unit** including sensor with control electronics and 6 V lithium battery (CR-P2) for performing an automatic water hygiene flushing and storage of statistical data. FRAMIC self-closing cartridge, hydraulically controlled, low-maintenance and stagnation-free, with ceramic disc technology, self-closing, flow pressure-independent due to medium-separated design. Stepless adjustment of flow duration. Thermostat with metal handle with adjustable and turn-proof temperature stop, with the option for a manual thermal disinfection. Scald-protected Safe-Touch housing with outlet on top, G 3/4 B, for installation of bent outlet or wall-mounted shower pipe. All-metal construction, high-polished chromium-plated brass. With adjustable and turn-proof connections with backflow preventer and strainers, completely covered with depth-adjustable screw rosettes. Activated water hygiene flushing, fixed interval of 24 hours. With option for parameterization and communication via optional, bidirectional remote control.

**F5ST2009** 2030040291

Optional accessories

Bent outlet 120 x 150 mm, maximum mounting dimension 130 x 134 mm

**ACXX2005** 2030050434

Bent outlet 120 x 500 mm, maximum mounting dimension 130 x 484 mm

**ACXX2006** 2030050435

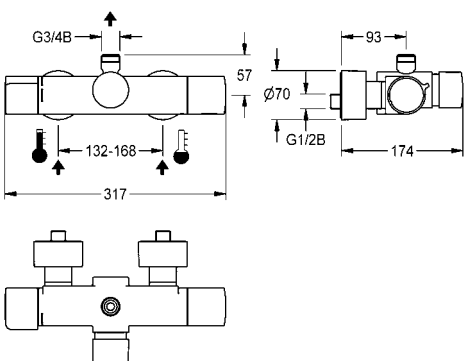
Shower pipe, length 1200 mm, crank 75 mm

**ACSX2002** 2030041522

Diverter for hand shower

**ACXX2004** 2030041561

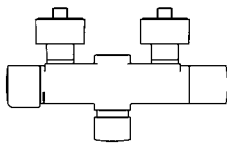
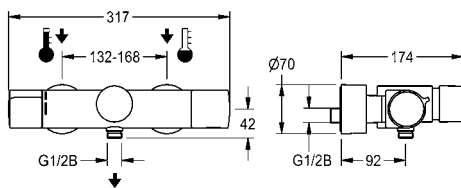
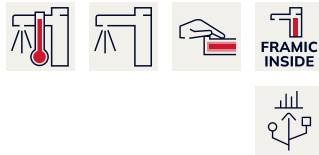
Shower heads, bidirectional remote control, two-button remote control, see page 194 onwards



# F5 self-closing mixers

Type

Article Number



## F5S-Therm self-closing thermostatic mixer with hand shower connection

F5S-Therm self-closing thermostatic wall-mounted mixer DN 15 for wall mounting, for shower facilities. Hydraulically controlled, connects to hot and cold water. With a **pre-assembled hygiene unit** including sensor with control electronics and 6 V lithium battery (CR-P2) for performing an automatic water hygiene flushing and storage of statistical data. FRAMIC self-closing cartridge, hydraulically controlled, low-maintenance and stagnation-free, with ceramic disc technology, self-closing, flow pressure-independent due to medium-separated design. Stepless adjustment of flow duration. Thermostat with metal handle with adjustable and turn-proof temperature stop, with the option for a manual thermal disinfection. Scald-protected, Safe-Touch housing with hand shower connection, G 1/2 B. All-metal construction, high-polished chromium-plated brass. With adjustable and turn-proof connections with backflow preventer and strainers, completely covered with depth-adjustable screw rosettes. Activated water hygiene flushing, fixed interval of 24 hours. With option for parameterization and communication via optional, bidirectional remote control.

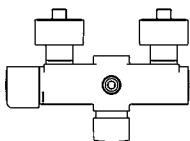
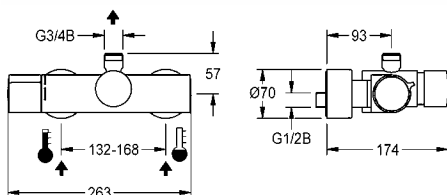
**F5ST2011** 2030050552

Optional accessories

Hand shower  
**ACXX2007** 2030051216

Shower bracket with shower holder  
**ACXX2008** 2030051217

Bidirectional remote control, two-button remote control, see page 203



## F5S-Therm self-closing thermostatic wall-mounted mixer

F5S-Therm self-closing thermostatic wall-mounted mixer DN 15 for wall mounting, for shower facilities. Hydraulically controlled, connects to hot and cold water. With a mechanism for an optional water hygiene unit for automatic water hygiene flushing and storage of statistical data. FRAMIC self-closing cartridge, hydraulically controlled, low-maintenance and stagnation-free, with ceramic disc technology, self-closing, flow pressure-independent due to medium-separated design. Stepless adjustment of flow duration. Thermostat with metal handle with adjustable and turn-proof temperature stop, with the option for a manual thermal disinfection. Scald-protected Safe-Touch housing with outlet on top, G 3/4 B, for installation of bent outlet or wall-mounted shower pipe. All-metal construction, high-polished chromium-plated brass. With adjustable and turn-proof connections with backflow preventer and strainers, completely covered with depth-adjustable screw rosettes.

**F5ST2001** 2030032978

with automatic shower pipe draining  
**F5ST2002** 2030036208

Optional accessories

Bent outlet 120 x 150 mm, maximum mounting dimension 130 x 134 mm

**ACXX2005** 2030050434

Bent outlet 120 x 500 mm, maximum mounting dimension 130 x 484 mm

**ACXX2006** 2030050435

Shower pipe, length 1200 mm, crank 75 mm

**ACSX2002** 2030041522

Diverter for hand shower  
**ACXX2004** 2030041561

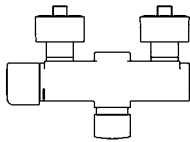
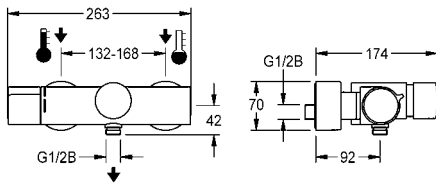
Hygiene unit  
**ACST9001** 2030041162

Shower heads, see page 194 onwards



### F5S-Therm self-closing thermostatic mixer with hand shower connection

F5S-Therm self-closing thermostatic wall-mounted mixer DN 15 for wall mounting, for shower facilities. Hydraulically controlled, connects to hot and cold water. With a mechanism for an optional water hygiene unit for automatic water hygiene flushing and storage of statistical data. FRAMIC self-closing cartridge, hydraulically controlled, low-maintenance and stagnation-free, with ceramic disc technology, self-closing, flow pressure-independent due to medium-separated design. Stepless adjustment of flow duration. Thermostat with metal handle with adjustable and turn-proof temperature stop, with the option for a manual thermal disinfection. Scald-protected, Safe-Touch housing with hand shower connection, G 1/2 B. All-metal construction, high-polished chromium-plated brass. With adjustable and turn-proof connections with backflow preventer and strainers, completely covered with depth-adjustable screw rosettes.



**F5ST2003** 2030036209

#### Optional accessories

Hygiene unit

**ACST9001** 2030041162

Hand shower

**ACXX2007** 2030051216

Shower bracket with shower holder

**ACXX2008** 2030051217



### Hygiene unit for F5S-Therm

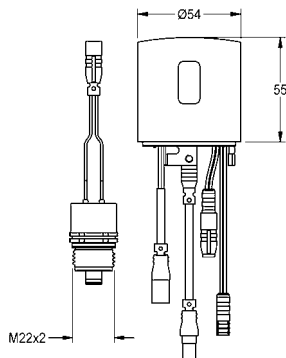
Hygiene unit for F5S-Therm self-closing thermostatic wall mixers for sanitary and shower facilities, for performing of an automatic hygiene flushing and storage of statistical data. Housing adapter including sensor with control electronics and 6 V lithium battery (CR-P2) as well as solenoid valve cartridge. Activated water hygiene flushing (30 s), fixed interval time 24 hours and saving of statistical data. With option for parameterization and communication via optional, bidirectional remote control.



**ACST9001** 2030041162

#### Optional accessories

Bidirectional remote control, two-button remote control, see page 203



# F5 self-closing mixers

Type

Article Number



## F5S-Therm self-closing thermostatic in-wall mixer

F5S-Therm self-closing thermostatic mixer DN 15 as finished installation kit for wall mounting in mounting kit, for shower facilities. Hydraulically controlled, connects to hot water and cold water. Function block with integrated FRAMIC self-closing cartridge, thermostat and **pre-assembled hygiene unit** including sensor with control electronics and 6 V lithium battery (CR-P2) to perform automatic water hygiene flushing, program-controlled thermal disinfection (additional bypass solenoid-operated flush valve cartridge necessary) and storage of statistical data. Additional mechanism for second bypass solenoid valve cartridge for separate rinsing of the cold-water line and separate sampling of cold or hot water. FRAMIC self-closing cartridge, low maintenance and stagnation free, with ceramic disc technology, self closing, flow pressure independent due to medium-independent design. Continuously adjustable flow duration. Thermostat with metal handle with adjustable and turn-proof temperature stop and option for manual thermal disinfection. All-metal construction, visible parts high-polished, chrome-plated. Holding frame including profile seal, stainless steel cover 190 x 245 mm with covered screw fixing, chrome-plated plastic rosettes, non-return valve and strainers. Depth adjustability 25 mm.



**F5ST2037**

2030067164

Necessary accessories

R5 System box for in-wall mixer

**F5BX2001**

2030028990

Optional accessories

Extension set for depth adjustment 25 mm

**ACXT9001**

2030067889

Bypass solenoid valve cartridge, 6 V DC

**EAQFU0001**

2030003033

Set for flushing the cold-water line

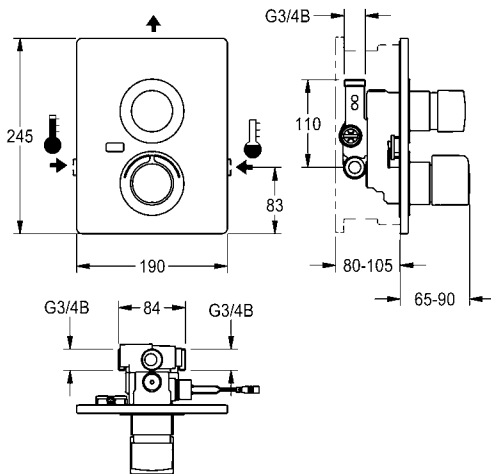
**ACXT2005**

2030071564

Bidirectional remote control, two-button remote control, see page 203

Note:

Thermal disinfection performed using key switch with separate power supply on request.

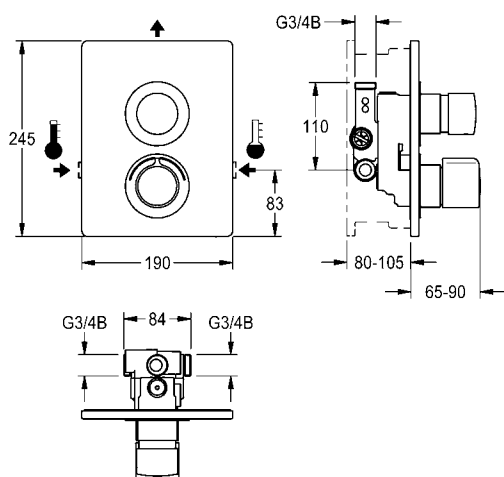






### F5S-Therm self-closing thermostatic in-wall mixer

F5S-Therm self-closing thermostatic mixer DN 15 as finished installation kit for wall mounting in mounting kit, for shower facilities. Hydraulically controlled, connects to hot water and cold water. Function block with integrated FRAMIC self-closing cartridge, thermostat and mechanism for an optional water hygiene unit for automatic water hygiene flushing, program-controlled thermal disinfection (additional bypass solenoid-operated flush valve cartridge necessary) and storage of statistical data. Additional mechanism for second bypass solenoid valve cartridge for separate rinsing of the cold-water line and separate sampling of cold or hot water. FRAMIC self-closing cartridge, low maintenance and stagnation free, with ceramic disc technology, self closing, flow pressure independent due to medium-independent design. Continuously adjustable flow duration. Thermostat with metal handle with adjustable and turn-proof temperature stop and option for manual thermal disinfection. All-metal construction, visible parts high-polished, chrome-plated. Holding frame including profile seal, stainless steel cover 190 x 245 mm with covered screw fixing, chrome-plated plastic rosettes, non-return valve and strainers. Depth adjustability 25 mm.



**F5ST2032** 2030067154

with automatic shower pipe emptying

**F5ST2036** 2030067163

Version **without option for automatic water hygiene flushing or thermal disinfection**

**F5ST2034** 2030067158

with automatic shower pipe emptying

**F5ST2039** 2030067167

Necessary accessories

R5 System box for in-wall mixer

**F5BX2001** 2030028990

Optional accessories

Extension set for depth adjustment 25 mm

**ACXT9001** 2030067889

Hygiene unit for F5S-Therm

**ACST2001** 2030041523

Bypass solenoid valve cartridge, 6 V DC

**EAQFU0001** 2030003033

Set for flushing the cold-water line

**ACXT2005** 2030071564

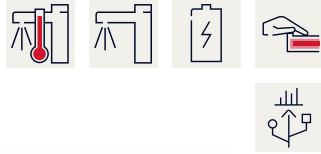
Note for F5ST2032 and F5ST2036:

Thermal disinfection performed using key switch with separate power supply on request.

# F5 electronic mixers

Type

Article Number



## F5E-Therm electronic thermostatic wall-mounted mixer with battery operation

F5E-Therm thermostatic mixer DN 15 for wall mounting, for shower facilities. Electronically controlled, for connection to hot water and cold water. Thermostat with metal handle and adjustable, turn-proof temperature stop. With option for thermal disinfection, manually or automatically via optional disinfection unit. Control electronics, solenoid valve cartridge, 6 V lithium battery (CR-P2) and touch sensor in scald-protected safe-touch housing with outlet on top. G 3/4 B, for installation of bent outlet or surface-mounted shower pipe. All-metal construction, high-polished chromium-plated brass. With adjustable and lockable connections with backflow preventer and strainers, completely covered with depth-adjustable screw rosettes. Activated water hygiene flushing 24 hours after last activation and saving of statistical data. With option for parameterization and communication via optional, bidirectional remote control.



**F5ET2001** 2030032990

Version **with pre-assembled thermal disinfection unit**

**F5ET2007** 2030039547

### Optional accessories

Bent outlet 120 x 150 mm, maximum mounting dimension 130 x 134 mm

**ACXX2005** 2030050434

Bent outlet 120 x 500 mm, maximum mounting dimension 130 x 484 mm

**ACXX2006** 2030050435

Shower pipe, length 1200 mm, crank 96 mm

**ACXX2003** 2030041525

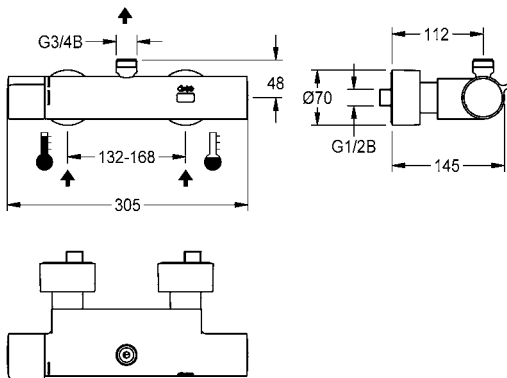
Diverter for hand shower

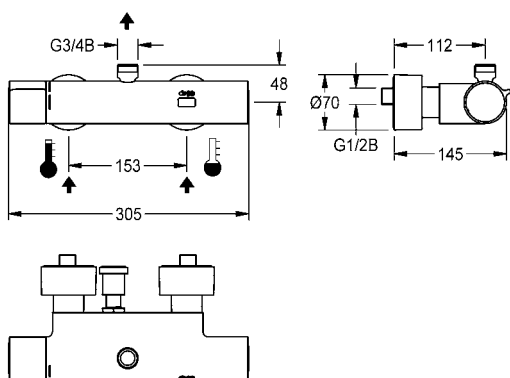
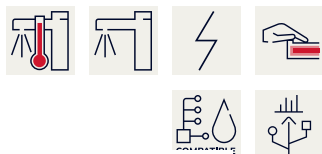
**ACXX2004** 2030041561

Thermal disinfection unit

**ACET9001** 2030039541

Shower heads, bidirectional remote control, two-button remote control, see page 194 onwards





### F5E-Therm electronic thermostat wall-mounted mixer for separate power supply

F5E-Therm thermostatic mixer DN 15 for wall mounting, for shower facilities. Electronically controlled, for connection to hot water and cold water. Thermostat with metal handle and adjustable, turn-proof temperature stop. With option for thermal disinfection, manually or automatically via optional disinfection unit. Control electronics, solenoid valve cartridge and touch sensor in scald-protected safe-touch housing with outlet on top, G 3/4 B, for installation of bent outlet or surface-mounted shower pipe. All-metal construction, high-polished chromium-plated brass. With adjustable and lockable connections with backflow preventer and strainers, completely covered with depth-adjustable screw rosettes. Activated water hygiene flushing 24 hours after last activation and saving of statistical data. With option for parameterization and communication via optional, bidirectional remote control. Separate power supply via power supply unit 6.75 V / 12 V DC or AQUA 3000 open system accessories.

**F5ET2005** 2030039542

Version **with pre-assembled thermal disinfection unit**

**F5ET2009** 2030039550

Necessary accessories

Mounting bar for F5 wall-mounted mixers

**F5BTX002** 2030071303

Power supply unit

**ACEX9001** 2030039477

Extension cable 5 m (per tap)

**ACEX9010** 2030043814

Optional accessories

Bent outlet 120 x 150 mm, maximum mounting dimension 130 x 134 mm

**ACXX2005** 2030050434

Bent outlet 120 x 500 mm, maximum mounting dimension 130 x 484 mm

**ACXX2006** 2030050435

Shower pipe, length 1200 mm, crank 96 mm

**ACXX2003** 2030041525

Diverter for hand shower

**ACXX2004** 2030041561

Thermal disinfection unit for F5ET2005

**ACET9001** 2030039541

Electronic module EM5 with ID 07040

(necessary sensor extension cable, see "AQUA 3000 open" section)

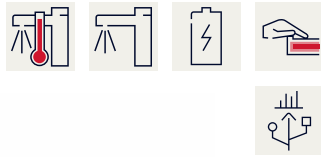
**ACET2001** 2030041918

Shower heads, bidirectional remote control, two-button remote control, see page 194 onwards

AQUA 3000 open system accessories, see "AQUA 3000 open" section

# F5 electronic mixers

Type Article Number



## F5E-Therm electronic thermostat wall-mounted mixer with hand-shower connection and battery operation

F5E-Therm thermostatic mixer DN 15 for wall mounting, for shower facilities. Electronically controlled, for connection to hot water and cold water. Thermostat with metal handle and adjustable, turn-proof temperature stop. With option for thermal disinfection, manually or automatically via optional disinfection unit. Control electronics, solenoid valve cartridge, 6 V lithium battery (CR-P2) and touch sensor in scald-protected safe-touch housing, with hand-shower connection, G 1/2 B. Full-metal version, high-polished chromium-plated brass. With adjustable and lockable connections with backflow preventer and strainers, completely covered with depth-adjustable screw rosettes. Activated water hygiene flushing 24 hours after last activation and saving of statistical data. With option for parameterization and communication via optional, bidirectional remote control.

**F5ET2003** 2030036691

Version **with pre-assembled thermal disinfection unit**

**F5ET2008** 2030039548

Optional accessories

Hand shower

**ACXX2007** 2030051216

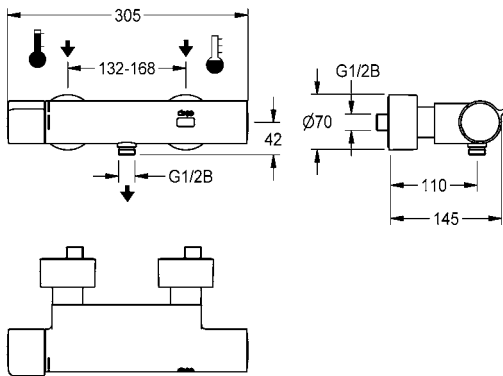
Shower bracket with shower holder

**ACXX2008** 2030051217

Thermal disinfection unit

**ACET9001** 2030039541

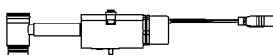
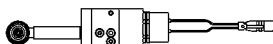
Bidirectional remote control, two-button remote control, see page 203

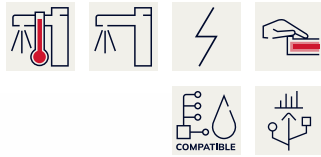


## Thermal disinfection unit for F5E-Therm

Thermal disinfection unit for F5E-Therm thermostatic wall mixers for sanitary and shower facilities, for performing of a program-controlled thermal disinfection. Function block including solenoid valve cartridge.

**ACET9001** 2030039541





### F5E-Therm electronic thermostatic wall-mounted mixer for separate power supply, with hand-shower connection

F5E-Therm thermostatic mixer DN 15 for wall mounting, for shower facilities. Electronically controlled, for connection to hot water and cold water. Thermostat with metal handle and adjustable, turn-proof temperature stop. With option for thermal disinfection, manually or automatically via optional disinfection unit. Control electronics, solenoid valve cartridge and touch sensor in scald-protected safe-touch housing, with hand-shower connection, G 1/2 B. Full-metal version, high-polished chromium-plated brass. With adjustable and lockable connections with backflow preventer and strainers, completely covered with depth-adjustable screw rosettes. Activated water hygiene flushing 24 hours after last activation and saving of statistical data. With option for parameterization and communication via optional, bidirectional remote control. Separate power supply via power supply unit 6.75 V / 12 V DC or AQUA 3000 open system accessories.



**F5ET2006** 2030039543

Version **with pre-assembled thermal disinfection unit**

**F5ET2010** 2030039551

Necessary accessories

Mounting bar for F5 wall-mounted mixers

**F5BTX002** 2030071303

Power supply unit

**ACEX9001** 2030039477

Extension cable 5 m

**ACEX9010** 2030043814

Optional accessories

Thermal disinfection unit

**ACET9001** 2030039541

Electronic module EM5 with ID 07040

(necessary sensor extension cable, see "AQUA 3000 open" section)

**ACET2001** 2030041918

Hand shower

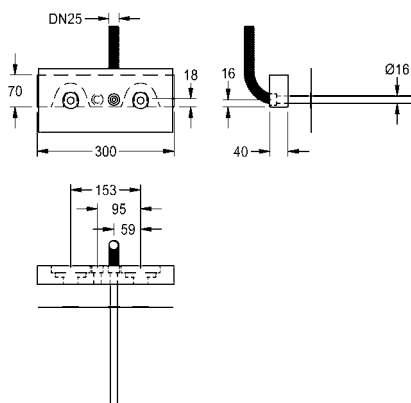
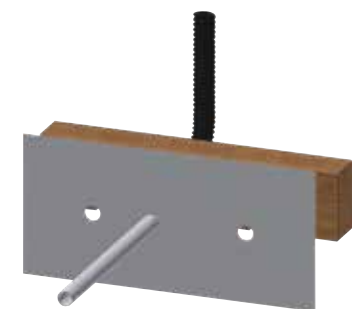
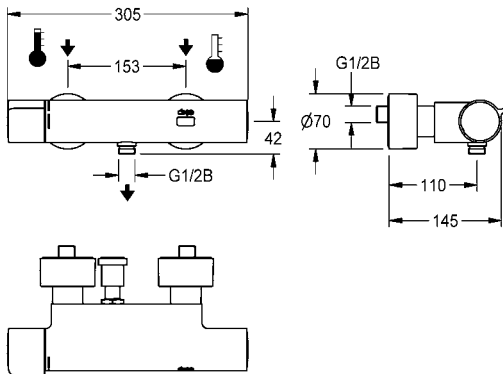
**ACXX2007** 2030051216

Shower bracket with shower holder

**ACXX2008** 2030051217

Bidirectional remote control, two-button remote control, see page 203

AQUA 3000 open system accessories, see "AQUA 3000 open" section



### Mounting bar for F5 wall-mounted mixers

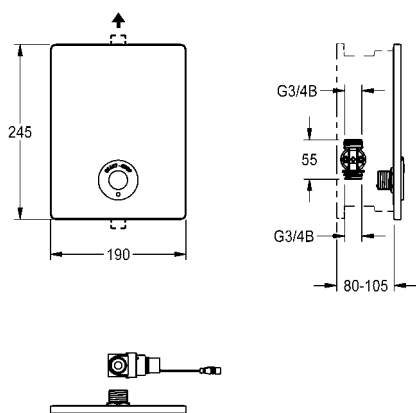
Mounting bar for F5 wall-mounted mixers with separate power supply. Plywood with water-resistant glue, suitable for use in wet areas. With cable bushing including front-side protective pipe and rear-side protective hose with sealing collar. Defined positioning for G 1/2 wall plates to be provided on site, including expansion sleeves.

**F5BTX002** 2030071303

# F5 electronic mixers

Type

Article Number



## F5E electronic in-wall tap

F5E gate valve DN 15 as finished installation kit for in-wall installation in basic installation kit, for shower facilities. Electronically controlled, for connection to pre-mixed hot water or cold water. With solenoid valve, holding frame with profile seal, stainless steel cover plate 190 x 245 mm with covered screw fixing including sensor with control electronics, start/stop function and cleaning deactivation. Depth adjustable by 25 mm. Activated hygiene flushing 24 hours after last activation and saving of statistical data. With option for parametrisation and communication via optional bidirectional remote control. Option for battery operation with 6 V lithium battery (CR-P2) per fitting or separate power supply via power supply unit 6.75 V/12 V DC or AQUA 3000 open system accessories.

Battery compartment including battery or power supply unit with extension cable must be ordered separately.

**F5EV2005** 2030067748

Necessary accessories

R5 System box for in-wall valves

**F5BV2002** 2030055925

Battery compartment including 6 V battery

**ZAQCT0003** 2000109466

Power supply unit

**ACEX9001** 2030039477

Extension cable 5 m (per tap)

**ACEX9010** 2030043814

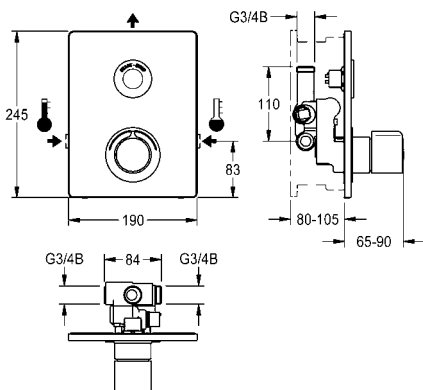
Optional accessories

Electronic module EM5 with ID 07120

**ACEV2004** 2030049353

Bidirectional remote control, two-button remote control, see page 203

AQUA 3000 open system accessories, see "AQUA 3000 open" section



## F5E-Therm - A3000 open electronic thermostatic in-wall mixer

F5E-Therm - A3000 open thermostatic mixer DN 15 as finished installation kit for in-wall installation in basic installation kit, for shower facilities. Electrically controlled, connects to hot water and cold water. Function block with integrated solenoid valve cartridge, thermostat and two bypass solenoid valve cartridges for separate rinsing of the cold-water line and implementation of program-controlled thermal disinfection as well as for separate sampling of cold or hot water. Thermostat with metal handle with adjustable and turn-proof temperature stop and option for manual thermal disinfection. All-metal construction, visible parts high-polished, chrome-plated. With holding frame with profile seal, 190 x 245 mm stainless steel cover plate with covered screw fixing including touch sensor with control electronics, start/stop function, rosette, watertight electronic module and electric T-junction for connection to system cables, backflow preventers and strainers. Depth adjustability 25 mm. Activated hygiene flushing 24 hours after the last activity. External control unit, like valve setting, cleaning deactivation, storage of statistical data and communication via ECC2 function controller, 24 V DC.

**F5ET2040** 2030071563

Necessary accessories

R5 System box for in-wall mixer

**F5BX2001** 2030028990

AQUA 3000 open system accessories, see "AQUA 3000 open" section

Optional accessories

Extension set for depth adjustment 25 mm

**ACXT9001** 2030067889

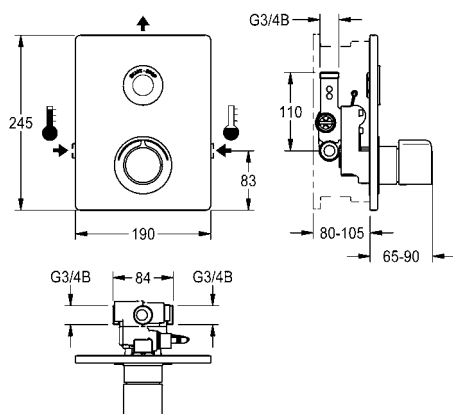


### F5E-Therm electronic thermostat mixer

F5E-Therm thermostatic mixer DN 15 as finished installation kit for wall mounting in mounting material, for shower facilities. Electrically controlled, connects to hot water and cold water. Function block with integrated solenoid valve cartridge, thermostat and mechanism for two optional bypass solenoid valve cartridges for separate rinsing of the cold-water line and implementation of program-controlled thermal disinfection as well as for separate sampling of cold or hot water. Thermostat with metal handle with adjustable and turn-proof temperature stop and option for manual thermal disinfection. All-metal construction, visible parts high-polished, chrome-plated. With holding frame and profile seal, stainless-steel cover plate 190 x 245 mm with covered screw fixing including sensor with control electronics, rosette, backflow preventers and strainers. Depth adjustability 25 mm. Activated hygiene flushing 24 hours after last activation and storage of statistical data. With option for parameterization and communication via optional, bidirectional remote control.

Optionally for battery operation with 6 V lithium battery (CR-P2) per fitting or separate power supply via power supply unit 6.75 V/12 V DC or AQUA 3000 open system accessories.

Battery compartment including battery or power supply unit with extension cable must be ordered separately.



**F5ET2031** 2030067151

Necessary accessories

R5 System box for in-wall mixer

**F5BX2001** 2030028990

Battery compartment including 6 V battery

**ZAQCT0003** 2000109466

Power supply unit

**ACEX9001** 2030039477

Extension cable 5 m (per tap)

**ACEX9010** 2030043814

Optional accessories

Extension set for depth adjustment 25 mm

**ACXT9001** 2030067889

Bypass solenoid valve cartridge, 6 V DC

**EAQFU0001** 2030003033

Electronic module EM5 with ID 07040

**ACET2001** 2030041918

Set for flushing the cold-water line

**ACXT2005** 2030071564

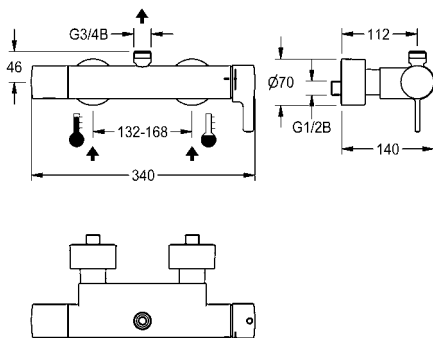
Bidirectional remote control, two-button remote control, see page 203

AQUA 3000 open system accessories, see "AQUA 3000 open" section

# F5 thermostatic single-lever mixer

Type

Article Number



## F5L-Therm thermostatic single-lever wall-mounted mixer

F5L-Therm thermostatic single-lever mixer as DN 15 wall-mounted mixer for wall mounting, for shower facilities. Thermostatically-controlled mixer cartridge with expansion element and active scald protection as well as adjustable and turn-proof temperature stop, and ceramic disc technology. With **pre-assembled hygiene unit** including 6 V lithium battery (CR P2) for automatic hygiene flushing and program-controlled thermal disinfection (additional bypass solenoid-operated flush valve cartridge necessary) and storage of statistical data. For connection to hot and cold water. Scald-protection Safe-Touch housing with outlet on top, G 3/4 B, for installation of waste elbow or wall-mounted shower pipe. All-metal construction, high-polished chrome-plated brass. With adjustable and lockable connections with backflow preventers and strainers, fully covered by depth-adjustable screw rosettes. Activated hygiene flushing, fixed interval of 24 hours. With option for parameterization and communication via optional, bidirectional remote control.

**F5LT2004** 2030066498

### Optional accessories

Bent outlet 120 x 150 mm, maximum mounting dimension 130 x 134 mm

**ACXX2005** 2030050434

Bent outlet 120 x 500 mm, maximum mounting dimension 130 x 484 mm

**ACXX2006** 2030050435

Shower pipe, length 1200 mm, crank 96 mm

**ACXX2003** 2030041525

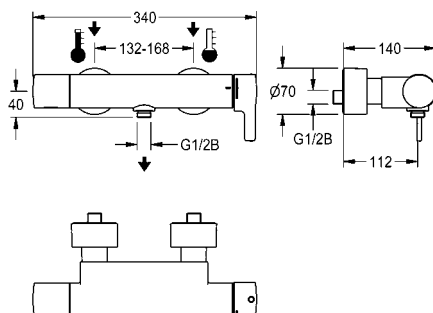
Diverter for hand shower

**ACXX2004** 2030041561

Solenoid valve cartridge DN 5, 6 V DC

**ACXX9002** 2030045522

Shower heads, bidirectional remote control, two-button remote control, see page 194 onwards



## F5L-Therm thermostatic single-lever wall-mounted mixer with hand shower connection

F5L-Therm thermostatic single-lever mixer as DN 15 wall-mounted mixer for wall mounting, for shower facilities. Thermostatically-controlled mixer cartridge with expansion element and active scald protection as well as adjustable and turn-proof temperature stop, and ceramic disc technology. With **pre-assembled hygiene unit** including 6 V lithium battery (CR P2) for automatic hygiene flushing and program-controlled thermal disinfection (additional bypass solenoid-operated flush valve cartridge necessary) and storage of statistical data. For connection to hot and cold water. Scald-protection, Safe-Touch housing with hand shower connection, G 1/2 B. All-metal construction, high-polished chrome-plated brass. With adjustable and lockable connections with backflow preventers and strainers, fully covered by depth-adjustable screw rosettes. Activated hygiene flushing, fixed interval of 24 hours. With option for parameterization and communication via optional, bidirectional remote control.

**F5LT2012** 2030066503

### Optional accessories

Hand shower

**ACXX2007** 2030051216

Shower bracket with shower holder

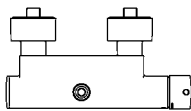
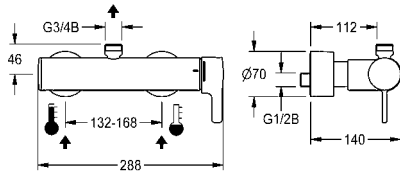
**ACXX2008** 2030051217

Solenoid valve cartridge DN 5, 6 V DC

**ACXX9002** 2030045522

Bidirectional remote control, two-button remote control, see page 203





### F5L-Therm thermostatic single-lever wall-mounted mixer

F5L-Therm thermostatic single-lever mixer as DN 15 wall-mounted mixer for wall mounting, for shower facilities. Thermostatically-controlled mixer cartridge with expansion element and active scald protection as well as adjustable and turn-proof temperature stop, and ceramic disc technology. With mechanism for optional hygiene unit for automatic hygiene flushing, program-controlled thermal disinfection (additional bypass solenoid-operated flush valve cartridge necessary) and storage of statistical data. For connection to hot and cold water. Scald-protection Safe-Touch housing with outlet on top, G 3/4 B, for installation of waste elbow or wall-mounted shower pipe. All-metal construction, high-polished chrome-plated brass. With adjustable and lockable connections with backflow preventers and strainers, fully covered by depth-adjustable screw rosettes.

**F5LT2001** 2030066495

Optional accessories

Bent outlet 120 x 150 mm, maximum mounting dimension 130 x 134 mm

**ACXX2005** 2030050434

Bent outlet 120 x 500 mm, maximum mounting dimension 130 x 484 mm

**ACXX2006** 2030050435

Shower pipe, length 1200 mm, crank 96 mm

**ACXX2003** 2030041525

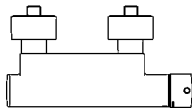
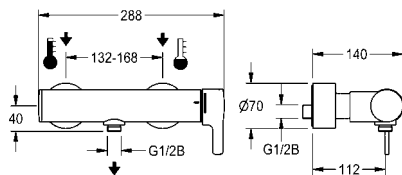
Diverter for hand shower

**ACXX2004** 2030041561

Hygiene unit

**ACLM9001** 2030039446

Shower heads, see page 194 onwards



### F5L-Therm thermostatic single-lever wall-mounted mixer with hand shower connection

F5L-Therm thermostatic single-lever mixer as DN 15 wall-mounted mixer for wall mounting, for shower facilities. Thermostatically-controlled mixer cartridge with expansion element and active scald protection as well as adjustable and turn-proof temperature stop, and ceramic disc technology. With mechanism for optional hygiene unit for automatic hygiene flushing, program-controlled thermal disinfection (additional bypass solenoid-operated flush valve cartridge necessary) and storage of statistical data. For connection to hot and cold water. Scald-protection, Safe-Touch housing with hand shower connection, G 1/2 B. All-metal construction, high-polished chrome-plated brass. With adjustable and lockable connections with backflow preventers and strainers, fully covered by depth-adjustable screw rosettes.

**F5LT2003** 2030066497

Optional accessories

Hygiene unit

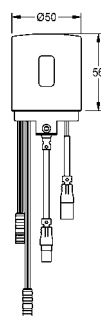
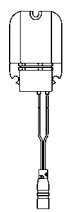
**ACLM9001** 2030039446

Hand shower

**ACXX2007** 2030051216

Shower bracket with shower holder

**ACXX2008** 2030051217



### Hygiene unit for F5L single-lever wall mixers

Hygiene unit for F5L single-lever mixers as wall mixers for sanitary and shower facilities, for performing of automatic hygiene flushing and program-controlled thermal disinfection (additional bypass solenoid cartridge necessary) and storage of statistical data. Housing adapter including sensor with control electronics and 6 V lithium battery (CR-P2) as well as function block with solenoid valve cartridge. Activated water hygiene flushing (30 seconds), fixed interval time 24 hours and saving of statistical data. With option for parameterization and communication via optional, bidirectional remote control.

**ACLM9001** 2030039446

Optional accessories

Solenoid valve cartridge DN 5, 6 V DC

**ACXX9002** 2030045522

Bidirectional remote control, two-button remote control, see page 203

Overview and meaning of the symbols see page 12-13

# F5 thermostatic single-lever mixers, R5 systems box

Type

Article Number



## F5L-Therm thermostatic single-lever in-wall mixer

F5L-Therm thermostatic single-lever mixer DN 15 as finished installation kit for in-wall installation in basic installation kit, for shower facilities. For connection to hot and cold water. Function block with integrated thermostatic cartridge and **pre-assembled hygiene unit** including sensor and 6 V lithium battery (CR P2) for automatic hygiene flushing and program-controlled thermal disinfection (additional bypass solenoid valve cartridge necessary) and storage of statistical data. Thermostatically-controlled mixer cartridge with expansion element and active scald protection as well as adjustable and turn-proof temperature stop, and ceramic disc technology. All-metal construction, visible parts high-polished, chrome-plated. Holding frame including profile seal, stainless-steel cover plate 190 x 245 mm with covered screw fixing, chrome-plated plastic rosette, backflow preventer and strainers. Depth adjustability 25 mm. Activated water hygiene flushing, fixed interval of 24 hours. With option for parameterization and communication via optional, bidirectional remote control.



**F5LT2007**

2030066501

Necessary accessories

R5 System box for in-wall mixer

**F5BX2001**

2030028990

Optional accessories

Extension set for depth compensation up to 25 mm

**ACLM2002**

2030044779

Bypass solenoid valve cartridge, 6 V DC

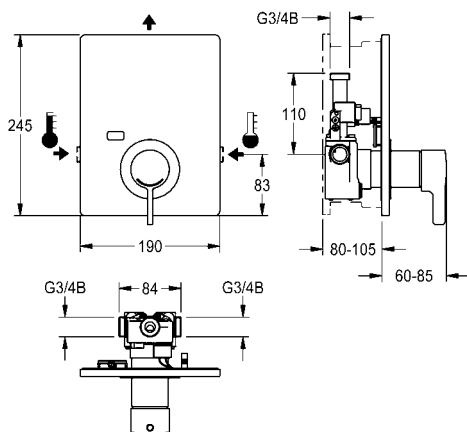
**EAQFU0001**

2030003033

Bidirectional remote control, two-button remote control, see page 203

Note:

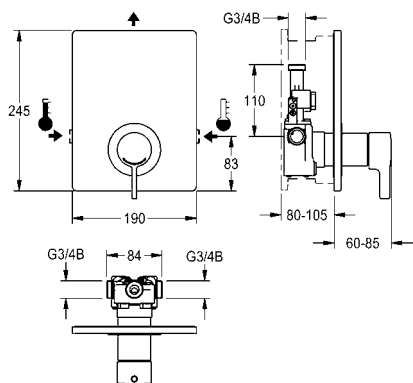
Thermal disinfection performed using key switch with separate power supply on request.





### F5L-Therm thermostatic single-lever in-wall mixer

F5L-Therm thermostatic single-lever mixer DN 15 as finished installation kit for in-wall installation in basic installation kit, for shower facilities. For connection to hot and cold water. Function block with integrated thermostatic cartridge and mechanism for an optional hygiene unit for automatic hygiene flushing, program-controlled thermal disinfection (additional bypass solenoid valve cartridge necessary) and storage of statistical data. Thermostatically-controlled mixer cartridge with expansion element and active scald protection as well as adjustable and turn-proof temperature stop, and ceramic disc technology. All-metal construction, visible parts high-polished, chrome-plated. Holding frame including profile seal, stainless-steel cover plate 190 x 245 mm with covered screw fixing, chrome-plated plastic rosette, backflow preventer and strainers. Depth adjustability 25 mm.



**F5LT2005** 2030066500

Necessary accessories

R5 System box for in-wall mixer

**F5BX2001** 2030028990

Optional accessories

Extension set for depth compensation up to 25 mm

**ACLM2002** 2030044779

Hygiene unit including 6 V lithium battery

**ACLM2001** 2030041526

Bypass solenoid valve cartridge, 6 V DC

(in combination with hygiene unit)

**EAQFU0001** 2030003033

Note:

Thermal disinfection performed using key switch with separate power supply on request.



### R5 system box for in-wall mixer

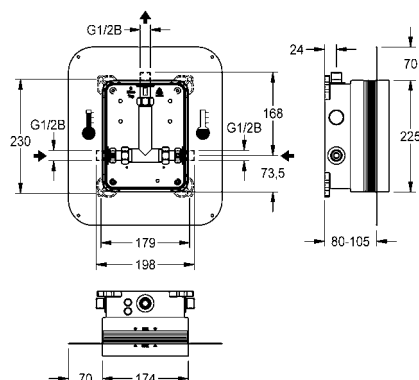
R5 basic installation kit with sliding adhesive flange for in-wall mounting of finished installation kits DN 15 with mixing unit, for shower facilities. For connection to hot and cold water. system box made of plastic, 174 x 225 mm, with lockable connection screws, shell protection, flush connector for flushing and leak test. Continuously-adjustable sliding adhesive flange with form-closed, flexible, 70 mm wide sealing collar. Sealing collar made of water-tight, permanently-elastic, alkali-resistant, and crack-bridging thermoplastic elastomer with polypropylene fleece for connecting to compound seals in dry and wet construction.

**F5BX2001** 2030028990

Optional accessories

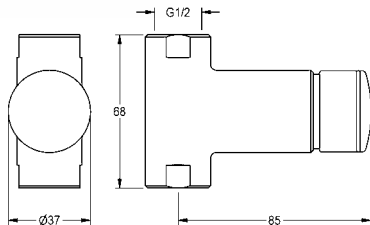
Mounting traverse, depth adjustable, for installing shower fittings with flush-mounting cabinets in drywall, packaging unit: 2 pieces

**ZCMPX006** 2000106019



# F3 self-closing valves

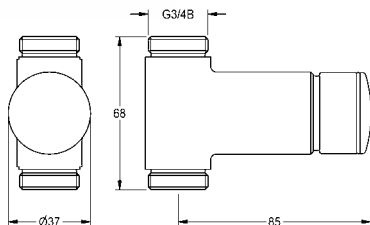
Type	Article Number
------	----------------



## F3S self-closing straight-way valve

F3S self-closing straight-way valve DN 15 for surface mounting for shower facilities. Self-closing functional part, hydraulically controlled, piston-free design, self-closing, stepless adjustment of flow duration. For connection to pre-mixed hot water or cold water. Casing including changeable valve seat, with internal thread G 1/2, high-polished chromium-plated brass.

<b>F3SV2004</b>	2030037525
-----------------	------------



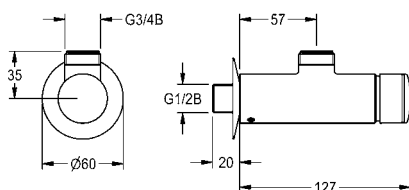
## F3S self-closing straight-way valve

F3S self-closing straight-way valve DN 15 for surface mounting for shower facilities. Self-closing functional part, hydraulically controlled, piston-free design, self-closing, stepless adjustment of flow duration. For connection to pre-mixed hot water or cold water. Housing including changeable valve seat, with external thread G 3/4 B, high-polished chromium-plated brass.

<b>F3SV2002</b>	2030034415
-----------------	------------

### Optional accessories

Screw connection	
<b>ACSV2001</b>	2000105938



## F3S self-closing bib tap

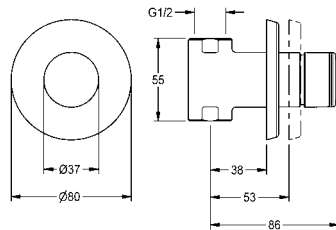
F3S self-closing bib tap DN 15 as wall fitting for wall mounting for shower facilities. Self-closing functional part, hydraulically controlled, piston-free design, self-closing, stepless adjustment of flow duration. For connection to pre-mixed hot water or cold water. Housing including changeable valve seat, with outlet on top, G 3/4 B, for installation of bent outlet or surface-mounted shower pipe, high-polished chromium-plated brass.

<b>F3SV2001</b>	2030034414
-----------------	------------

### Optional accessories

Bent outlet 120 x 150 mm, maximum mounting dimension 130 x 134 mm	
<b>ACXX2005</b>	2030050434
Bent outlet 120 x 500 mm, maximum mounting dimension 130 x 484 mm	
<b>ACXX2006</b>	2030050435
Shower pipe, length 1200 mm, crank 39 mm	
<b>ACSX2001</b>	2030039555
Diverter for hand shower	
<b>ACXX2004</b>	2030041561

Shower heads, see page 194 onwards



### F3S self-closing straight-way valve

F3S self-closing straight-way valve DN 15 for in-wall mounting with noise-reducing styrene cladding, for shower facilities. Self-closing functional part, hydraulically controlled, piston-free design, self-closing, stepless adjustment of flow duration. For connection to pre-mixed hot water or cold water. Casing including changeable valve seat, with internal thread G 1/2, visible parts high-polished, chromium-plated brass. With rosette, depth adjustability 15 mm.

**F3SV2003**

2030034416

#### Optional accessories

Extension set for depth compensation until 33 mm

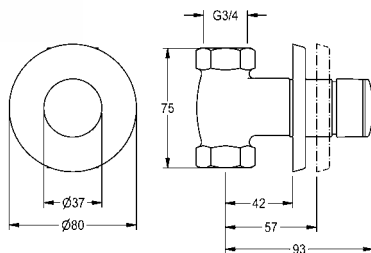
**AQRM900**

2000101451

Installation wrench required for installation of the extension set

**AQRM967**

2000101454



### F3S Self-closing straight-way valve DN 20

F3S Self-closing straight-way valve DN 20 for in-wall mounting, for shower facilities. Self-closing functional part, hydraulically controlled, piston-free design, automatic closing, adjustable flow duration. For connection to pre-mixed hot water or cold water. Housing including replaceable valve seat, with interior thread G 3/4, visible parts made of high-polished chrome-plated brass. With rosette, depth adjustability 15 mm.

**F3SV2009**

2030053188

#### Optional accessories

Extension set for depth compensation until 33 mm

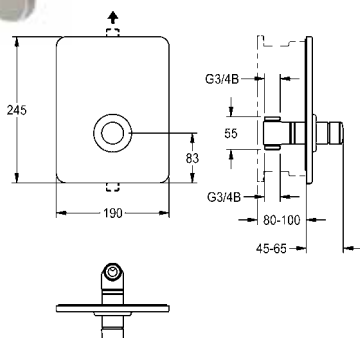
**ACSV2002**

2030060823

Installation wrench DN 20 required for installation of the extension set

**AQRM927**

2000105638



### F3S self-closing in-wall valve

F3S self-closing straight-way valve DN 15 as finished installation kit for installation in basic installation kit, for shower facilities. Self-closing functional part, hydraulically controlled, piston-free design, self-closing, stepless adjustment of flow duration. For connection to pre-mixed hot water or cold water. Housing including changeable valve seat, visible parts, high-polished chromium-plated brass. Holding frame including profile seal, stainless steel cover plate 190 x 245 mm with covered screw fixing and rosette. Depth adjustability 20 mm.

**F3SV2005**

2030040072

#### Necessary accessories

R3 System box for in-wall valves

**F3BV2001**

2030040069

**OR:** R5 system box with lockable screw connections and sliding adhesive flange, for in-wall valves

**F5BV2002**

2030055925

#### Optional accessories

Extension set for depth compensation until 33 mm

**AQRM900**

2000101451

Installation wrench required for installation of the extension set

**AQRM967**

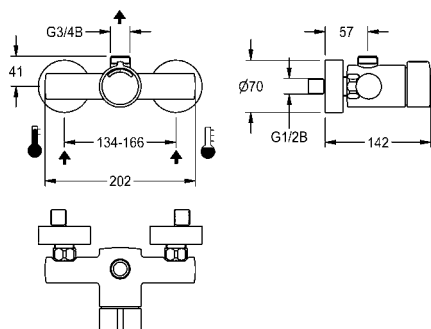
2000101454

# F3 self-closing and electronic mixers

Type	Article Number
------	----------------

## F3S-Mix self-closing wall-mounted mixer

F3S-Mix self-closing wall-mounted mixer DN 15 as single-mixer for wall mounting, for shower facilities. Self-closing mixing cartridge, hydraulically controlled, piston-free design, self-closing, stepless configuration of flow duration. With adjustable temperature stop. Connects to hot and cold water. Housing with outlet on top, G 3/4 B, for installation of bent outlet or surface-mounted shower pipe, high-polished chromium-plated brass. With adjustable connections, with backflow preventer, strainers and screw rosettes.



<b>F3SM2001</b>	2030036198
-----------------	------------

### Optional accessories

Bent outlet 120 x 150 mm, maximum mounting dimension 130 x 134 mm

<b>ACXX2005</b>	2030050434
-----------------	------------

Bent outlet 120 x 500 mm, maximum mounting dimension 130 x 484 mm

<b>ACXX2006</b>	2030050435
-----------------	------------

Shower pipe, length 1200 mm, crank 39 mm

<b>ACSX2001</b>	2030039555
-----------------	------------

Diverter for hand shower

<b>ACXX2004</b>	2030041561
-----------------	------------

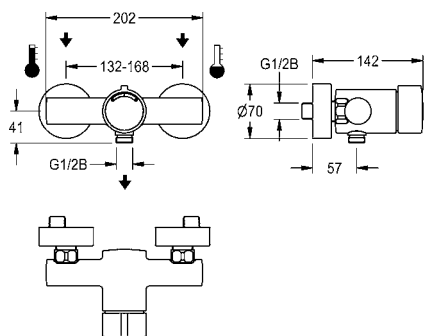
Adjustable and lockable screw connection, packing unit 2 pieces

<b>ACXX9001</b>	2030041416
-----------------	------------

Shower heads, see page 194 onwards

## F3S-Mix self-closing wall-mounted mixer with hand shower connection

F3S-Mix self-closing wall-mounted mixer DN 15 as single-mixer for wall mounting, for shower facilities. Self-closing mixing cartridge, hydraulically controlled, piston-free design, self-closing, stepless configuration of flow duration. With adjustable temperature stop. Connects to hot and cold water. Housing with hand shower connection G 1/2 B, high-polished chromium-plated brass. With adjustable connections, with backflow preventer, strainers and screw rosettes.



<b>F3SM2002</b>	2030036202
-----------------	------------

### Optional accessories

Hand shower

<b>ACXX2007</b>	2030051216
-----------------	------------

Shower bracket with shower holder

<b>ACXX2008</b>	2030051217
-----------------	------------

Adjustable and lockable screw connection, packing unit 2 pieces

<b>ACXX9001</b>	2030041416
-----------------	------------



### F3S-Mix self-closing in-wall mixer

F3S-Mix self-closing single-mixer DN 15 as finished installation kit for shower facilities. Self-closing mixing cartridge, hydraulically controlled, piston-free design, self-closing, stepless configuration of flow duration. With adjustable temperature stop. Connects to hot and cold water. All-metal construction, visible parts high-polished, chromium-plated. Holding frame including profile seal, stainless steel cover plate 190 x 245 mm with covered screw fixing, chromium-plated plastic rosettes, backflow preventer and strainers. Depth adjustability 25 mm.

**F3SM2004**

2030040074

#### Necessary accessories

R3 System box for in-wall mixers

**F3BX2001**

2030036141

**OR:** R5 system box with lockable screw connections and sliding adhesive flange, for in-wall mixers

**F5BX2001**

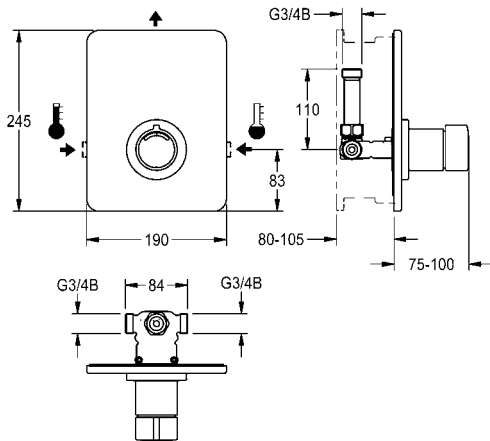
2030028990

#### Optional accessories

Extension set for 30 mm depth compensation

**ACSM2002**

2030046031



# F3 electronic mixers, R3 system box

Type	Article Number
------	----------------



## F3E-Therm electronic thermostat mixer

F3E-Therm thermostatic mixer DN 15 as finished installation kit for wall mounting in mounting material, for shower facilities. Electrically controlled, connects to hot water and cold water. Function block with integrated solenoid valve cartridge and thermostat, with metal handle with adjustable and turn-proof temperature stop and option for manual thermal disinfection. All-metal construction, visible parts high-polished, chrome-plated. With holding frame and profile seal, stainless-steel cover plate 190 x 245 mm with covered screw fixing including sensor with control electronics, rosette, backflow preventers and strainers. Depth adjustability 25 mm. Activated hygiene flushing 24 hours after last activation and storage of statistical data. With option for parameterization and communication via optional, bidirectional remote control.



Either for battery operation with 6 V lithium battery (CR-P2) per fitting or separate power supply via power supply unit 6.75 V/12 V DC.

Battery compartment including battery or power supply unit with extension cable must be ordered separately.

<b>F3ET2004</b>	2030067170
-----------------	------------

Necessary accessories (optionally)

R3 System box for in-wall mixers

<b>F3BX2001</b>	2030036141
-----------------	------------

**OR:** R5 system box with lockable screw connections and sliding adhesive flange, for in-wall mixers

<b>F5BX2001</b>	2030028990
-----------------	------------

Battery compartment including 6 V battery

<b>ZAQCT0003</b>	2000109466
------------------	------------

Power supply unit

<b>ACEX9001</b>	2030039477
-----------------	------------

Extension cable 5 m (per tap)

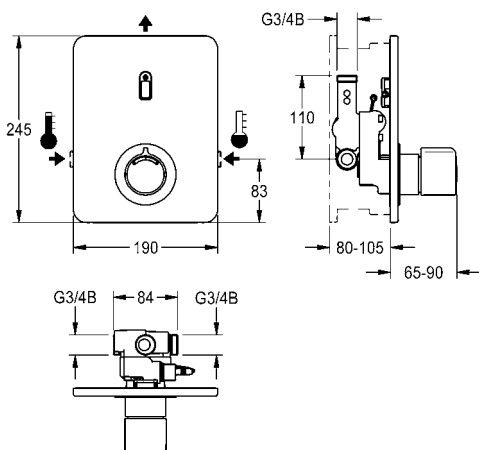
<b>ACEX9010</b>	2030043814
-----------------	------------

Optional accessories

Extension set for depth adjustment 25 mm

<b>ACXT9001</b>	2030067889
-----------------	------------

Bidirectional remote control, two-button remote control, see page 203





**R3 System box for in-wall valves**

R3 basic installation kit for in-wall mounting of finished installation kits DN 15 without mixing unit, for shower facilities. For connection to pre-mixed hot water or cold water. system box made of plastic, 174 x 225 mm, with connection screws, shell protection, flush connector for flushing, and leak test.

**F3BV2001** 2030040069

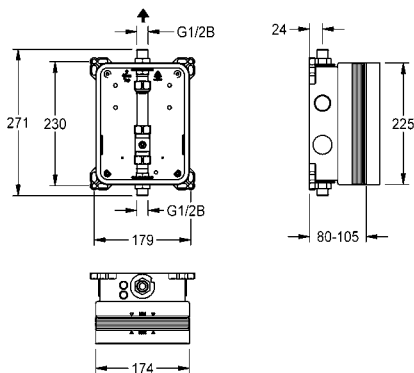
Optional accessories

Sliding adhesive flange

**ACBX9002** 2030041606

Mounting traverse, depth adjustable, for installing shower fittings with flush-mounting cabinets in drywall, packaging unit: 2 pieces

**ZCMPX006** 2000106019

**R3 System box for in-wall mixers**

R3 basic installation kit for in-wall mounting of finished installation kits DN 15 with mixing unit, for shower facilities. For connection to hot and cold water. System box made of plastic, 174 x 225 mm, with connection screws, shell protection, flush connector for flushing, and leak test.

**F3BX2001** 2030036141

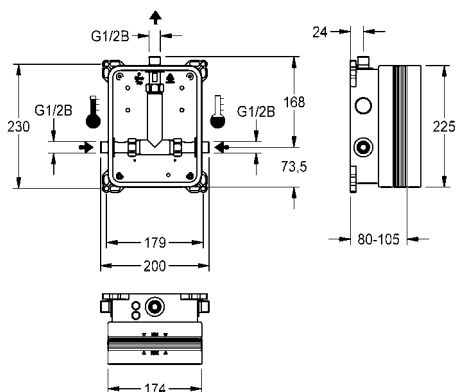
Optional accessories

Sliding adhesive flange

**ACBX9002** 2030041606

Mounting traverse, depth adjustable, for installing shower fittings with flush-mounting cabinets in drywall, packaging unit: 2 pieces

**ZCMPX006** 2000106019



# F5 Panels with self-closing mixer

Type

Article Number



## F5S Mix stainless steel shower panel

F5S Mix shower panel made of stainless steel for wall mounting with DN 15 self-closing single control mixer and connecting nozzles for the shower head. FRAMIC self-closing mixing cartridge, hydraulically controlled, low maintenance and stagnation free, with ceramic disc technology, self-closing, flow pressure independent due to the medium-independent design. Stepless adjustment of flow duration. With adjustable, turn-proof temperature stop. For connection to hot water and cold water. All-metal construction, visible parts high-polished or chrome-plated. Connecting nozzles for the required additional DN 15 KWC Professional shower head with pre-fitted flow regulator 9.0 l/min. Housing made of stainless steel with raised function surface and plastic cover caps. Connecting hoses with lockable water volume control with backflow preventer and strainer.

Dimensions of housing 235 x 1160 x 90 mm (W x H x D)

Shower head to be ordered separately.

**F5SM2020** 2030054248

with automatic shower pipe draining

**F5SM2014** 2030056581

Necessary accessories (optionally)

AQUAJET-Slimline shower head for F5 shower panels

**SHAS0011** 2030054255

AQUAJET-Comfort shower head for F5 shower panels

**SHAC0011** 2030054254

MÜNCHEN shower head for F5 shower panels

**SHMU0011** 2030054793

Optional accessories

Flow controller 6.0 l/min

**ESHHE0004** 2030027586

Flow controller 12.0 l/min

**ESHHE0002** 2000104783

Shower gel dish for push-in installation on F5 shower panels made of stainless steel

**ACXX2021** 2030057077

Housing extensions, see page 199



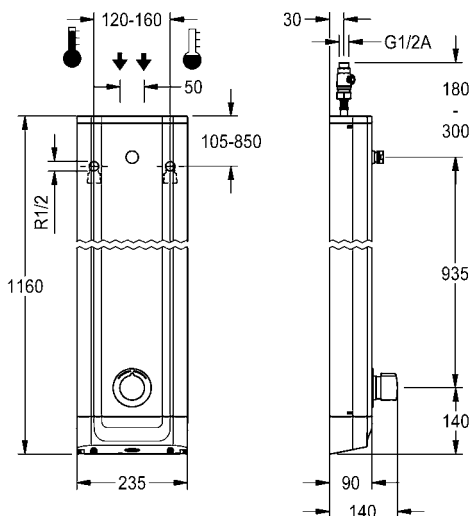
SHAS0011



SHAC0011



SHMU0011





### F5S-Mix stainless steel shower panel with hand shower fitting

F5S Mix shower panel made of stainless steel for wall mounting with DN 15 self-closing single control mixer and connecting nozzles for a hand shower fitting. FRAMIC self-closing mixing cartridge, hydraulically controlled, low maintenance and stagnation free, with ceramic disc technology, self-closing, flow pressure independent due to the medium-independent design. Stepless adjustment of flow duration. With adjustable, turn-proof temperature stop. For connection to hot water and cold water. All-metal construction, visible parts high-polished or chrome-plated. Pre-fitted chrome-plated brass shower pole with height-adjustable hand shower holder and chrome-plated plastic hand shower, shower head with rain jet, diameter 110 mm, shower hose 900 mm. Housing made of stainless steel with raised function surface and plastic cover caps. Connecting hoses with lockable water volume control with backflow preventer and strainer.

Dimensions of housing 235 x 1160 x 90 mm (W x H x D)

**F5SM2021**

2030056548

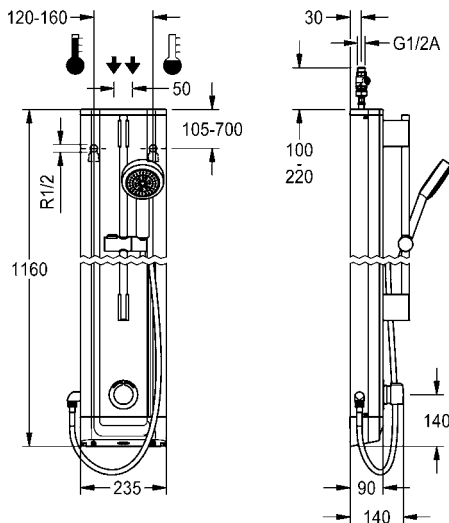
Optional accessories

Shower gel dish for push-in installation on F5 shower panels made of stainless steel

**ACXX2021**

2030057077

Housing extensions, see page 199



# F5 Panels with self-closing mixer

Type

Article Number



## F5S Mix MIRANIT shower panel

F5S Mix shower panel made of mineral material for wall mounting with DN 15 self-closing single control mixer and connecting nozzles for the shower head. FRAMIC self-closing mixing cartridge, hydraulically controlled, low maintenance and stagnation free, with ceramic disc technology, self-closing, flow pressure independent due to the medium-independent design. Stepless adjustment of flow duration. With adjustable, turn-proof temperature stop. For connection to hot water and cold water. All-metal construction, visible parts high-polished or chrome-plated. Connecting nozzles for the required additional DN 15 KWC Professional shower head with pre-fitted flow regulator 9.0 l/min. Housing with raised function surface made of MIRANIT resin-bonded mineral material with pore-free smooth surface (temperature-resistant up to 80 °C), Alpine white colour. Connecting hoses with lockable water volume control with backflow preventer and strainer.

Dimensions of housing 235 x 1160 x 100 mm (W x H x D)

Shower head to be ordered separately.

**F5SM2024** 2030056549

with automatic shower pipe draining

**F5SM2015** 2030056584

Necessary accessories (optionally)

AQUAJET-Slimline shower head for F5 shower panels

**SHAS0011** 2030054255

AQUAJET-Comfort shower head for F5 shower panels

**SHAC0011** 2030054254

MÜNCHEN shower head for F5 shower panels

**SHMU0011** 2030054793

Optional accessories

Flow controller 6.0 l/min

**ESHHE0004** 2030027586

Flow controller 12.0 l/min

**ESHHE0002** 2000104783

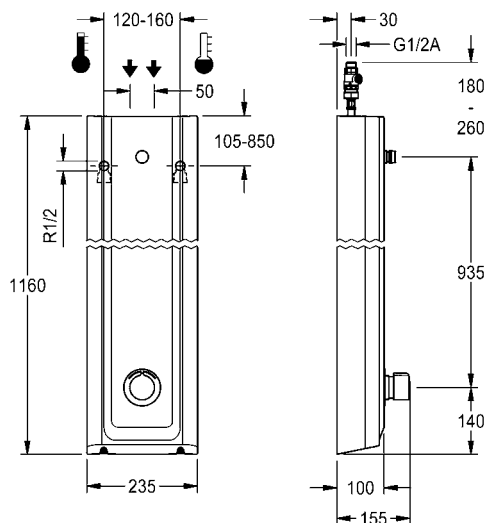
Housing extensions, see page 199



SHAS0011

SHAC0011

SHMU0011





### F5S Mix MIRANIT shower panel with shower gel shelf

F5S Mix shower panel made of mineral material for wall mounting with DN 15 self-closing single control mixer and connecting nozzles for the shower head. FRAMIC self-closing mixing cartridge, hydraulically controlled, low maintenance and stagnation free, with ceramic disc technology, self-closing, flow pressure independent due to the medium-independent design. Stepless adjustment of flow duration. With adjustable, turn-proof temperature stop. For connection to hot water and cold water. All-metal construction, visible parts high-polished or chrome-plated. Connecting nozzles for the required additional DN 15 KWC Professional shower head with pre-fitted flow regulator 9.0 l/min. Housing with raised function surface and seamless moulded shower gel shelf made of MIRANIT resin-bonded mineral material with pore-free smooth surface (temperature-resistant up to 80 °C), Alpine white colour. Connecting hoses with lockable water volume control with backflow preventer and strainer.

Dimensions of housing 235 x 1160 x 100 mm (W x H x D)

Shower head to be ordered separately.

**F5SM2026** 2030056552

with automatic shower pipe draining

**F5SM2016** 2030056588

Necessary accessories (optionally)

AQUAJET-Slimline shower head for F5 shower panels

**SHAS0011** 2030054255

AQUAJET-Comfort shower head for F5 shower panels

**SHAC0011** 2030054254

MÜNCHEN shower head for F5 shower panels

**SHMU0011** 2030054793

Optional accessories

Flow controller 6.0 l/min

**ESHHE0004** 2030027586

Flow controller 12.0 l/min

**ESHHE0002** 2000104783

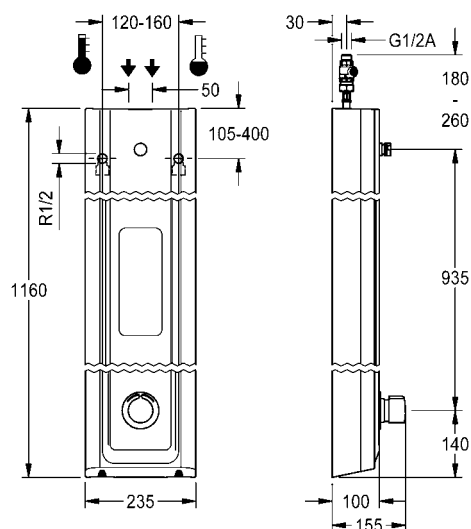
Housing extensions, see page 199



SHAS0011

SHAC0011

SHMU0011



# F5 Panels with self-closing mixer, thermostatic mixer

Type

Article Number



## F5S Mix shower panel made of MIRANIT with hand shower fitting

F5S Mix shower panel made of mineral material for wall mounting with DN 15 self-closing single control mixer and connecting nozzles for a hand shower fitting. FRAMIC self-closing mixing cartridge, hydraulically controlled, low maintenance and stagnation free, with ceramic disc technology, self-closing, flow pressure independent due to the medium-independent design. Stepless adjustment of flow duration. With adjustable, turn-proof temperature stop. For connection to hot water and cold water. All-metal construction, visible parts high-polished or chrome-plated. Pre-fitted chrome-plated brass shower pole with height-adjustable hand shower holder and chrome-plated plastic hand shower, shower head with rain jet, diameter 110 mm, shower hose 900 mm. Housing with raised function surface made of MIRANIT resin-bonded mineral material with pore-free smooth surface (temperature-resistant up to 80 °C), Alpine white colour. Connecting hoses with lockable water volume control with backflow preventer and strainer.

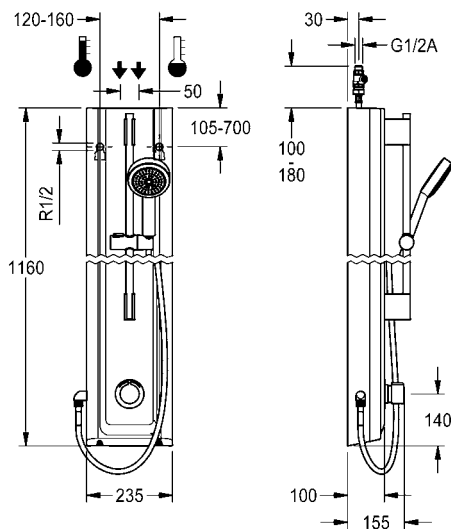
Dimensions of housing 235 x 1160 x 100 mm (W x H x D)

**F5SM2025**

2030056550

Optional accessories

Housing extensions, see page 199





### F5S-Therm stainless steel shower panel

F5S-Therm shower panel made of stainless steel for wall mounting with DN 15 self-closing thermostatic mixer and connecting nozzles for the shower head. Hydraulically controlled, for connection to hot water and cold water. Shower valve with integrated FRAMIC self-closing cartridge, thermostat and **pre-assembled hygiene unit** including sensor with control electronics to perform automatic water hygiene flushing, program-controlled thermal disinfection (additional bypass solenoid-operated flush valve cartridge required) and storage of statistical data. FRAMIC self-closing cartridge, low maintenance and stagnation free, with ceramic disc technology, self-closing, flow pressure independent due to the medium-independent design. Stepless adjustment of flow duration. Thermostat with metal handle, an adjustable and turn-proof temperature stop and an option for manual thermal disinfection. All-metal construction, visible parts high-polished or chrome-plated. Connecting nozzles for the required additional DN 15 KWC Professional shower head with pre-fitted flow regulator 9.0 l/min. Housing made of stainless steel with raised function surface and plastic cover caps. Connecting hoses with lockable water volume control with backflow preventer and strainer. Activated water hygiene flushing at fixed intervals of 24 hours. With option for parameterization and communication via the optional bidirectional remote control. Optional hygiene unit for battery operation with 6 V lithium battery (CR-P2) per fitting or separate power supply via plug-in power supply unit 6.75 V/12 V DC.

Dimensions of housing 235 x 1160 x 90 mm (W x H x D)

Shower head and battery compartment including battery or plug-in power supply unit with extension cable to be ordered separately.

**F5ST2020** 2030055929

Necessary accessories (optionally)

AQUAJET-Slimline shower head for F5 shower panels

**SHAS0011** 2030054255

AQUAJET-Comfort shower head for F5 shower panels

**SHAC0011** 2030054254

MÜNCHEN shower head for F5 shower panels

**SHMU0011** 2030054793

Battery compartment including 6 V battery

**ZAQCT0003** 2000109466

Power supply unit

**ACEX9001** 2030039477

Extension cable 5 m (per tap)

**ACEX9010** 2030043814

Optional accessories

Flow controller 6.0 l/min

**ESHHE0004** 2030027586

Flow controller 12.0 l/min

**ESHHE0002** 2000104783

Set for thermal disinfection

**ACXT2001** 2030057940

Shower gel dish for push-in installation on F5 shower panels made of stainless steel

**ACXX2021** 2030057077

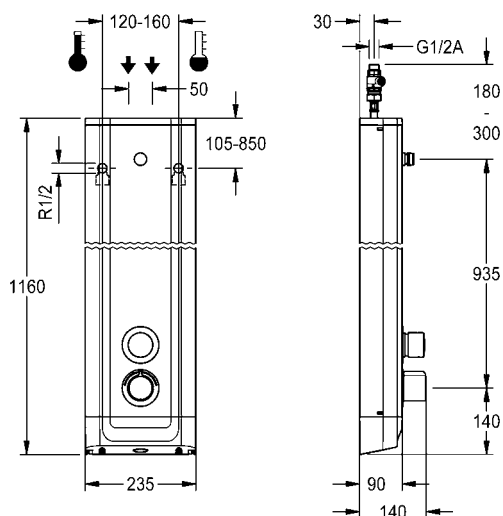
Housing extensions, bidirectional remote control, two-button remote control, see page 199 onwards



SHAS0011

SHAC0011

SHMU0011



# F5 Panels with self-closing thermostatic mixer

Type

Article Number



## F5S Therm stainless steel shower panel

F5S Therm shower panel made of stainless steel for wall mounting with DN 15 self-closing thermostatic mixer and connecting nozzles for the shower head. Hydraulically controlled, for connection to hot water and cold water. Shower valve with integrated FRAMIC self-closing cartridge, thermostat and mechanism for an optional water hygiene unit for automatic water hygiene flushing, program-controlled thermal disinfection (additional bypass solenoid-operated flush valve cartridge required) and storage of statistical data. FRAMIC self-closing cartridge, low maintenance and stagnation free, with ceramic disc technology, self-closing, flow pressure independent due to the medium-independent design. Stepless adjustment of flow duration. Thermostat with metal handle, an adjustable and turn-proof temperature stop and an option for manual thermal disinfection. All-metal construction, visible parts high-polished or chrome-plated. Connecting nozzles for the required additional DN 15 KWC Professional shower head with pre-fitted flow regulator 9.0 l/min. Housing made of stainless steel with raised function surface and plastic cover caps. Connecting hoses with lockable water volume control with backflow preventer and strainer.

Dimensions of housing 235 x 1160 x 90 mm (W x H x D)

Shower head to be ordered separately.

**F5ST2022** 2030056541

Necessary accessories (optionally)

AQUAJET-Slimline shower head for F5 shower panels

**SHAS0011** 2030054255

AQUAJET-Comfort shower head for F5 shower panels

**SHAC0011** 2030054254

MÜNCHEN shower head for F5 shower panels

**SHMU0011** 2030054793

Optional accessories

Flow controller 6.0 l/min

**ESHHE0004** 2030027586

Flow controller 12.0 l/min

**ESHHE0002** 2000104783

Hygiene unit for F5S Therm shower panel

**ACST2004** 2030057064

Set for thermal disinfection (in combination with hygiene unit)

**ACXT2001** 2030057940

Shower gel dish for push-in installation on F5 shower panels made of stainless steel

**ACXX2021** 2030057077

Housing extensions, see page 199

Note:

When using the ACST2004 hygiene unit, the battery compartment and battery (ZAQCT0003) or the power supply unit (ACEX9001) and extension cable (ACEX9010) must be ordered separately.



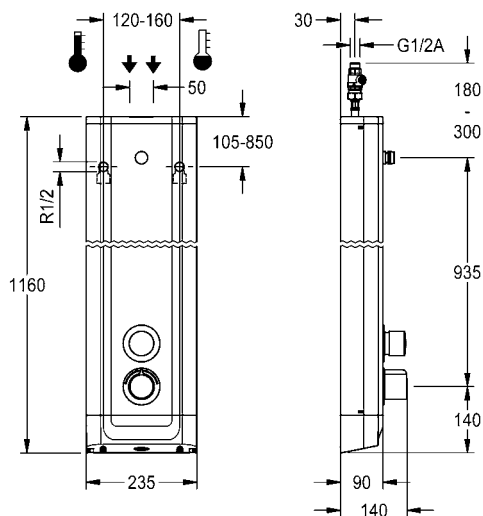
SHAS0011



SHAC0011



SHMU0011







### F5S Therm stainless steel shower panel with hand shower fitting

F5S Therm shower panel made of stainless steel for wall mounting with DN 15 self-closing thermostatic mixer and connecting nozzles for a hand shower fitting. Hydraulically controlled, for connection to hot water and cold water. Shower valve with integrated FRAMIC self-closing cartridge, thermostat and **pre-assembled hygiene unit** including sensor with control electronics to perform automatic water hygiene flushing, program-controlled thermal disinfection (additional bypass solenoid-operated flush valve cartridge required) and storage of statistical data. FRAMIC self-closing cartridge, low maintenance and stagnation free, with ceramic disc technology, self-closing, flow pressure independent due to the medium-independent design. Stepless adjustment of flow duration. Thermostat with metal handle, an adjustable and turn-proof temperature stop and an option for manual thermal disinfection. All-metal construction, visible parts high-polished or chrome-plated. Pre-fitted chrome-plated brass shower pole with height-adjustable hand shower holder and chrome-plated plastic hand shower, shower head with rain jet, diameter 110 mm, shower hose 900 mm. Housing made of stainless steel with raised function surface and plastic cover caps. Connecting hoses with lockable water volume control with backflow preventer and strainer. Activated water hygiene flushing at fixed intervals of 24 hours. With option for parameterization and communication via the optional bidirectional remote control. Optional hygiene unit for battery operation with 6 V lithium battery (CR-P2) per fitting or separate power supply via plug-in power supply unit 6.75 V/12 V DC.

Dimensions of housing 235 x 1160 x 90 mm (W x H x D)

Battery compartment including battery or plug-in power supply unit with extension cable to be ordered separately.

**F5ST2021** 2030056539

Necessary accessories (optionally)

Battery compartment including 6 V battery

**ZAQCT0003** 2000109466

Power supply unit

**ACEX9001** 2030039477

Extension cable 5 m (per tap)

**ACEX9010** 2030043814

Optional accessories

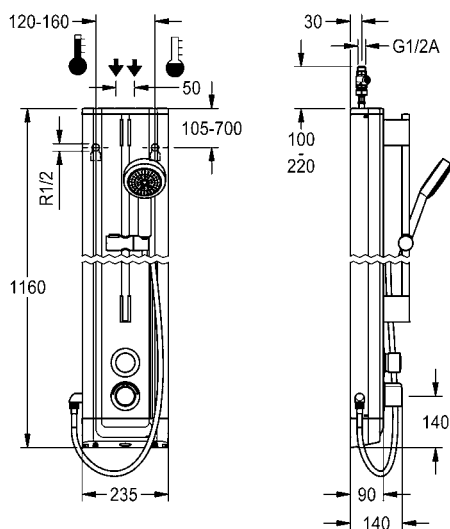
Set for thermal disinfection

**ACXT2001** 2030057940

Shower gel dish for push-in installation on F5 shower panels made of stainless steel

**ACXX2021** 2030057077

Housing extensions, bidirectional remote control, two-button remote control, see page 199 onwards



# F5 Panels with self-closing thermostatic mixer

Type

Article Number



## F5S Therm stainless steel shower panel with hand shower fitting

F5S Therm shower panel made of stainless steel for wall mounting with DN 15 self-closing thermostatic mixer and a hand shower fitting. Hydraulically controlled, for connection to hot water and cold water. Shower valve with integrated FRAMIC self-closing cartridge, thermostat and mechanism for an optional water hygiene unit for automatic water hygiene flushing, program-controlled thermal disinfection (additional bypass solenoid-operated flush valve cartridge required) and storage of statistical data. FRAMIC self-closing cartridge, low maintenance and stagnation free, with ceramic disc technology, self-closing, flow pressure independent due to the medium-independent design. Stepless adjustment of flow duration. Thermostat with metal handle, an adjustable and turn-proof temperature stop and an option for manual thermal disinfection. All-metal construction, visible parts high-polished or chrome-plated. Pre-fitted chrome-plated brass shower pole with height-adjustable hand shower holder and chrome-plated plastic hand shower, shower head with rain jet, diameter 110 mm, shower hose 900 mm. Housing made of stainless steel with raised function surface and plastic cover caps. Connecting hoses with lockable water volume control with backflow preventer and strainer.



Dimensions of housing 235 x 1160 x 90 mm (W x H x D)

**F5ST2023** 2030056542

### Optional accessories

Hygiene unit for F5S Therm shower panel

**ACST2004** 2030057064

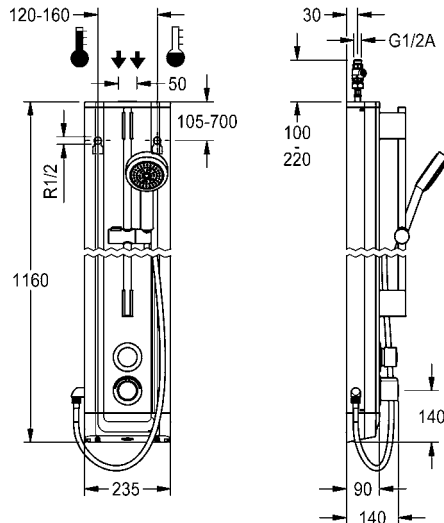
Set for thermal disinfection (in combination with hygiene unit)

**ACXT2001** 2030057940

Shower gel dish for push-in installation on F5 shower panels made of stainless steel

**ACXX2021** 2030057077

Housing extensions, see page 199



### Note:

When using the ACST2004 hygiene unit, the battery compartment and battery (ZAQCT0003) or the power supply unit (ACEX9001) and extension cable (ACEX9010) must be ordered separately.



### F5S-Therm MIRANIT shower panel

F5S-Therm shower panel made of mineral material for wall mounting with DN 15 self-closing thermostatic mixer and connecting nozzles for the shower head. Hydraulically controlled, for connection to hot water and cold water. Shower valve with integrated FRAMIC self-closing cartridge, thermostat and **pre-assembled hygiene unit** including sensor with control electronics to perform automatic water hygiene flushing, program-controlled thermal disinfection (additional bypass solenoid-operated flush valve cartridge required) and storage of statistical data. FRAMIC self-closing cartridge, low maintenance and stagnation free, with ceramic disc technology, self-closing, flow pressure independent due to the medium-independent design. Stepless adjustment of flow duration. Thermostat with metal handle, an adjustable and turn-proof temperature stop and an option for manual thermal disinfection. All-metal construction, visible parts high-polished or chrome-plated. Connecting nozzles for the required additional DN 15 KWC Professional shower head with pre-fitted flow regulator 9.0 l/min. Housing with raised function surface made of MIRANIT resin-bonded mineral material with pore-free smooth surface (temperature-resistant up to 80 °C), Alpine white colour. Connecting hoses with lockable water volume control with backflow preventer and strainer. Activated water hygiene flushing at fixed intervals of 24 hours. With option for parameterization and communication via the optional bidirectional remote control. Optional hygiene unit for battery operation with 6 V lithium battery (CR-P2) per fitting or separate power supply via plug-in power supply unit 6.75 V/12 V DC.

Dimensions of housing 235 x 1160 x 100 mm (W x H x D)

Shower head and battery compartment including battery or plug-in power supply unit with extension cable to be ordered separately.

**F5ST2024** 2030056543

Necessary accessories (optionally)

AQUAJET-Slimline shower head for F5 shower panels

**SHAS0011** 2030054255

AQUAJET-Comfort shower head for F5 shower panels

**SHAC0011** 2030054254

MÜNCHEN shower head for F5 shower panels

**SHMU0011** 2030054793

Battery compartment including 6 V battery

**ZAQCT0003** 2000109466

Power supply unit

**ACEX9001** 2030039477

Extension cable 5 m (per tap)

**ACEX9010** 2030043814

Optional accessories

Flow controller 6.0 l/min

**ESHHE0004** 2030027586

Flow controller 12.0 l/min

**ESHHE0002** 2000104783

Set for thermal disinfection

**ACXT2001** 2030057940

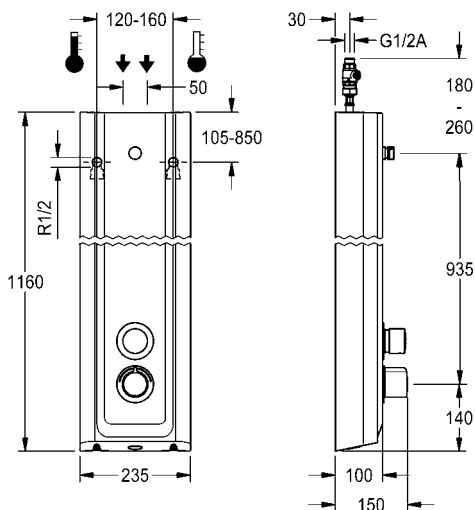
Housing extensions, bidirectional remote control, two-button remote control, see page 199 onwards



SHAS0011

SHAC0011

SHMU0011



# F5 Panels with self-closing thermostatic mixer

Type

Article Number



## F5S Therm MIRANIT shower panel

F5S Therm shower panel made of mineral material for wall mounting with DN 15 self-closing thermostatic mixer and connecting nozzles for the shower head. Hydraulically controlled, for connection to hot water and cold water. Shower valve with integrated FRAMIC self-closing cartridge, thermostat and mechanism for an optional water hygiene unit for automatic water hygiene flushing, program-controlled thermal disinfection (additional bypass solenoid-operated flush valve cartridge required) and storage of statistical data. FRAMIC self-closing cartridge, low maintenance and stagnation free, with ceramic disc technology, self-closing, flow pressure independent due to the medium-independent design. Stepless adjustment of flow duration. Thermostat with metal handle, an adjustable and turn-proof temperature stop and an option for manual thermal disinfection. All-metal construction, visible parts high-polished or chrome-plated. Connecting nozzles for the required additional DN 15 KWC Professional shower head with pre-fitted flow regulator 9.0 l/min. Housing with raised function surface made of MIRANIT resin-bonded mineral material with pore-free smooth surface (temperature-resistant up to 80 °C), Alpine white colour. Connecting hoses with lockable water volume control with backflow preventer and strainer.

Dimensions of housing 235 x 1160 x 100 mm (W x H x D)

Shower head to be ordered separately.

**F5ST2027** 2030056545

Necessary accessories (optionally)

AQUAJET-Slimline shower head for F5 shower panels

**SHAS0011** 2030054255

AQUAJET-Comfort shower head for F5 shower panels

**SHAC0011** 2030054254

MÜNCHEN shower head for F5 shower panels

**SHMU0011** 2030054793

Optional accessories

Flow controller 6.0 l/min

**ESHHE0004** 2030027586

Flow controller 12.0 l/min

**ESHHE0002** 2000104783

Hygiene unit for F5S Therm shower panel

**ACST2004** 2030057064

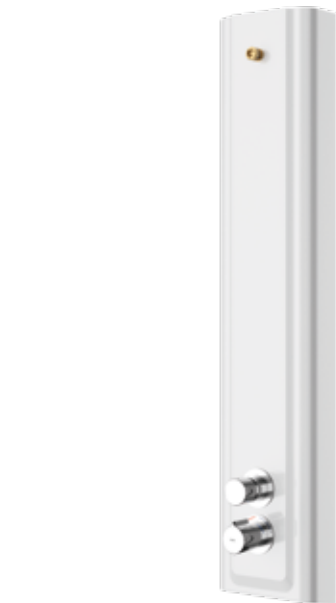
Set for thermal disinfection (in combination with hygiene unit)

**ACXT2001** 2030057940

Housing extensions, see page 199

Note:

When using the ACST2004 hygiene unit, the battery compartment and battery (ZAQCT0003) or the power supply unit (ACEX9001) and extension cable (ACEX9010) must be ordered separately.



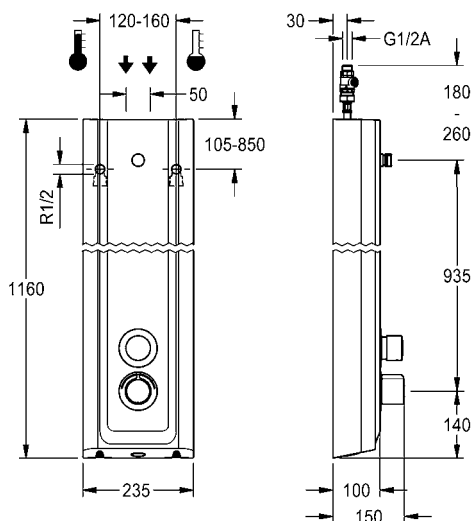
SHAS0011



SHAC0011



SHMU0011





### F5S Therm MIRANIT shower panel

F5S Therm shower panel made of mineral material for wall mounting with DN 15 self-closing thermostatic mixer and connecting nozzles for the shower head. Hydraulically controlled, for connection to hot water and cold water. Shower valve with integrated FRAMIC self-closing cartridge, thermostat and **pre-assembled hygiene unit** including sensor with control electronics to perform automatic water hygiene flushing, program-controlled thermal disinfection (additional bypass solenoid-operated flush valve cartridge required) and storage of statistical data. FRAMIC self-closing cartridge, low maintenance and stagnation free, with ceramic disc technology, self-closing, flow pressure independent due to the medium-independent design. Stepless adjustment of flow duration. Thermostat with metal handle, an adjustable and turn-proof temperature stop and an option for manual thermal disinfection. All-metal construction, visible parts high-polished or chrome-plated. Connecting nozzles for the required additional DN 15 KWC Professional shower head with pre-fitted flow regulator 9.0 l/min. Housing with raised function surface and seamless moulded shower gel shelf made of MIRANIT resin-bonded mineral material with pore-free smooth surface (temperature-resistant up to 80 °C), Alpine white colour. Connecting hoses with lockable water volume control with backflow preventer and strainer. Activated water hygiene flushing at fixed intervals of 24 hours. With option for parameterization and communication via the optional bidirectional remote control. Optional hygiene unit for battery operation with 6 V lithium battery (CR-P2) per fitting or separate power supply via plug-in power supply unit 6.75 V/12 V DC.

Dimensions of housing 235 x 1160 x 100 mm (W x H x D)

Battery compartment including battery or plug-in power supply unit with extension cable to be ordered separately.

**F5ST2026** 2030054253

Necessary accessories (optionally)

AQUAJET-Slimline shower head for F5 shower panels

**SHAS0011** 2030054255

AQUAJET-Comfort shower head for F5 shower panels

**SHAC0011** 2030054254

MÜNCHEN shower head for F5 shower panels

**SHMU0011** 2030054793

Battery compartment including 6 V battery

**ZAQCT0003** 2000109466

Power supply unit

**ACEX9001** 2030039477

Extension cable 5 m (per tap)

**ACEX9010** 2030043814

Optional accessories

Flow controller 6.0 l/min

**ESHHE0004** 2030027586

Flow controller 12.0 l/min

**ESHHE0002** 2000104783

Set for thermal disinfection

**ACXT2001** 2030057940

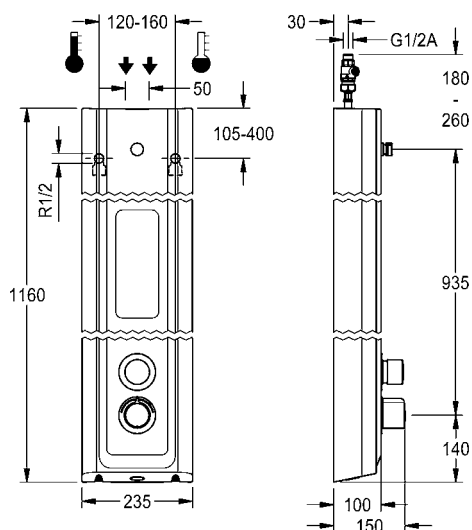
Housing extensions, bidirectional remote control, two-button remote control, see page 199 onwards



SHAS0011

SHAC0011

SHMU0011



# F5 Panels with self-closing thermostatic mixer

Type

Article Number



## F5S Therm MIRANIT shower panel

F5S Therm shower panel made of mineral material for wall mounting with DN 15 self-closing thermostatic mixer and connecting nozzles for the shower head. Hydraulically controlled, for connection to hot water and cold water. Shower valve with integrated FRAMIC self-closing cartridge, thermostat and mechanism for an optional water hygiene unit for automatic water hygiene flushing, program-controlled thermal disinfection (additional bypass solenoid-operated flush valve cartridge required) and storage of statistical data. FRAMIC self-closing cartridge, low maintenance and stagnation free, with ceramic disc technology, self-closing, flow pressure independent due to the medium-independent design. Stepless adjustment of flow duration. Thermostat with metal handle, an adjustable and turn-proof temperature stop and an option for manual thermal disinfection. All-metal construction, visible parts high-polished or chrome-plated. Connecting nozzles for the required additional DN 15 KWC Professional shower head with pre-fitted flow regulator 9.0 l/min. Housing with raised function surface and seamless moulded shower gel shelf made of MIRANIT resin-bonded mineral material with pore-free smooth surface (temperature-resistant up to 80 °C), Alpine white colour. Connecting hoses with lockable water volume control with backflow preventer and strainer.



Dimensions of housing 235 x 1160 x 100 mm (W x H x D)

Shower head must be ordered separately.

**F5ST2029** 2030056547

Necessary accessories (optionally)

AQUAJET-Slimline shower head for F5 shower panels

**SHAS0011** 2030054255

AQUAJET-Comfort shower head for F5 shower panels

**SHAC0011** 2030054254

MÜNCHEN shower head for F5 shower panels

**SHMU0011** 2030054793

Optional accessories

Flow controller 6.0 l/min

**ESHHE0004** 2030027586

Flow controller 12.0 l/min

**ESHHE0002** 2000104783

Hygiene unit for F5S Therm shower panel

**ACST2004** 2030057064

Set for thermal disinfection (in combination with hygiene unit)

**ACXT2001** 2030057940

Housing extensions, see page 199

Note:

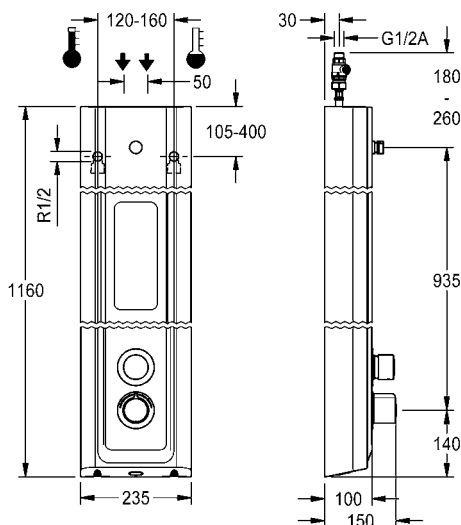
When using the ACST2004 hygiene unit, the battery compartment and battery (ZAQT0003) or the power supply unit (ACEX9001) and extension cable (ACEX9010) must be ordered separately.



SHAS0011

SHAC0011

SHMU0011



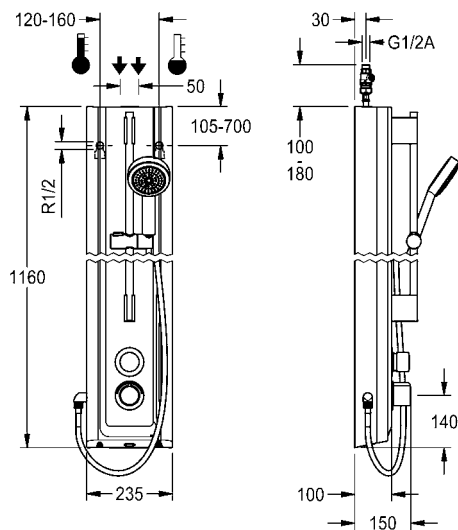


### F5S Therm shower panel made of MIRANIT with hand shower fitting

F5S Therm shower panel made of mineral material for wall mounting with DN 15 self-closing thermostatic mixer and a hand shower fitting. Hydraulically controlled, for connection to hot water and cold water. Shower valve with integrated FRAMIC self-closing cartridge, thermostat and **pre-assembled hygiene unit** including sensor with control electronics to perform automatic water hygiene flushing, program-controlled thermal disinfection (additional bypass solenoid-operated flush valve cartridge required) and storage of statistical data. FRAMIC self-closing cartridge, low maintenance and stagnation free, with ceramic disc technology, self-closing, flow pressure independent due to the medium-independent design. Stepless adjustment of flow duration. Thermostat with metal handle, an adjustable and turn-proof temperature stop and an option for manual thermal disinfection. All-metal construction, visible parts high-polished or chrome-plated. Pre-fitted chrome-plated brass shower pole with height-adjustable hand shower holder and chrome-plated plastic hand shower, shower head with rain jet, diameter 110 mm, shower hose 900 mm. Housing with raised function surface made of MIRANIT resin-bonded mineral material with pore-free smooth surface (temperature-resistant up to 80 °C), Alpine white colour. Connecting hoses with lockable water volume control with backflow preventer and strainer. Activated water hygiene flushing at fixed intervals of 24 hours. With option for parameterization and communication via the optional bidirectional remote control. Optional hygiene unit for battery operation with 6 V lithium battery (CR-P2) per fitting or separate power supply via plug-in power supply unit 6.75 V/12 V DC.

Dimensions of housing 235 x 1160 x 100 mm (W x H x D)

Battery compartment including battery or plug-in power supply unit with extension cable to be ordered separately.



**F5ST2025** 2030056544

Necessary accessories (optionally)

Battery compartment including 6 V battery  
**ZAQCT0003** 2000109466

Power supply unit  
**ACEX9001** 2030039477

Extension cable 5 m (per tap)  
**ACEX9010** 2030043814

Optional accessories

Set for thermal disinfection  
**ACXT2001** 2030057940

Housing extensions, bidirectional remote control, two-button remote control, see page 199 onwards

# F5 Panels with self-closing thermostatic mixer, electronic mixer

Type Article Number



## F5S Therm shower panel made of MIRANIT with hand shower fitting



F5S Therm shower panel made of mineral material for wall mounting with DN 15 self-closing thermostatic mixer and a hand shower fitting. Hydraulically controlled, for connection to hot water and cold water. Shower valve with integrated FRAMIC self-closing cartridge, thermostat and mechanism for an optional water hygiene unit for automatic water hygiene flushing, program-controlled thermal disinfection (additional bypass solenoid-operated flush valve cartridge required) and storage of statistical data. FRAMIC self-closing cartridge, low maintenance and stagnation free, with ceramic disc technology, self-closing, flow pressure independent due to the medium-independent design. Stepless adjustment of flow duration. Thermostat with metal handle, an adjustable and turn-proof temperature stop and an option for manual thermal disinfection. All-metal construction, visible parts high-polished or chrome-plated. Pre-fitted chrome-plated brass shower pole with height-adjustable hand shower holder and chrome-plated plastic hand shower, shower head with rain jet, diameter 110 mm, shower hose 900 mm. Housing with raised function surface made of MIRANIT resin-bonded mineral material with pore-free smooth surface (temperature-resistant up to 80 °C), Alpine white colour. Connecting hoses with lockable water volume control with backflow preventer and strainer.

Dimensions of housing 235 x 1160 x 100 mm (W x H x D)

**F5ST2028** 2030056546

### Optional accessories

Hygiene unit for F5S Therm shower panel

**ACST2004** 2030057064

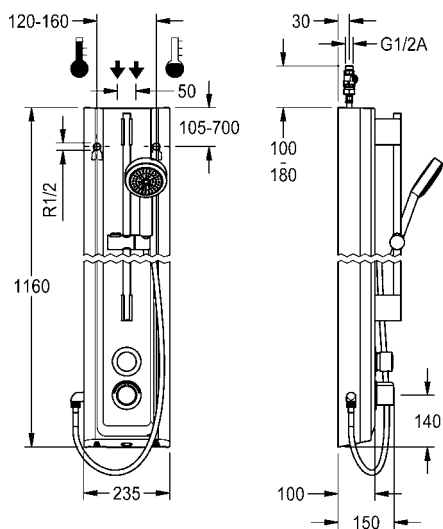
Set for thermal disinfection (in combination with hygiene unit)

**ACXT2001** 2030057940

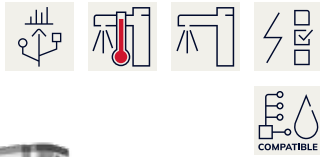
Housing extensions, see page 199

### Note:

When using the ACST2004 hygiene unit, the battery compartment and battery (ZAQCT0003) or the power supply unit (ACEX9001) and extension cable (ACEX9010) must be ordered separately.







### F5E-Therm stainless steel shower panel

F5E-Therm shower panel made of stainless steel for wall mounting with thermostatic mixer and connecting nozzles for the shower head. Electrically controlled, for connection to hot water and cold water. Shower valve with integrated solenoid valve cartridge, thermostat and mechanism for optional bypass solenoid valve cartridge to perform program-controlled thermal disinfection. Thermostat with metal handle, an adjustable and turn-proof temperature stop and an option for manual thermal disinfection. All-metal construction, visible parts high-polished or chrome-plated. Connecting nozzles for the required additional DN 15 KWC Professional shower head with pre-fitted flow regulator 9.0 l/min. Housing made of stainless steel with raised function surface and plastic cover caps. Button sensor including control electronics with start/stop function and deactivation for cleaning. Connecting hoses with lockable water volume control with backflow preventer and strainer. Activated water hygiene flushing 24 hours after last activation and saving of statistical data. With option for parameterization and communication via the optional bidirectional remote control. Battery operation with 6 V lithium battery (CR-P2) per fitting, separate power supply via plug-in power supply unit 6.75 V/12 V DC or AQUA 3000 open system accessories.

Dimensions of housing 235 x 1160 x 90 mm (W x H x D)

Shower head and battery compartment including battery or plug-in power supply unit with extension cable to be ordered separately.



SHAS0011

SHAC0011

SHMU0011

<b>F5ET2020</b>	2030054250
-----------------	------------

Necessary accessories (optionally)

AQUAJET-Slimline shower head for F5 shower panels	
---	--

<b>SHAS0011</b>	2030054255
-----------------	------------

AQUAJET-Comfort shower head for F5 shower panels	
--	--

<b>SHAC0011</b>	2030054254
-----------------	------------

MÜNCHEN shower head for F5 shower panels	
--	--

<b>SHMU0011</b>	2030054793
-----------------	------------

Battery compartment including 6 V battery	
---	--

<b>ZAQCT0003</b>	2000109466
------------------	------------

Power supply unit	
-------------------	--

<b>ACEX9001</b>	2030039477
-----------------	------------

Extension cable 5 m (per tap)	
-------------------------------	--

<b>ACEX9010</b>	2030043814
-----------------	------------

Optional accessories

Flow controller 6.0 l/min	
---------------------------	--

<b>ESHHE0004</b>	2030027586
------------------	------------

Flow controller 12.0 l/min	
----------------------------	--

<b>ESHHE0002</b>	2000104783
------------------	------------

Set for thermal disinfection	
------------------------------	--

<b>ACXT2001</b>	2030057940
-----------------	------------

Shower gel dish for push-in installation on F5 shower panels made of stainless steel	
--	--

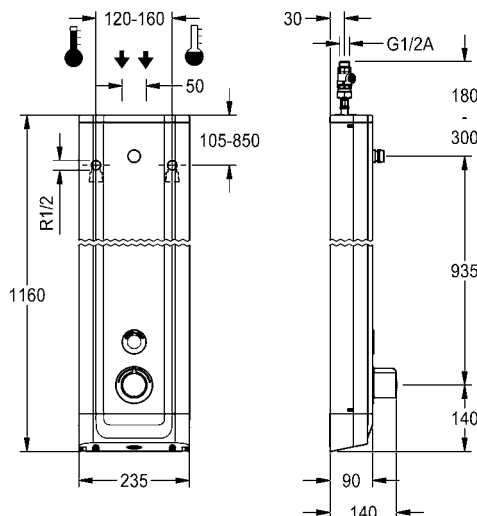
<b>ACXX2021</b>	2030057077
-----------------	------------

Electronic module EM5 with ID 07040	
-------------------------------------	--

<b>ACET2001</b>	2030041918
-----------------	------------

Housing extensions, bidirectional remote control, two-button remote control, see page 199 onwards

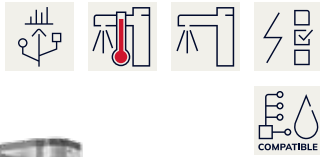
AQUA 3000 open system accessories, see "AQUA 3000 open" section



# F5 Panels with electronic mixers

Type

Article Number



## F5E Therm stainless steel shower panel with hand shower fitting

F5E Therm shower panel made of stainless steel for wall mounting with thermostatic mixer and a hand shower fitting. Electrically controlled, for connection to hot water and cold water. Shower valve with integrated solenoid valve cartridge, thermostat and mechanism for optional bypass solenoid valve cartridge to perform program-controlled thermal disinfection. Thermostat with metal handle, an adjustable and turn-proof temperature stop and an option for manual thermal disinfection. All-metal construction, visible parts high-polished or chrome-plated. Pre-fitted chrome-plated brass shower pole with height-adjustable hand shower holder and chrome-plated plastic hand shower, shower head with rain jet, diameter 110 mm, shower hose 900 mm. Housing made of stainless steel with raised function surface and plastic cover caps. Button sensor including control electronics with start/stop function and deactivation for cleaning. Connecting hoses with lockable water volume control with backflow preventer and strainer. Activated water hygiene flushing 24 hours after last activation and saving of statistical data. With option for parameterization and communication via the optional bidirectional remote control. Battery operation with 6 V lithium battery (CR-P2) per fitting, separate power supply via plug-in power supply unit 6.75 V / 12 V DC or AQUA 3000 open system accessories.

Dimensions of housing 235 x 1160 x 90 mm (W x H x D)

Battery compartment including battery or plug-in power supply unit with extension cable to be ordered separately.

**F5ET2021** 2030056562

Necessary accessories (optionally)

Battery compartment including 6 V battery

**ZAQCT0003** 2000109466

Power supply unit

**ACEX9001** 2030039477

Extension cable 5 m (per tap)

**ACEX9010** 2030043814

Optional accessories

Set for thermal disinfection

**ACXT2001** 2030057940

Shower gel dish for push-in installation on F5 shower panels made of stainless steel

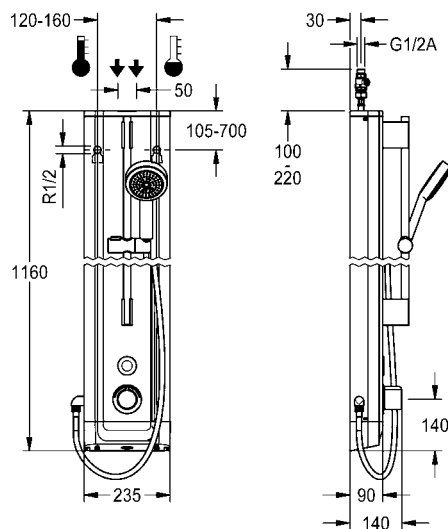
**ACXX2021** 2030057077

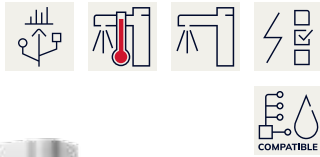
Electronic module EM5 with ID 07040

**ACET2001** 2030041918

Housing extensions, bidirectional remote control, two-button remote control, see page 199 onwards

AQUA 3000 open system accessories, see "AQUA 3000 open" section





### F5E-Therm MIRANIT shower panel

F5E-Therm shower panel made of mineral material for wall mounting with thermostatic mixer and connecting nozzles for the shower head. Electrically controlled, for connection to hot water and cold water. Shower valve with integrated solenoid valve cartridge, thermostat and mechanism for optional bypass solenoid valve cartridge to perform program-controlled thermal disinfection. Thermostat with metal handle, an adjustable and turn-proof temperature stop and an option for manual thermal disinfection. All-metal construction, visible parts high-polished or chrome-plated. Connecting nozzles for the required additional DN 15 KWC Professional shower head with pre-fitted flow regulator 9.0 l/min. Housing with raised function surface made of MIRANIT resin-bonded mineral material with pore-free smooth surface (temperature-resistant up to 80 °C), Alpine white colour. Button sensor including control electronics with start/stop function and deactivation for cleaning. Connecting hoses with lockable water volume control with backflow preventer and strainer. Activated water hygiene flushing 24 hours after last activation and saving of statistical data. With option for parameterization and communication via the optional bidirectional remote control. Battery operation with 6 V lithium battery (CR-P2) per fitting, separate power supply via plug-in power supply unit 6.75 V/12 V DC or AQUA 3000 open system accessories.

Dimensions of housing 235 x 1160 x 100 mm (W x H x D)

Shower head and battery compartment including battery or plug-in power supply unit with extension cable to be ordered separately.

**F5ET2024** 2030056563

Necessary accessories (optionally)

AQUAJET-Slimline shower head for F5 shower panels

**SHAS0011** 2030054255

AQUAJET-Comfort shower head for F5 shower panels

**SHAC0011** 2030054254

MÜNCHEN shower head for F5 shower panels

**SHMU0011** 2030054793

Battery compartment including 6 V battery

**ZAQCT0003** 2000109466

Power supply unit

**ACEX9001** 2030039477

Extension cable 5 m (per tap)

**ACEX9010** 2030043814

Optional accessories

Flow controller 6.0 l/min

**ESHHE0004** 2030027586

Flow controller 12.0 l/min

**ESHHE0002** 2000104783

Set for thermal disinfection

**ACXT2001** 2030057940

Electronic module EM5 with ID 07040

**ACET2001** 2030041918

Housing extensions, bidirectional remote control, two-button remote control, see page 199 onwards

AQUA 3000 open system accessories, see "AQUA 3000 open" section



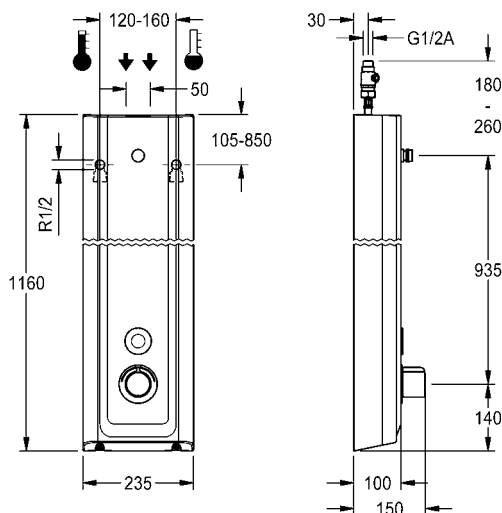
SHAS0011



SHAC0011

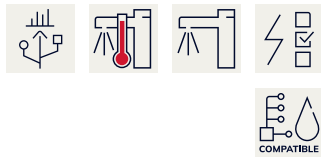


SHMU0011



# F5 Panels with electronic mixers

Type Article Number



## F5E Therm MIRANIT shower panel with shower gel shelf

F5E Therm shower panel made of mineral material for wall mounting with thermostatic mixer and connecting nozzles for the shower head. Electrically controlled, for connection to hot water and cold water. Shower valve with integrated solenoid valve cartridge, thermostat and mechanism for optional bypass solenoid valve cartridge to perform program-controlled thermal disinfection. Thermostat with metal handle, an adjustable and turn-proof temperature stop and an option for manual thermal disinfection. All-metal construction, visible parts high-polished or chrome-plated. Connecting nozzles for the required additional DN 15 KWC Professional shower head with pre-fitted flow regulator 9.0 l/min. Housing with raised function surface and seamless moulded shower gel shelf made of MIRANIT resin-bonded mineral material with pore-free smooth surface (temperature-resistant up to 80 °C), Alpine white colour. Button sensor including control electronics with start/stop function and deactivation for cleaning. Connecting hoses with lockable water volume control with backflow preventer and strainer. Activated water hygiene flushing 24 hours after last activation and saving of statistical data. With option for parameterization and communication via the optional bidirectional remote control. Battery operation with 6 V lithium battery (CR-P2) per fitting, separate power supply via plug-in power supply unit 6.75 V/12 V DC or AQUA 3000 open system accessories.



Dimensions of housing 235 x 1160 x 100 mm (W x H x D)

Shower head and battery compartment including battery or plug-in power supply unit with extension cable to be ordered separately.

**F5ET2026** 2030056574

Necessary accessories (optionally)

AQUAJET-Slimline shower head for F5 shower panels

**SHAS0011** 2030054255

AQUAJET-Comfort shower head for F5 shower panels

**SHAC0011** 2030054254

MÜNCHEN shower head for F5 shower panels

**SHMU0011** 2030054793

Battery compartment including 6 V battery

**ZAQCT0003** 2000109466

Power supply unit

**ACEX9001** 2030039477

Extension cable 5 m (per tap)

**ACEX9010** 2030043814

Optional accessories

Flow controller 6.0 l/min

**ESHHE0004** 2030027586

Flow controller 12.0 l/min

**ESHHE0002** 2000104783

Set for thermal disinfection

**ACXT2001** 2030057940

Electronic module EM5 with ID 07040

**ACET2001** 2030041918

Housing extensions, bidirectional remote control, two-button remote control, see page 199 onwards

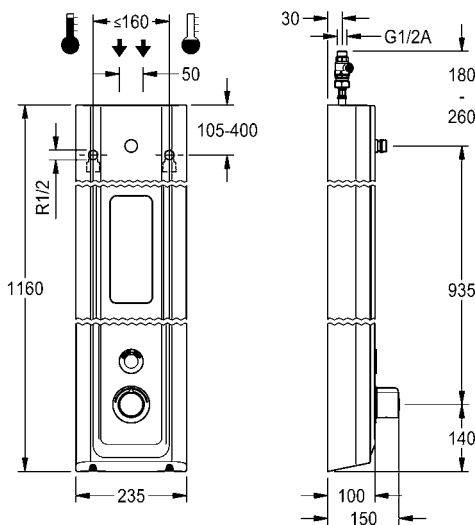
AQUA 3000 open system accessories, see "AQUA 3000 open" section

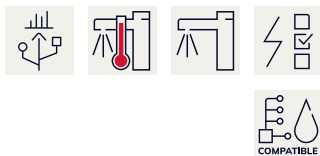


SHAS0011

SHAC0011

SHMU0011





### F5E Therm MIRANIT shower panel with hand shower fitting

F5E Therm shower panel made of mineral material for wall mounting with thermostatic mixer and a hand shower fitting. Electrically controlled, for connection to hot water and cold water. Shower valve with integrated solenoid valve cartridge, thermostat and mechanism for optional bypass solenoid valve cartridge to perform program-controlled thermal disinfection. Thermostat with metal handle, an adjustable and turn-proof temperature stop and an option for manual thermal disinfection. All-metal construction, visible parts high-polished or chrome-plated. Pre-fitted chrome-plated brass shower pole with height-adjustable hand shower holder and chrome-plated plastic hand shower, shower head with rain jet, diameter 110 mm, shower hose 900 mm. Housing with raised function surface made of MIRANIT resin-bonded mineral material with pore-free smooth surface (temperature-resistant up to 80 °C), Alpine white colour. Button sensor including control electronics with start/stop function and deactivation for cleaning. Connecting hoses with lockable water volume control with back-flow preventer and strainer. Activated water hygiene flushing 24 hours after last activation and saving of statistical data. With option for parameterization and communication via the optional bidirectional remote control. Battery operation with 6 V lithium battery (CR-P2) per fitting, separate power supply via plug-in power supply unit 6.75 V/12 V DC or AQUA 3000 open system accessories.



Dimensions of housing 235 x 1160 x 100 mm (W x H x D)

Battery compartment including battery or plug-in power supply unit with extension cable to be ordered separately.

**F5ET2025** 2030056573

Necessary accessories (optionally)

Battery compartment including 6 V battery

**ZAQCT0003** 2000109466

Power supply unit

**ACEX9001** 2030039477

Extension cable 5 m (per tap)

**ACEX9010** 2030043814

Optional accessories

Set for thermal disinfection

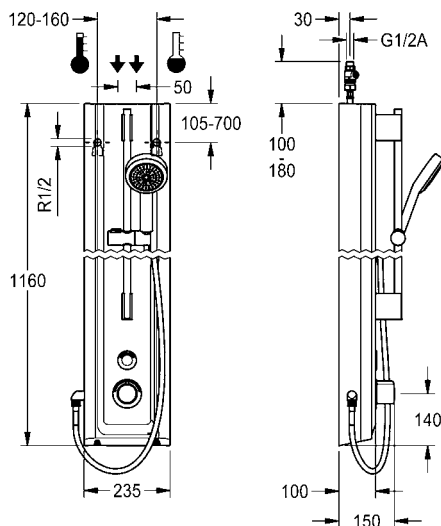
**ACXT2001** 2030057940

Electronic module EM5 with ID 07040

**ACET2001** 2030041918

Housing extensions, bidirectional remote control, two-button remote control, see page 199 onwards

AQUA 3000 open system accessories, see "AQUA 3000 open" section



# F5 Panels with thermostatic single-lever mixer

Type

Article Number



## F5L-Therm stainless-steel shower panel

F5L-Therm stainless-steel shower panel for wall mounting with single-lever thermostat DN 15 and connecting nozzle for shower head. For connection to hot and cold water. Function block with integrated mixing cartridge and **pre-assembled hygiene unit** including sensor with control electronics to perform automatic water hygiene flushing, program-controlled thermal disinfection (additional bypass solenoid-operated flush valve cartridge necessary) and storage of statistical data. Thermostatically-controlled mixer cartridge with expansion element and active scald protection as well as adjustable and turn-proof temperature stop, and ceramic disc technology. All-metal construction, visible parts high-polished, chrome-plated. Connecting nozzles for separate required DN 15 KWC Professional shower head with pre-fitted flow regulator 9.0 l/min. Stainless steel housing with raised function surface and cover caps made of plastic. With adjustable and lockable connections with backflow preventer and strainers. Activated hygiene flushing, fixed interval of 24 hours. With option for parameterization and communication via optional, bidirectional remote control. Optional hygiene unit for battery operation with 6 V lithium battery (CR-P2) per fitting or separate power supply via plug-in power supply unit 6.75 V/12 V DC.



Housing dimensions 235 x 1160 x 90 mm (W x H x D)

Shower head and battery compartment including battery or power supply unit with extension cable must be ordered separately.

**F5LT2020** 2030066509

Necessary accessories (optionally)

AQUAJET-Comfort shower head for F5 shower panels

**SHAC0011** 2030054254

AQUAJET-Slimline shower head for F5 shower panels

**SHAS0011** 2030054255

MÜNCHEN shower head for F5 shower panels

**SHMU0011** 2030054793

Battery compartment including 6 V battery

**ZAQCT0003** 2000109466

Power supply unit

**ACEX9001** 2030039477

Extension cable 5 m (per tap)

**ACEX9010** 2030043814

Optional accessories

Bypass solenoid valve cartridge, 6 V DC

**EAQFU0001** 2030003033

Shower gel dish for push-in installation on F5 shower panels made of stainless steel

**ACXX2021** 2030057077

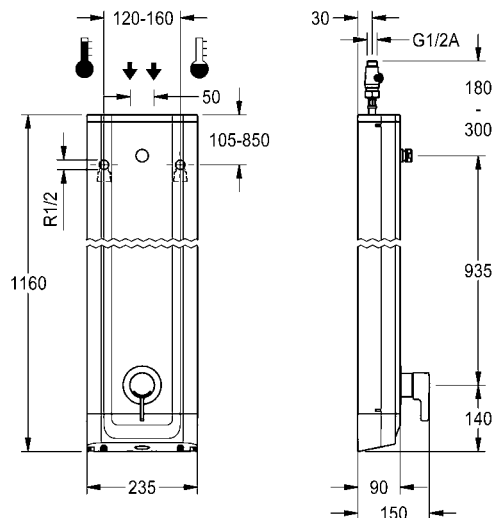
Flow controller 6.0 l/min

**ESHHE0004** 2030027586

Flow controller 12.0 l/min

**ESHHE0002** 2000104783

Housing extensions, bidirectional remote control, two-button remote control, see page 199 onwards





### F5L-Therm stainless-steel shower panel

F5L-Therm stainless-steel shower panel for wall mounting with single-lever thermostat DN 15 and connecting nozzle for shower head. For connection to hot and cold water. Function block with integrated mixing cartridge and mechanism for an optional water hygiene unit for automatic water hygiene flushing, program-controlled thermal disinfection (additional bypass solenoid-operated flush valve cartridge necessary) and storage of statistical data. Thermostatically-controlled mixer cartridge with expansion element and active scald protection as well as adjustable and turn-proof temperature stop, and ceramic disc technology. All-metal construction, visible parts high-polished, chrome-plated. Connecting nozzles for separate required DN 15 KWC Professional shower head with pre-fitted flow regulator 9.0 l/min. Stainless steel housing with raised function surface and cover caps made of plastic. With adjustable and lockable connections with back-flow preventer and strainers.

Housing dimensions 235 x 1160 x 90 mm (W x H x D)

Shower head must be ordered separately.

**F5LT2022** 2030066541

Necessary accessories (optionally)

AQUAJET-Slimline shower head for F5 shower panels

**SHAS0011** 2030054255

AQUAJET-Comfort shower head for F5 shower panels

**SHAC0011** 2030054254

MÜNCHEN shower head for F5 shower panels

**SHMU0011** 2030054793

Optional accessories

Hygiene unit for F5L single lever mixer shower panel

**ACLM2003** 2030057065

Bypass solenoid valve cartridge, 6 V DC

(in combination with hygiene unit)

**EAQFU0001** 2030003033

Shower gel dish for push-in installation on F5 shower panels made of stainless steel

**ACXX2021** 2030057077

Flow controller 6.0 l/min

**ESHHE0004** 2030027586

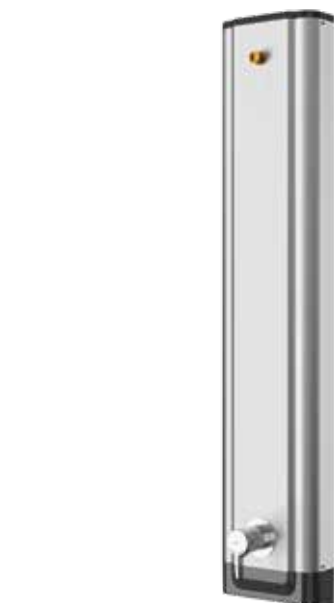
Flow controller 12.0 l/min

**ESHHE0002** 2000104783

Housing extensions, see page 199

Note:

When using the ACLM2003 hygiene unit, the battery compartment and battery (ZAQCT0003) or the power supply unit (ACEX9001) and extension cable (ACEX9010) must be ordered separately.



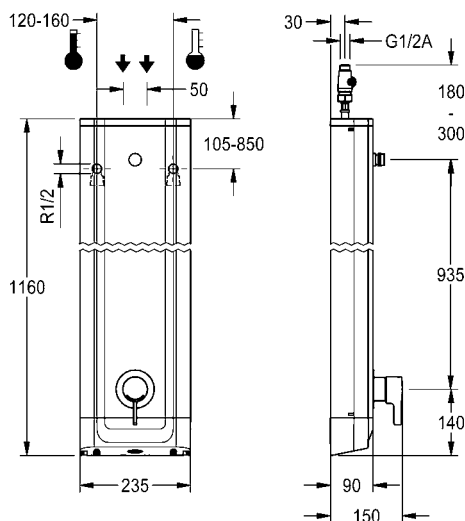
SHAS0011



SHAC0011



SHMU0011



# F5 Panels with thermostatic single-lever mixer

Type

Article Number



## F5L-Therm stainless-steel shower panel with hand shower fitting

F5L-Therm stainless-steel shower panel for wall mounting with single-lever thermostat DN 15 and hand shower fitting kit. For connect ion to hot and cold water. Function block with integrated mixing cartridge and **pre-assembled hygiene unit** including sensor with control electronics to perform automatic water hygiene flushing, program-controlled thermal disinfection (additional bypass solenoid-operated flush valve cartridge necessary) and storage of statistical data. Thermostatically-controlled mixer cartridge with expansion element and active scald protection as well as adjustable and turn-proof temperature stop, and ceramic disc technology. All-metal construction, visible parts high-polished, chrome-plated. Pre-fitted chrome-plated brass shower rail with height-adjustable hand shower holder and chrome-plated brass hand shower, shower head with rain jet, diameter 110 mm, shower hose 900 mm. Housing made of stainless steel with raised function surface and cover caps made of plastic. With adjustable and lockable connections with backflow preventer and strainers. Activated hygiene flushing, fixed interval of 24 hours. With option for parameterization and communication via optional, bidirectional remote control. Optional hygiene unit for battery operation with 6 V lithium battery (CR-P2) per fitting or separate power supply via plug-in power supply unit 6.75 V/12 V DC.

Housing dimensions 235 x 1160 x 90 mm (W x H x D)

Battery compartment including battery or power supply unit with extension cable must be ordered separately.

**F5LT2021** 2030066510

Necessary accessories (optionally)

Battery compartment including 6 V battery

**ZAQCT0003** 2000109466

Power supply unit

**ACEX9001** 2030039477

Extension cable 5 m (per tap)

**ACEX9010** 2030043814

Optional accessories

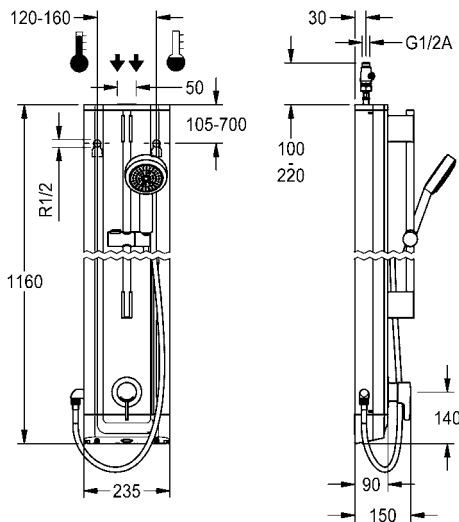
Bypass solenoid valve cartridge, 6 V DC

**EAQFU0001** 2030003033

Shower gel dish for push-in installation on F5 shower panels made of stainless steel

**ACXX2021** 2030057077

Housing extensions, bidirectional remote control, two-button remote control, see page 199 onwards







### F5L-Therm stainless-steel shower panel with hand shower fitting

F5L-Therm stainless-steel shower panel for wall mounting with single-lever thermostat DN 15 and hand shower fitting kit. For connection to hot and cold water. Function block with integrated mixing cartridge and mechanism for an optional water hygiene unit for automatic water hygiene flushing, program-controlled thermal disinfection (additional bypass solenoid-operated flush valve cartridge necessary) and storage of statistical data. Thermostatically-controlled mixer cartridge with expansion element and active scald protection as well as adjustable and turn-proof temperature stop, and ceramic disc technology. All-metal construction, visible parts high-polished, chrome-plated. Pre-fitted chrome-plated brass shower rail with height-adjustable hand shower holder and chrome-plated brass hand shower, shower head with rain jet, diameter 110 mm, shower hose 900 mm. Housing made of stainless steel with raised function surface and cover caps made of plastic. With adjustable and lockable connections with backflow preventer and strainers.

Dimensions of housing 235 x 1160 x 90 mm (W x H x D)

**F5LT2023** 2030066542

Optional accessories

Hygiene unit for F5L single lever mixer shower panel

**ACLM2003** 2030057065

Bypass solenoid valve cartridge, 6 V DC

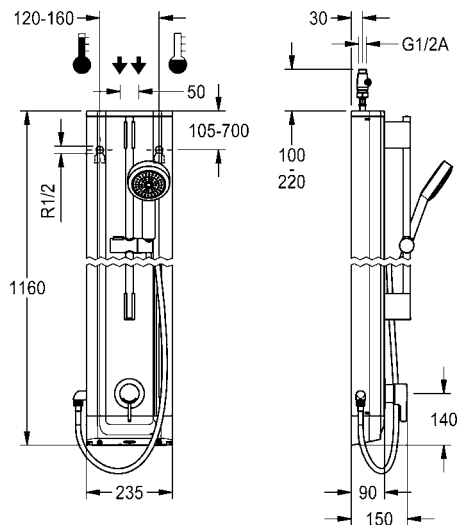
(in combination with hygiene unit)

**EAQFU0001** 2030003033

Shower gel dish for push-in installation on F5 shower panels made of stainless steel

**ACXX2021** 2030057077

Housing extensions, see page 199



Note:

When using the ACLM2003 hygiene unit, the battery compartment and battery (ZAQCT0003) or the power supply unit (ACEX9001) and extension cable (ACEX9010) must be ordered separately.

# F5 Panels with thermostatic single-lever mixer

Type

Article Number



## F5L-Therm MIRANIT shower panel

F5L-Therm shower panel made from mineral material for wall mounting with single-lever thermostat DN 15 and connecting nozzle for shower head. For connection to hot and cold water. Function block with integrated mixing cartridge and **pre-assembled hygiene unit** including sensor with control electronics to perform automatic water hygiene flushing, program-controlled thermal disinfection (additional bypass solenoid-operated flush valve cartridge necessary) and storage of statistical data. Thermostatically-controlled mixer cartridge with expansion element and active scald protection as well as adjustable and turn-proof temperature stop, and ceramic disc technology. All-metal construction, visible parts high-polished, chrome-plated. Connecting nozzles for separate required DN 15 KWC Professional shower head with pre-fitted flow regulator 9.0 l/min. Housing with raised function surface made of MIRANIT resin-bonded mineral material with pore-free smooth surface (temperature-resistant up to 80 °C), Alpine white colour. With adjustable and lockable connections with backflow preventer and strainers. Activated hygiene flushing, fixed interval of 24 hours. With option for parameterization and communication via optional, bidirectional remote control. Optional hygiene unit for battery operation with 6 V lithium battery (CR-P2) per fitting or separate power supply via plug-in power supply unit 6.75 V/12 V DC.

Housing dimensions 235 x 1160 x 100 mm (W x H x D)

Shower head and battery compartment including battery or power supply unit with extension cable must be ordered separately.



**F5LT2024**

2030066543

Necessary accessories (optionally)

AQUAJET-Slimline shower head for F5 shower panels

**SHAS0011** 2030054255

AQUAJET-Comfort shower head for F5 shower panels

**SHAC0011** 2030054254

MÜNCHEN shower head for F5 shower panels

**SHMU0011** 2030054793

Battery compartment including 6 V battery

**ZAQCT0003** 2000109466

Power supply unit

**ACEX9001** 2030039477

Extension cable 5 m (per tap)

**ACEX9010** 2030043814

Optional accessories

Bypass solenoid valve cartridge, 6 V DC

**EAQFU0001** 2030003033

Flow controller 6.0 l/min

**ESHHE0004** 2030027586

Flow controller 12.0 l/min

**ESHHE0002** 2000104783

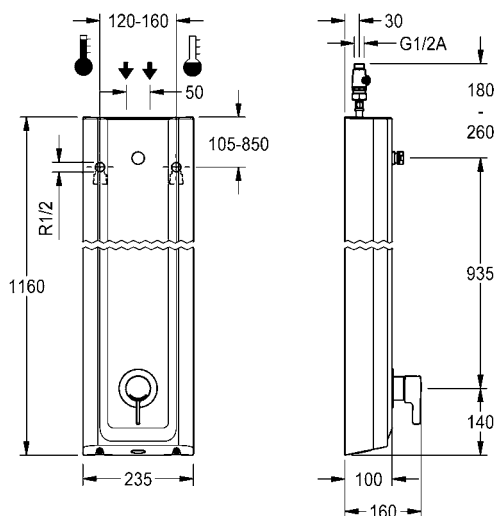
Housing extensions, bidirectional remote control, two-button remote control, see page 199 onwards



SHAS0011

SHAC0011

SHMU0011





### F5L-Therm MIRANIT shower panel

F5L-Therm shower panel made from mineral material for wall mounting with single-lever thermostat DN 15 and connecting nozzle for shower head. For connection to hot and cold water. Function block with integrated mixing cartridge and mechanism for an optional water hygiene unit for automatic water hygiene flushing, program-controlled thermal disinfection (additional bypass solenoid-operated flush valve cartridge necessary) and storage of statistical data. Thermostatically-controlled mixer cartridge with expansion element and active scald protection as well as adjustable and turn-proof temperature stop, and ceramic disc technology. All-metal construction, visible parts high-polished, chrome-plated. Connecting nozzles for separate required DN 15 KWC Professional shower head with pre-fitted flow regulator 9.0 l/min. Housing with raised function surface made of MIRANIT resin-bonded mineral material with pore-free smooth surface (temperature-resistant up to 80 °C), Alpine white colour. With adjustable and lockable connections with backflow preventer and strainers.

Housing dimensions 235 x 1160 x 100 mm (W x H x D)

Shower head must be ordered separately.

**F5LT2027** 2030066547

Necessary accessories (optionally)

AQUAJET-Slimline shower head for F5 shower panels

**SHAS0011** 2030054255

AQUAJET-Comfort shower head for F5 shower panels

**SHAC0011** 2030054254

MÜNCHEN shower head for F5 shower panels

**SHMU0011** 2030054793

Optional accessories

Hygiene unit for F5L single lever mixer shower panel

**ACLM2003** 2030057065

Bypass solenoid valve cartridge, 6 V DC

(in combination with hygiene unit)

**EAQFU0001** 2030003033

Flow controller 6.0 l/min

**ESHHE0004** 2030027586

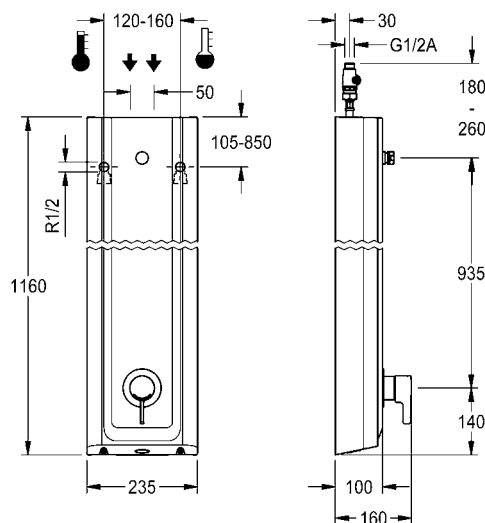
Flow controller 12.0 l/min

**ESHHE0002** 2000104783

Housing extensions, see page 199

Note:

When using the ACLM2003 hygiene unit, the battery compartment and battery (ZAQT0003) or the power supply unit (ACEX9001) and extension cable (ACEX9010) must be ordered separately.



# F5 Panels with thermostatic single-lever mixer

Type

Article Number



## F5L-Therm MIRANIT shower panel with shower gel shelf

F5L-Therm shower panel made from mineral material for wall mounting with single-lever thermostat DN 15 and connecting nozzle for shower head. For connection to hot and cold water. Function block with integrated mixing cartridge and **pre-assembled hygiene unit** including sensor with control electronics to perform automatic water hygiene flushing, program-controlled thermal disinfection (additional bypass solenoid-operated flush valve cartridge necessary) and storage of statistical data. Thermostatically-controlled mixer cartridge with expansion element and active scald protection as well as adjustable and turn-proof temperature stop, and ceramic disc technology. All-metal construction, visible parts high-polished, chrome-plated. Connecting nozzles for separate required DN 15 KWC Professional shower head with pre-fitted flow regulator 9.0 l/min. Housing with raised function surface and seamless moulded shower gel shelf made of MIRANIT resin-bonded mineral material with pore-free smooth surface (temperature-resistant up to 80 °C), Alpine white colour. With adjustable and lockable connections with backflow preventer and strainers. Activated hygiene flushing, fixed interval of 24 hours. With option for parameterization and communication via optional, bidirectional remote control. Optional hygiene unit for battery operation with 6 V lithium battery (CR-P2) per fitting or separate power supply via plug-in power supply unit 6.75 V/12 V DC.



Housing dimensions 235 x 1160 x 100 mm (W x H x D)

Shower head and battery compartment including battery or power supply unit with extension cable must be ordered separately.

**F5LT2026** 2030066546

Necessary accessories (optionally)

AQUAJET-Slimline shower head for F5 shower panels

**SHAS0011** 2030054255

AQUAJET-Comfort shower head for F5 shower panels

**SHAC0011** 2030054254

MÜNCHEN shower head for F5 shower panels

**SHMU0011** 2030054793

Battery compartment including 6 V battery

**ZAQT0003** 2000109466

Power supply unit

**ACEX9001** 2030039477

Extension cable 5 m (per tap)

**ACEX9010** 2030043814

Optional accessories

Bypass solenoid valve cartridge, 6 V DC

**EAQFU0001** 2030003033

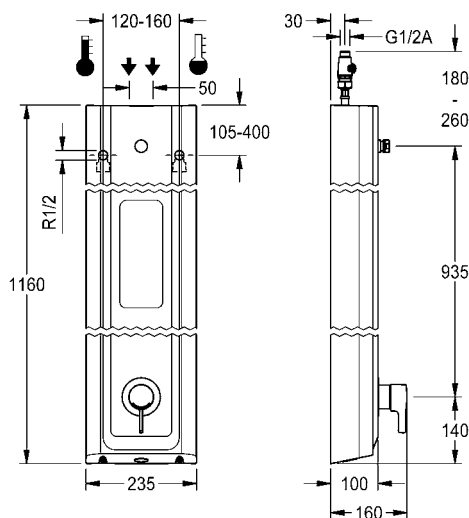
Flow controller 6.0 l/min

**ESHHE0004** 2030027586

Flow controller 12.0 l/min

**ESHHE0002** 2000104783

Housing extensions, bidirectional remote control, two-button remote control, see page 199 onwards





### F5L-Therm MIRANIT shower panel with shower gel shelf

F5L-Therm shower panel made from mineral material for wall mounting with single-lever thermostat DN 15 and connecting nozzle for shower head. For connection to hot and cold water. Function block with integrated mixing cartridge and mechanism for an optional water hygiene unit for automatic water hygiene flushing, program-controlled thermal disinfection (additional bypass solenoid-operated flush valve cartridge necessary) and storage of statistical data. Thermostatically-controlled mixer cartridge with expansion element and active scald protection as well as adjustable and turn-proof temperature stop, and ceramic disc technology. All-metal construction, visible parts high-polished, chrome-plated. Connecting nozzles for separate required DN 15 KWC Professional shower head with pre-fitted flow regulator 9.0 l/min. Housing with raised function surface and seamless moulded shower gel shelf made of MIRANIT resin-bonded mineral material with pore-free smooth surface (temperature-resistant up to 80 °C), Alpine white colour. With adjustable and lockable connections with backflow preventer and strainers.

Housing dimensions 235 x 1160 x 100 mm (W x H x D)

Shower head must be ordered separately.

**F5LT2029** 2030066549

Necessary accessories (optionally)

AQUAJET-Slimline shower head for F5 shower panels

**SHAS0011** 2030054255

AQUAJET-Comfort shower head for F5 shower panels

**SHAC0011** 2030054254

MÜNCHEN shower head for F5 shower panels

**SHMU0011** 2030054793

Optional accessories

Hygiene unit for F5L single lever mixer shower panel

**ACLM2003** 2030057065

Bypass solenoid valve cartridge, 6 V DC

(in combination with hygiene unit)

**EAQFU0001** 2030003033

Flow controller 6.0 l/min

**ESHHE0004** 2030027586

Flow controller 12.0 l/min

**ESHHE0002** 2000104783

Housing extensions, see page 199

Note:

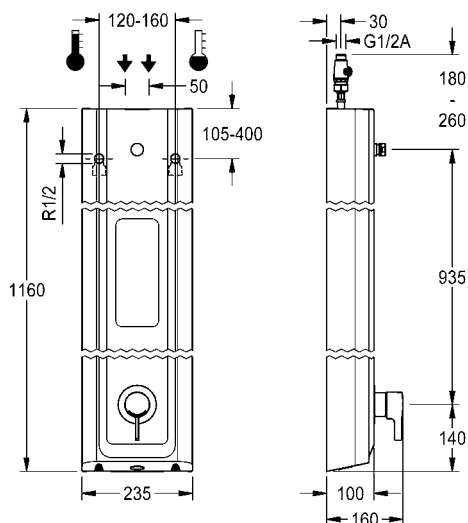
When using the ACLM2003 hygiene unit, the battery compartment and battery (ZAQT0003) or the power supply unit (ACEX9001) and extension cable (ACEX9010) must be ordered separately.



SHAS0011

SHAC0011

SHMU0011



# F5 Panels with thermostatic single-lever mixer

Type

Article Number



## F5L-Therm MIRANIT shower panel with hand shower fitting kit

F5L-Therm shower panel made from mineral material for wall mounting with single-lever thermostat DN 15 and hand shower fitting kit. For connection to hot and cold water. Function block with integrated mixing cartridge and **pre-assembled hygiene unit** including sensor with control electronics to perform automatic water hygiene flushing, program-controlled thermal disinfection (additional bypass solenoid-operated flush valve cartridge necessary) and storage of statistical data. Thermostatically-controlled mixer cartridge with expansion element and active scald protection as well as adjustable and turn-proof temperature stop, and ceramic disc technology. All-metal construction, visible parts high-polished, chrome-plated. Pre-fitted chrome-plated brass shower rail with height-adjustable hand shower holder and chrome-plated plastic hand shower, shower head with rain jet, diameter 110 mm, shower hose 900 mm. Housing with raised function surface made of MIRANIT resin-bonded mineral material with pore-free smooth surface (temperature-resistant up to 80 °C), Alpine white colour. With adjustable and lockable connections with backflow preventer and strainers. Activated hygiene flushing, fixed interval of 24 hours. With option for parameterization and communication via optional, bidirectional remote control. Optional hygiene unit for battery operation with 6 V lithium battery (CR-P2) per fitting or separate power supply via plug-in power supply unit 6.75 V/12 V DC.

Housing dimensions 235 x 1160 x 100 mm (W x H x D)

Battery compartment including battery or power supply unit with extension cable must be ordered separately.

**F5LT2025** 2030066544

Necessary accessories (optionally)

Battery compartment including 6 V battery  
**ZAQCT0003** 2000109466

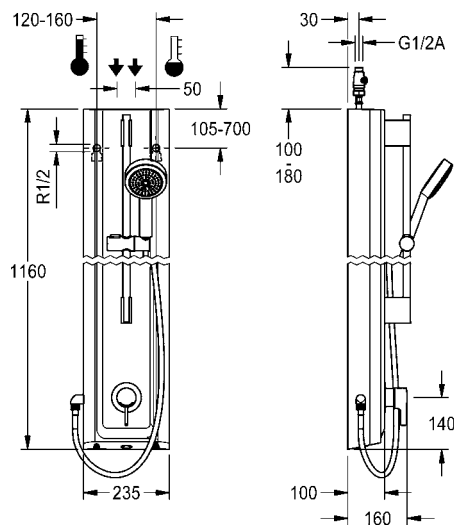
Power supply unit  
**ACEX9001** 2030039477

Extension cable 5 m (per tap)  
**ACEX9010** 2030043814

Optional accessories

Bypass solenoid valve cartridge, 6 V DC  
**EAQFU0001** 2030003033

Housing extensions, bidirectional remote control, two-button remote control, see page 199 onwards





### F5L-Therm MIRANIT shower panel with hand shower fitting kit

F5L-Therm shower panel made from mineral material for wall mounting with single-lever thermostat DN 15 and hand shower fitting kit. For connection to hot and cold water. Function block with integrated mixing cartridge and mechanism for an optional water hygiene unit for automatic water hygiene flushing, program-controlled thermal disinfection (additional bypass solenoid-operated flush valve cartridge necessary) and storage of statistical data. Thermostatically-controlled mixer cartridge with expansion element and active scald protection as well as adjustable and turn-proof temperature stop, and ceramic disc technology. All-metal construction, visible parts high-polished, chrome-plated. Pre-fitted chrome-plated brass shower rail with height-adjustable hand shower holder and chrome-plated plastic hand shower, shower head with rain jet, diameter 110 mm, shower hose 900 mm. Housing with raised function surface made of MIRANIT resin-bonded mineral material with pore-free smooth surface (temperature-resistant up to 80 °C), Alpine white colour. With adjustable and lockable connections with backflow preventer and strainers.

Dimensions of housing 235 x 1160 x 100 mm (W x H x D)

**F5LT2028**

2030066548

Optional accessories

Hygiene unit for F5L single lever mixer shower panel

**ACLM2003**

2030057065

Bypass solenoid valve cartridge, 6 V DC

(in combination with hygiene unit)

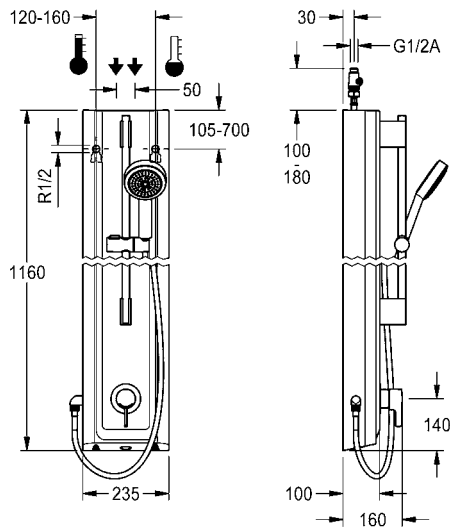
**EAQFU0001**

2030003033

Housing extensions, see page 199

Note:

When using the ACLM2003 hygiene unit, the battery compartment and battery (ZAQT0003) or the power supply unit (ACEX9001) and extension cable (ACEX9010) must be ordered separately.



## Coin-operated controllers, shower trays







### AQUAPAY coin-operated controller

AQUAPAY coin-operated controller for chargeable water delivery for controlling one A3000 open shower fitting. Shower duration for one token is selectable in steps of one second up to a total of 8 minutes, preset to 3 minutes. Automatic interruption of shower-duration when water is not being withdrawn. Rugged stainless steel housing for on-wall mounting with safety lock. Model for tokens, 24 V DC.

Dimensions 240 x 220 x 130 mm (W x H x D)

**AQUA800** 2000100340

For € 0.50

**AQUA801** 2000100342

Necessary accessories

Token for AQUAPAY coin-operated controller, packaging unit: 50 pieces

**ZAQRP001** 2000100751

Note:

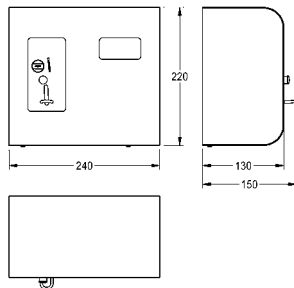
In combination with F5 taps, the following electronic module must be used instead of the EM5 electronic module (ACET2001 and ACEV2004) **Electronic module EM1 with ID 07080** and electronic T-distribution.

For integration in the AQUA 3000 open water management system in combination with a coin-operated contactor **for a shower fitting for connection to hot and cold water**, 24 V DC.

**ACET2006** 2030052502

**Electronic module EM1 with ID 07110** and electronic T-distribution. For integration in the AQUA 3000 open water management system in combination with a coin-operated contactor **for a shower fitting for connection to pre-mixed hot water or cold water**, 24 V DC.

**ACEV2005** 2030058735



### AQUAPAY coin-operated controller for max. 31 showers

AQUAPAY coin-operated controller for chargeable water delivery for controlling 2-31 A3000 open shower fittings. Display for user guide and showing free showers, selectable via key. Shower duration for one token is selectable in steps of one second up to a total of 8 minutes, preset to 3 minutes. Automatic interruption of shower-duration when water is not being withdrawn. Rugged stainless steel housing for on-wall mounting with safety lock. Model for tokens, 24 V DC.

Dimensions 240 x 220 x 130 mm (W x H x D)

**AQUA802** 2000100418

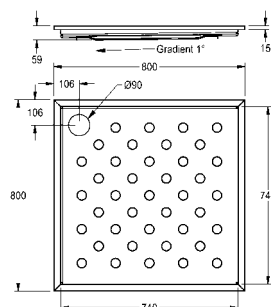
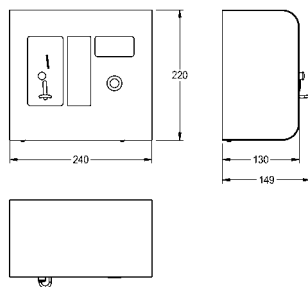
For € 0.50

**AQUA803** 2000100419

Necessary accessories

Token for AQUAPAY coin-operated controller, packaging unit: 50 pieces

**ZAQRP001** 2000100751



### CAMPUS Shower tray

CAMPUS shower tray, for flush mounting, stainless steel, satin-finished surface, material thickness 1.2 mm, welded corners, with anti-slip floor profile and slope towards waste, waste diameter 90 mm, earthing lug.

Dimensions 800 x 59 x 800 mm (W x H x D)

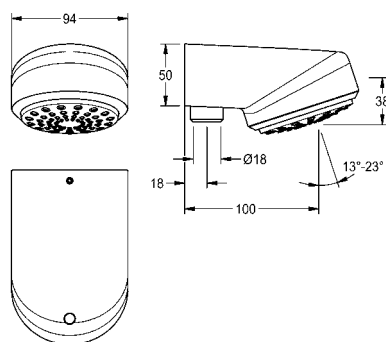
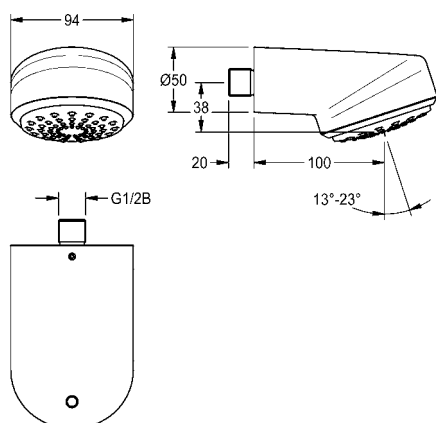
Shower tray waste needs to be ordered separately.

**CMPX401N** 2030068013

Dimensions 900 x 59 x 900 mm (W x H x D)

**CMPX404N** 2030068014

# Shower heads



Type	Article Number
------	----------------

## AQUAJET-Comfort shower head for wall connection

AQUAJET-Comfort DN 15 shower head with plastic jet face continuously adjustable between 13–23°, anti-limescale system and low aerosol formation. For wall connector with insertable connecting nozzle, diameter 26 mm, high-polished chrome-plated brass housing, with integrated flow regulator 9.0 l/min, ready for installation of anti-twist protection.

Also suitable for shower trays, 800 x 800 mm.

<b>SHAC0013</b>	2030055724
-----------------	------------

### Optional accessories

Flow controller 6.0 l/min

<b>ESHHE0004</b>	2030027586
------------------	------------

Flow controller 12.0 l/min

<b>ESHHE0002</b>	2000104783
------------------	------------

Anti-twist protection set

<b>ZAQUA004</b>	2000101108
-----------------	------------

Adhesive flange for shower heads DN 15, for in-wall installation

<b>ZAQUA701</b>	2000101467
-----------------	------------

Mounting bar for shower head installation in drywall

<b>ZCMPX005</b>	2000104310
-----------------	------------

## AQUAJET-Comfort shower head for surface pipe installation

AQUAJET-Comfort shower head DN 15 with infinitely angle-adjustable plastic jet face 13° - 23°, anti-calcification system and low aerosol formation. Model for surface pipe installation 18 mm and enclosed flow controllers 6.0 l/min, 9.0 l/min and 12.0 l/min. Housing polished chromium-plated brass. Also suitable for shower trays, 800 x 800 mm.

<b>SHAC0008</b>	2030021283
-----------------	------------

### Optional accessories

Shower pipe for wall mounting for connection to F5S self-closing shower fittings, polished, chrome-plated brass, with union nut.

Diameter 18 x 0.8 mm, length 1200 mm, crank 75 mm

<b>ACSX2002</b>	2030041522
-----------------	------------

Shower pipe for wall mounting for connection to F3S self-closing shower fittings, polished, chrome-plated brass, with union nut.

Diameter 18 x 0.8 mm, length 1200 mm, crank 39 mm

<b>ACSX2001</b>	2030039555
-----------------	------------

Shower pipe for wall mounting for connection to F5E-Therm electronic shower fittings and F5L-Mix lever mixer, polished, chrome-plated brass, with union nut. Diameter 18 x 0.8 mm, length 1200 mm, crank 96 mm

<b>ACXX2003</b>	2030041525
-----------------	------------

**AQUAJET-Slimline shower head for wall connection**

AQUAJET-Slimline shower head DN 15 with plastic jet face with anti-calcification system and low aerosol formation, for wall connection, polished chromium-plated brass. With flow controller 9.0 l/min.

**AQUA751** 2000065932

Optional accessories

Flow controller 6.0 l/min

**ESHHE0004** 2030027586

Flow controller 12.0 l/min

**ESHHE0002** 2000104783

Anti-twist protection set

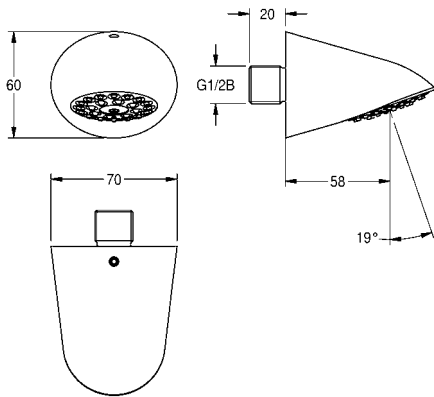
**ZAQUA004** 2000101108

Adhesive flange for shower heads DN 15, for in-wall installation

**ZAQUA701** 2000101467

Mounting bar for shower head installation in drywall

**ZCMPX005** 2000104310

**AQUAJET-Slimline shower head for surface pipe installation**

AQUAJET-Slimline shower head DN 15 with plastic jet face with anti-calcification system and low aerosol formation, for surface pipe mounting, polished chromium-plated brass. With flow controllers 9.0 l/min and 12.0 l/min.

**AQUA757** 2000103757

Optional accessories

Shower pipe for wall mounting for connection to F5S self-closing shower fittings, polished, chrome-plated brass, with union nut.

Diameter 18 x 0.8 mm, length 1200 mm, crank 75 mm

**ACSX2002** 2030041522

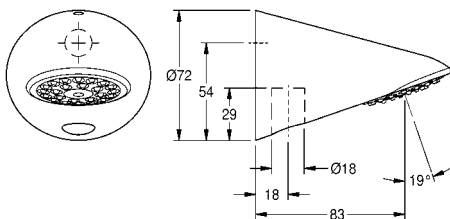
Shower pipe for wall mounting for connection to F3S self-closing shower fittings, polished, chrome-plated brass, with union nut.

Diameter 18 x 0.8 mm, length 1200 mm, crank 39 mm

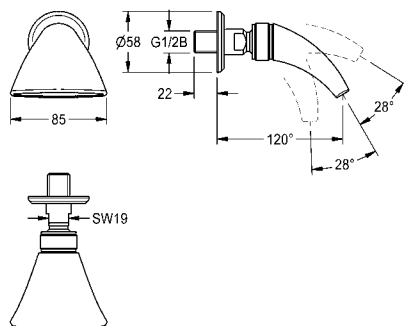
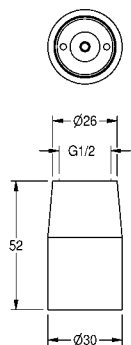
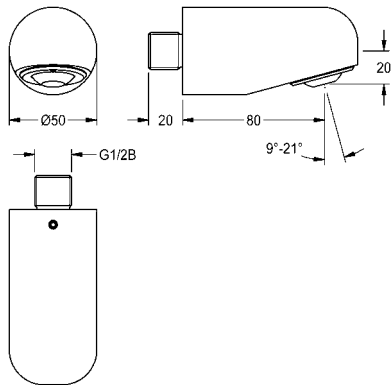
**ACSX2001** 2030039555

Shower pipe for wall mounting for connection to F5E-Therm electronic shower fittings and F5L-Mix lever mixer, polished, chrome-plated brass, with union nut. Diameter 18 x 0.8 mm, length 1200 mm, crank 96 mm

**ACXX2003** 2030041525



# Shower heads



Type	Article Number
------	----------------

## MÜNCHEN shower head for wall connection

MÜNCHEN DN 15 shower head with shower jet continuously adjustable between 9–21°, for wall connector with insertable connecting nozzle, diameter 26 mm. High-polished chrome-plated brass housing with integrated flow regulator 9.0 l/min.

**SHMU0012** 2030055723

Optional accessories

Flow controller 6.0 l/min

**ESHHE0004** 2030027586

Flow controller 12.0 l/min

**ESHHE0002** 2000104783

Adhesive flange for shower heads DN 15, for in-wall installation

**ZAQUA701** 2000101467

Mounting bar for shower head installation in drywall

**ZCMPX005** 2000104310

## Shower jet nozzle

Jet shower head DN 15, polished chromium-plated brass, connection G 1/2. With flow controller 9.0 l/min.

**AQRM706** 2000100899

With 12,0 l/min flow regulator

**AQRM707** 2000100900

Optional accessories

Wall arm with fixed wall flange, high-polished chrome-plated brass

**ZAQUA033** 2000100914

## Drench shower for wall mounting

Drench shower DN 15 with ball joint for wall mounting. With shower head, projection 120 mm and rosette. Adjustable spray angle 28°. Chromium-plated brass. Volume flow 61.8 l/min at 3 bar flow pressure

**SHHE0004** 2030034417

Type	Article Number
------	----------------



**Hand shower**

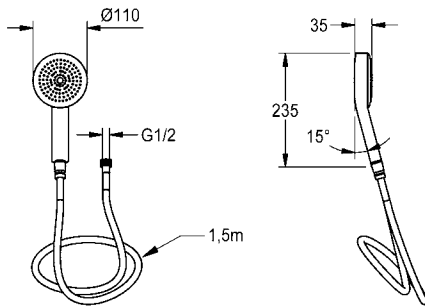
Hand shower made from chrome-plated plastic with rain jet, one jet type, diameter 110 mm, anti-scale system and low aerosol formation. Including nylon-reinforced, chrome-coloured shower hose. With twistable conical hand shower connection G 1/2 and knurled tap connection G 1/2, length 1500 mm.

<b>ACXX2007</b>	2030051216
-----------------	------------

Optional accessories

Shower bracket with shower holder

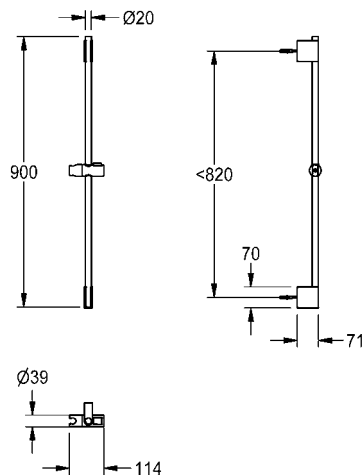
<b>ACXX2008</b>	2030051217
-----------------	------------



**Shower bracket**

Chrome-plated brass shower slider bar with two wall-mounted brackets. Adjustable shower holder with pushbutton operation, made from chrome-plated plastic. Length 900 mm, diameter 20 mm, including mounting material.

<b>ACXX2008</b>	2030051217
-----------------	------------



# Shower heads and accessories for F5 shower panels

Type

Article Number



## AQUAJET-Slimline shower head for F5 shower panels

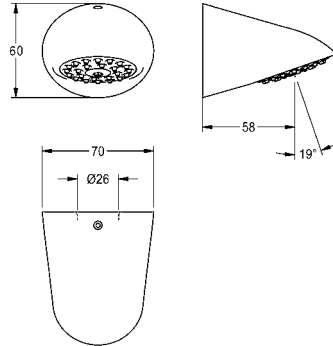
AQUAJET-Slimline shower head with plastic jet face with anti-limescale system and low aerosol formation. For installation on KWC Professional shower panels with DN 15 connecting nozzles, diameter 26 mm, high-polished chrome-plated brass.

SHAS0011

2030054255



for installation on F5 shower panels



## AQUAJET-Comfort shower head for F5 shower panels

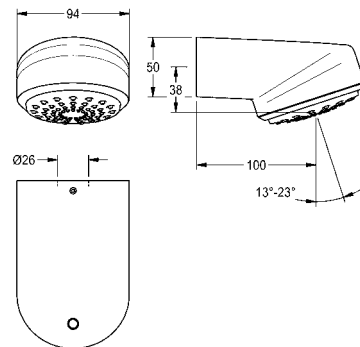
AQUAJET-Comfort shower head with plastic jet face continuously adjustable between 13–23°, anti-limescale system and low aerosol formation. For installation on KWC Professional shower panels with DN 15 connecting nozzles, diameter 26 mm, high-polished chrome-plated brass.

SHAC0011

2030054254



for installation on F5 shower panels



## MÜNCHEN shower head for F5 shower panels

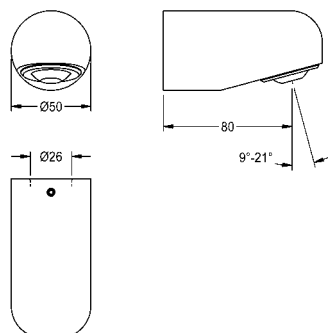
MÜNCHEN shower head with shower jet continuously adjustable between 9–21°, for installation on KWC Professional shower panels with DN 15 connecting nozzles, diameter 26 mm. High-polished chrome-plated brass housing.

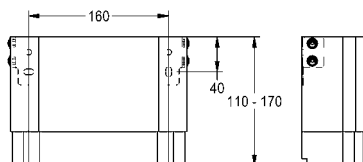
SHMU0011

2030054793



for installation on F5 shower panels





### Housing extension for F5 shower panels made of stainless steel

Housing extension made of stainless steel, height-adjustable, for F5 shower panels made of stainless steel, to cover wall-mounted pipe installations, includes mounting materials.

Housing dimensions approx. 200 x 110–170 mm (W x H)

**ACXX2011** 2030057066

Housing dimensions approx. 200 x 160–250 mm (W x H)

**ACXX2012** 2030057067

Housing dimensions approx. 200 x 240–410 mm (W x H)

**ACXX2013** 2030057068

Housing dimensions approx. 200 x 400–660 mm (W x H)

**ACXX2014** 2030057069

Housing dimensions approx. 200 x 650–960 mm (W x H)

**ACXX2015** 2030057070

### Shower gel dish for F5 shower panels made of stainless steel

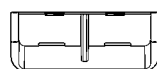
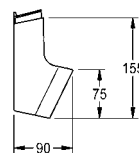
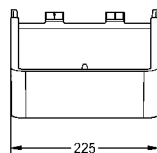
Shower gel dish made of plastic, for push-in installation on F5 shower panels made of stainless steel.

Dimensions 225 x 153 x 89 mm (W x H x D)

**ACXX2021** 2030057077



View of mounted shower gel dish



### Housing extension for F5 shower panels made of MIRANIT

Housing extension made of stainless steel, powder-coated Alpine white colour, height-adjustable, for F5 shower panels made of MIRANIT mineral material, to cover wall-mounted pipe installations, includes mounting material.

Housing dimensions approx. 200 x 110–170 mm (W x H)

**ACXX2016** 2030057071

Housing dimensions approx. 200 x 160–250 mm (W x H)

**ACXX2017** 2030057072

Housing dimensions approx. 200 x 240–410 mm (W x H)

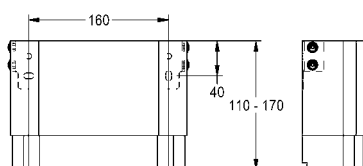
**ACXX2018** 2030057073

Housing dimensions approx. 200 x 400–660 mm (W x H)

**ACXX2019** 2030057075

Housing dimensions approx. 200 x 650–960 mm (W x H)

**ACXX2020** 2030057076



# Accessories

Type	Article Number
------	----------------

## Bent outlet

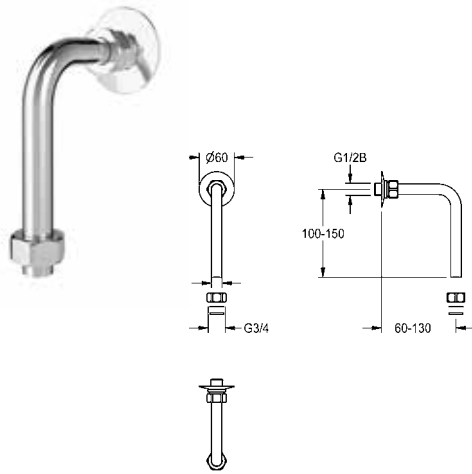
Bent outlet 120 x 150 mm, with reduction nipple G 1/2 B and 2 pinch union nuts G 3/4 x 18 mm. Chromium-plated brass.

Maximum mounting dimension 130 x 134 mm

**ACXX2005** 2030050434

Bent outlet 120 x 500 mm, maximum mounting dimension 130 x 484 mm

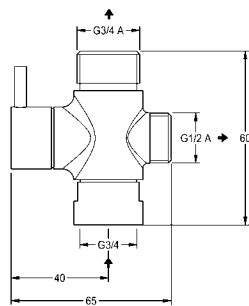
**ACXX2006** 2030050435



## Diverter for hand shower

Diverter for hand shower, for surface mounting, for switch between shower head and hand shower.

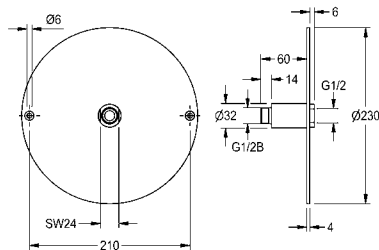
**ACXX2004** 2030041561



## Adhesive flange

Adhesive flange made of stainless steel for shower head installation.

**ZAQUA701** 2000101467





Type

Article Number

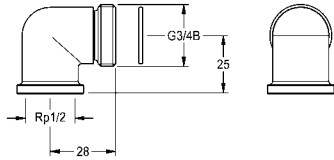


### Connection set for shower panel

Connection set for showerpanel for installed flush-mounting cabinet 195 x 215 mm, consisting of elbow 90°, G 1/2 x G 3/4 B and seal, packing unit 2 pieces.

ZSHOW0006

2000104916

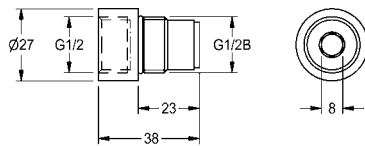


### Connection adapter

Connecting adapter for hose connection for shower panels with existing built-in shower valve DN 15.

AQRM928

2000101441



### PURETHERM - Thermostatic mixing unit

PURETHERM - thermostatically controlled mixing unit DN 15 for a constant temperature water supply of pre-mixed warm water, with connection unions, non-return valves and dirt strainers. Temperature selector for adjusting the temperature from 30 to 65 °C. Thermostat with expansion element (wax) and fastening made of brass, stainless steel springs, housing made of raw brass. Volume flow 38 l/min at a flow pressure of 3 bar (free outlet).

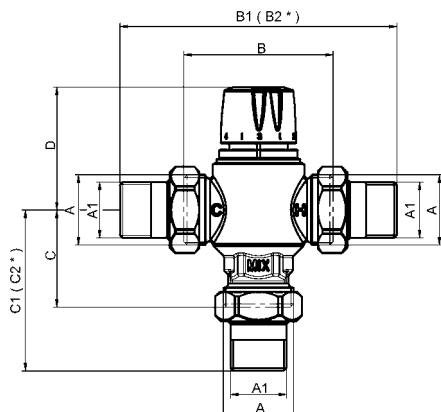
PURE0025 2000111051

DN 20, 49 l/min volume flow at 3 bar flow pressure (free outlet)

PURE0026 2000111052

DN 25, 84 l/min volume flow at 3 bar flow pressure (free outlet)

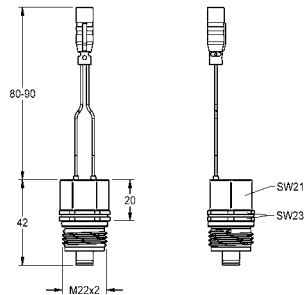
PURE0027 2000111053



DN	A	A1	B	B1	B2*	C	C1	C2*	D
15	G¾	G½	58	104	108	42	65	67	52
20	G1	G¾	66	126	125	45,5	75,5	75	54
25	G1 1/4	G1	89	165	165	58	96	96	73

# Accessories

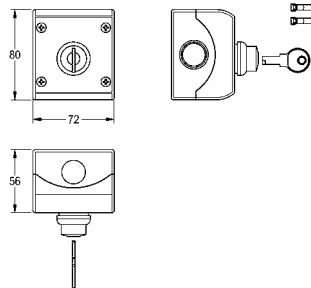
Type	Article Number
------	----------------



## Solenoid valve cartridge

Bypass solenoid valve cartridge with waterproof plug and grit filter as a retrofitting set for shower panel SMARTWAVE with AQUALINE-THERM self-closing thermostatic mixer, for performing thermal disinfections, 24 V DC.

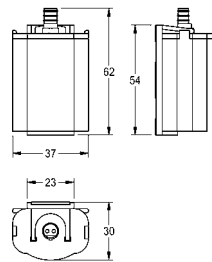
<b>ZCTRL0001</b>	2000111145
------------------	------------



## Key switch

Key switch, button for on-wall installation, lockable in both key positions, removable key. Maximum operating voltage 230 V AC.

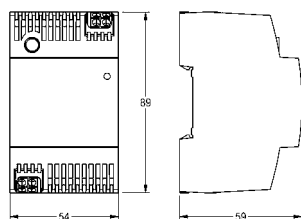
<b>ZAQUA022</b>	2000102675
-----------------	------------



## Battery compartment

Battery compartment complete with fixing holder and lithium battery 6 V DC.

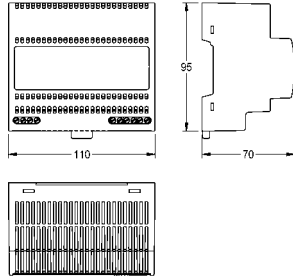
<b>ZAQCT0003</b>	2000109466
------------------	------------



## Power supply unit

Power supply unit for switching system installation (TS35) for power supply to AQUA 3000 open taps with a 100 m maximum cable length, 100 V AC-240 V AC/24 V DC, 60 W.

<b>ASEX1031</b>	2030068573
-----------------	------------

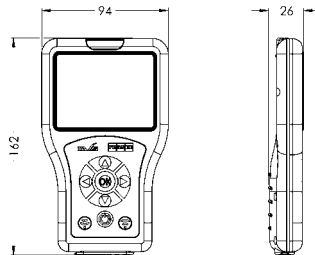


### Power supply unit

Mains unit, for central power supply, operating voltage 100-240 V AC, output voltage switchable between 7 V DC, 31.5 W or 12 V DC, 50 W.

**ACEX9001**

2030039477

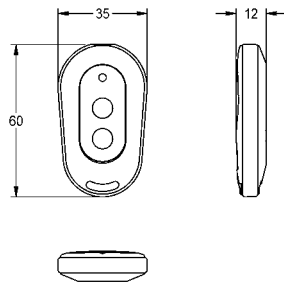


### Bidirectional remote control for electronical fittings F3 and F5

Bidirectional remote control for setting function parameters, storage fitting profiles und statistical datas for electronical fittings F3 and F5 as well as hygiene units. Parameter display on menu-driven color screen. With internal rechargeable battery, USB port for transfer of fitting specific statistical datas as CSV file to PC. With possibility to import firmware files. Including protective bag and USB connecting cable.

**ACEX9005**

2030036654

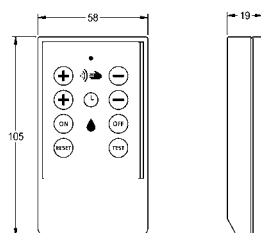


### 2-button remote control for fittings F3 and F5

2 buttons remote control for fittings F3 and F5 for activation cleaning switch-off for 1 minute and deactivation/activation of hygiene flush.

**ACEX9004**

2030036849



### Remote control

Remote control unit for taps and flush valves of the series PROTRONIC / -C / -S / -T, AQUACONTACT and AQUAFIT hygiene unit, for setting the function parameters.

**ZAQUA091**

2000101087





# AQUA 3000 open

## Water management system

The requirements made of sanitary facilities in highly frequented and safety-relevant areas are continuously increasing. The AQUA 3000 open water management system, which consists of taps and accessories, sets modern benchmarks with regard to system security, economy, user-friendliness and hygiene in sanitary facilities. Different control functions are made possible for washing, showering or flushing, such as a variety of statistics functions, simple parameterisation settings, time-controlled hygienic flushes and automatic thermal disinfections.

### AQUA 3000 open

Short description water management system	206
Tap overview	208
<b>KWC</b> AQUA 3000 open System accessories	210

# AQUA 3000 open Water management system

AQUA 3000 open can be integrated into any sanitary facility in the building network and connected to existing building management systems using various data protocols. The ECC2 function controller constitutes the transfer point to the building network, it communicates with the respective fitting via the electronic module.

The intelligent electronic module is at the heart of the system. The suitable electronic module from the accessory range is available for all A3000 opencompatible F5 basin taps and shower fittings. The electronic module is part of the product on all network-compatible shower panels and fittings for concealed mounting and flushing valves for WCs and urinals.

The factory programmed, „plug and play“ functionality of the electronic modules allow the fittings to be easily installed. Together with the electronic module, each fitting has application-specific programming for all of the important water supply functions which is independent of the higher-level control unit. Furthermore, a unique serial number provides the basis for additional control functions.

The intelligent fittings have the following functional programmes:

- ➔ Easy parameter settings
- ➔ Demand-optimised water supply functions
- ➔ Programme mode switching
- ➔ Peak-load optimisation
- ➔ Simultaneous-operation suppression
- ➔ Paid supply of water with AQUAPAY
- ➔ Safety switch-offs
- ➔ Deactivation of cleaning
- ➔ Statistical functions and temperature logs
- ➔ Automatic water hygiene flushing operations
- ➔ Thermal disinfection programmes



## **Sustainable**

A flexible, expandable and future-proof system that can be usefully integrated into the building management system.



## **Hygienic**

Regular water hygiene flushing operations and thermal disinfection programmes guarantee the high quality of the drinking water.



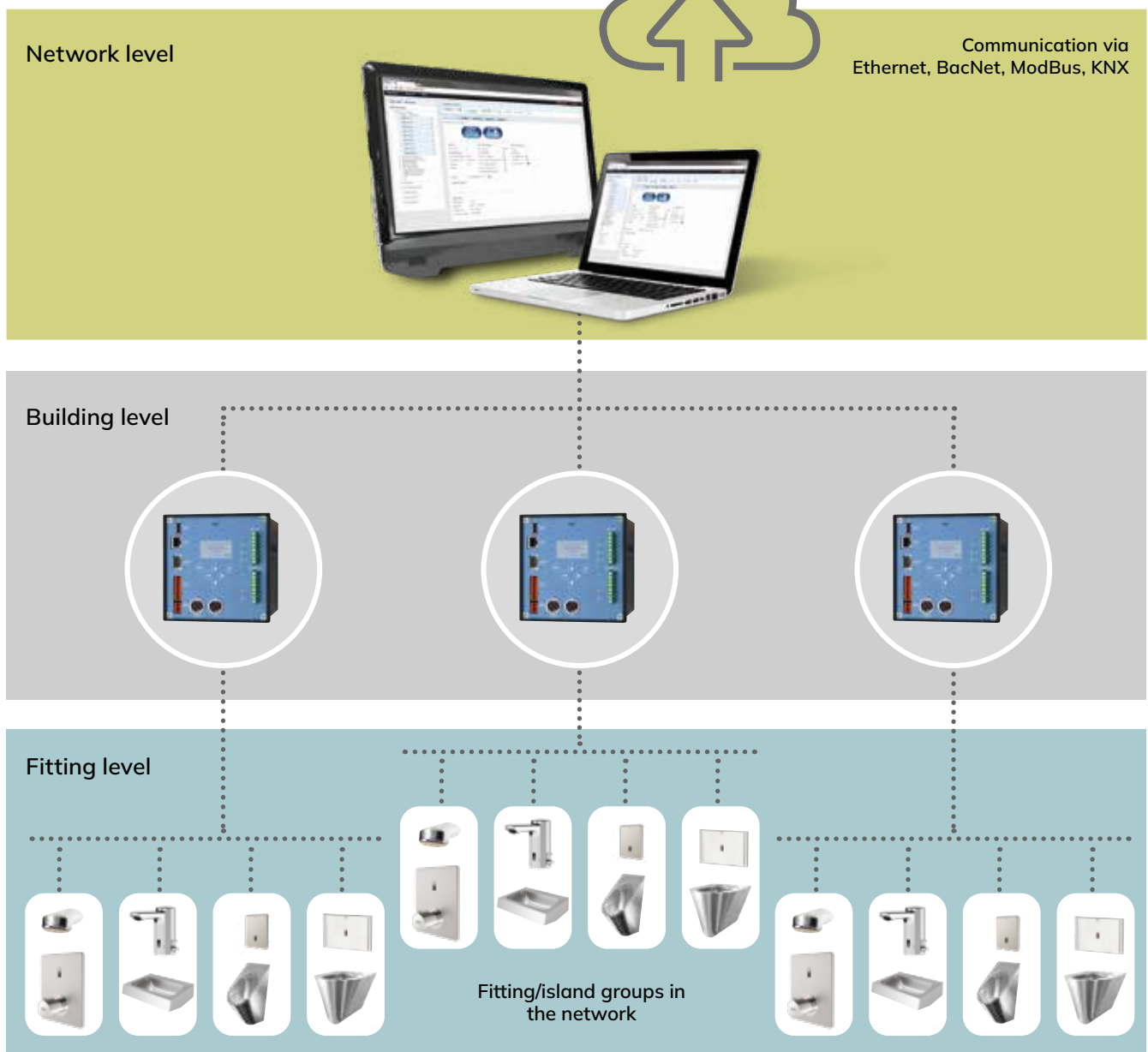
## **Economical**

The efficient and demand-optimised use of resources (water, energy, time) makes the sanitary system cost effective.

The AQUA 3000 open water management system is subdivided into a fitting building and network level. At the fitting level, an ECC2 function controller has a CAN island network with up to 32 fittings assigned to it. The ECC2 function controller at the building level serves as the transfer point to the network level.

For larger buildings, several ECC2-function controllers can be installed. The RJ45 ports \*) of the individual ECCs can be used to connect all of the fittings installed in a building to a single PC or to the computer-aided facility management system (CAFM), from which they can then be jointly managed and/or controlled.

\*) e.g. via KNX-IP | The membership as a certified manufacturer in the KNX Association exists since 2016.



AQUA 3000 open

# AQUA 3000 open Tap overview

## Wash basin taps

					
	F5EV1004	F5EM1004	F5ET1004 F5ET1005 F5ET1006 F5ET1019 F5ET1020 F5ET1021	F5ET1013 F5ET1014 F5ET1015	F5EV1013

## Shower panels | Shower taps | Coin-operated controllers

					
	F5ET2020	F5ET2021	F5ET2024	F5ET2026	F5ET2025

				
	F5ET2005 F5ET2009	F5ET2006 F5ET2010	F5EV2005	F5ET2031

			
	F5ET2040	AQUA800 AQUA801	AQUA802 AQUA803

The detailed descriptions of taps can be found in the corresponding chapters. Please use the type index as search help.




## Flush valves urinal | WC


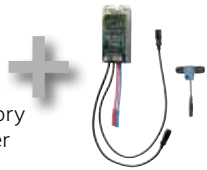


## WC washbasin combinations



The complete AQUA 3000 open system accessories can be found on the following pages.

	<p><b>AQUA 3000 open</b>                      All fittings with this symbol are already network-compatible, since the necessary electronic module is included with the product.</p>
---	---

	<p><b>AQUA 3000 open-compatible</b>                      All fittings with this symbol can be integrated into the AQUA 3000 open water management system with the suitable electronic module from the accessory range. As standalone fittings, they also offer many hygiene and statistical functions.</p>	
---	--	---

The detailed descriptions of taps can be found in the corresponding chapters. Please use the type index as search help.

# AQUA 3000 open System accessories

Type

Article Number



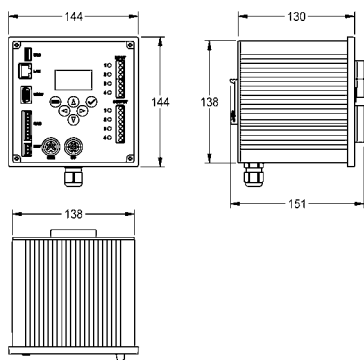
## ECC2 function controller

ECC2 function controller - A3000 open with Ethernet and CAN bus connection for the fittings level and with integrated power supply, real-time clock with calendar function and WEB server. For connecting 32 AQUA 3000 open fittings/electronic system modules or up to 200 m cable length for the purpose of supplying power and external control, e.g. for adjusting fittings and for communication, 230 V AC / 24 V DC.

**ZA3OP0011** 2000108123

Version including BacNet-IP, KNX-IP and ModBus-TCP GLT-data protocols

**ZA3OP0022** 2030016282

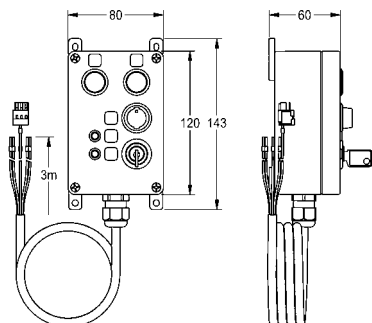


## Operation box for ECC2 function controller

Operation box for digital inputs and outputs on the ECC2 function controller. Activation and display using buttons, switches and LEDs. Plastic housing for surface installation, with connection cable and keys, 24 V DC.

Housing dimensions 80 x 120 x 55 mm (W x H x D)

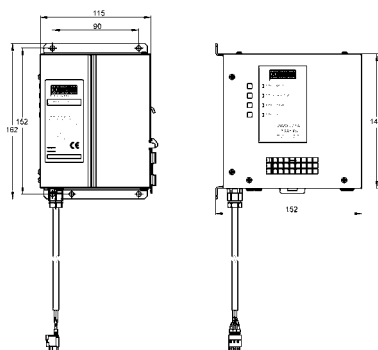
**ZA3OP0034** 2030068513



## Uninterruptible power supply

Uninterruptible power supply - A3000 open for connection to ECC function controller, 24 V DC / 3.2 Ah.

**ZAQUA006** 2000100977





### Power supply unit

Power supply - A3000 open in waterproof housing for supplying power to AQUA 3000 open fittings with up to 100 m cable length, 230 V AC / 24 V DC, 12 W. For wall mounting.

**ZAQUA007** 2000100375

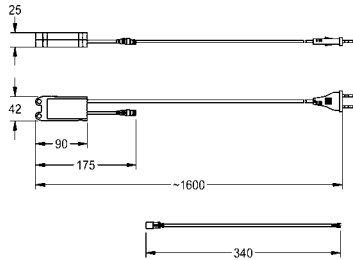
#### Optional accessories

Connection cable, Y-form, for dual power supply of A3000 open taps in connection with compact system power supply unit, 24 V DC

**ZA30P0027** 2030030081

Extension cable for electronic modules when the electrical T-junction is installed outside the flush-mounting cabinet, length 5 m

**ZAQUA073** 2000101055



### System cable

System cable - A3000 open for connecting AQUA 3000 open fittings/system electronic modules. For providing power and communication, 24 V DC. Length 100 m. To be laid in protective ducting. Important note! Each power supply unit can be connected with up to 200 m cable length and up to 32 fittings/system electronic modules.

**ZAQUA077** 2000100801

System cable, length 25 m/ring

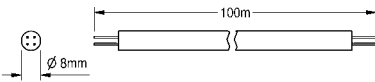
**ZAQUA078** 2000100852

Zero halogen version, length 25 m/ring

**ZAQUA012** 2000104274

Zero halogen version, length 100 m/ring

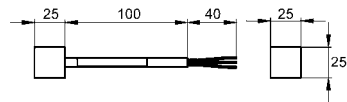
**ZAQUA011** 2000104272



### Terminating resistor

Terminating resistor – A3000 open for bilaterally terminating the system cable to ensure proper data communication. Consisting of a terminating resistor for connecting to the electric T-junction of the last fitting.

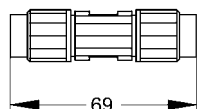
**ZAQUA014** 2000100847



### Coupling for system cable

Coupling for system cable - A3000 open, packaging unit with 5 pieces.

**ZAQUA013** 2000100857



# AQUA 3000 open System accessories

Type	Article Number
------	----------------



## Electrical T junction

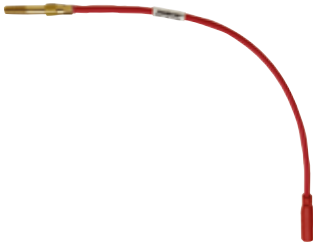
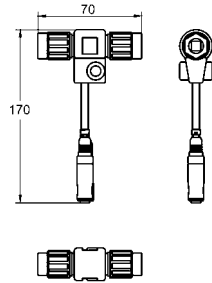
Electronic T-distribution with protection cap, for connecting electronic module and system cable - A3000 open.

<b>ZAQUA075</b>	2000100853
-----------------	------------

Optional accessories

Extension cable for electronic modules when the electrical T-junction is installed outside the flush-mounting cabinet, length 5 m

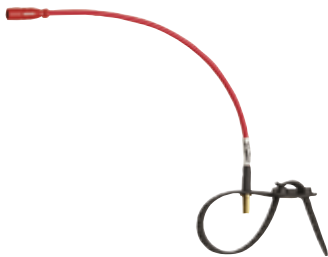
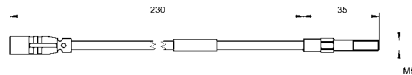
<b>ZAQUA073</b>	2000101055
-----------------	------------



## Screw-in temperature sensor

Screw-in temperature sensor for application with A3000 open thermostat fittings with function block for recording temperatures with PT1000 measuring element, for monitored thermal disinfection at the discharge fitting.

<b>ZAQUA017</b>	2000100972
-----------------	------------



## Temperature sensor insert

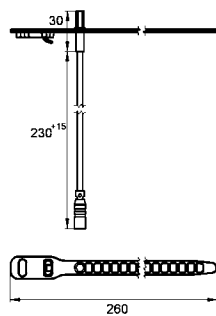
Hexagon temperature sensor for application with A3000 open fittings, for recording temperatures with PT1000 measuring element.

For hot-water side

<b>ZAQUA018</b>	2000100973
-----------------	------------

Version for cold-water side

<b>ZAQUA019</b>	2000100974
-----------------	------------



## Surface temperature sensor

Contact temperature sensor for application with A3000 open fittings, for recording temperatures with PT1000 measuring element.

For hot-water pipe

<b>ZAQUA020</b>	2000100975
-----------------	------------

Version for cold water pipe

<b>ZAQUA021</b>	2000100976
-----------------	------------





### Electronic module for washbasin taps F5

Electronic module EM5 with ID 02010 and electronic T-distribution. For connection in water management system AQUA 3000 open, 24 V DC.

**ACEX1002** 2030041520

Electronic module EM5 with ID 02010, with flush box, for F5EV1004/1008 and F5EM1004/1010

**ACEX1004** 2030059118

Electronic module EM5 with ID 02050 for F5ET1004/1005/1006 and F5ET1019/1020/1021

**ACET1001** 2030041914

Electronic module EM5 with ID 02020 for F5ET1013

**ACET1002** 2030041915

Electronic module EM5 with ID 02030 for F5ET1014

**ACET1003** 2030041916

Electronic module EM5 with ID 02040 for F5ET1015

**ACET1004** 2030041917

Electronic module EM5 with ID 02090 for F5EV1013

**ACEV1002** 2030065092

Optional accessories

Extension cable for sensor, 1 m

**ACEX9006** 2030041919

Extension cable for sensor, 2 m

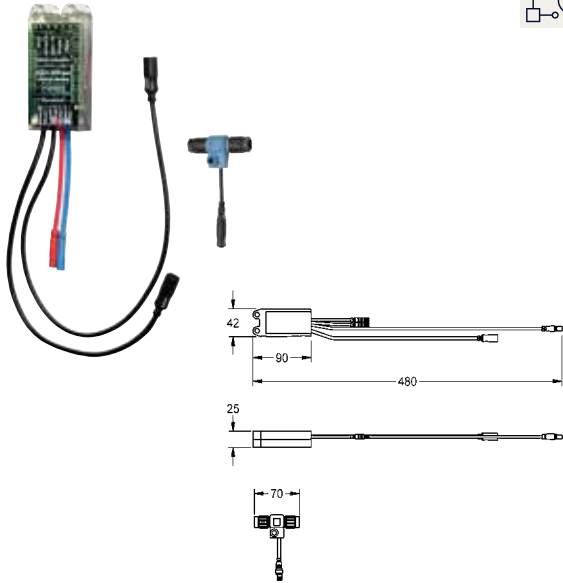
**ACEX9007** 2030041920

Extension cable for sensor, 3 m

**ACEX9013** 2030056669

Extension cable for electronic modules when the electrical T-junction is installed outside the flush-mounting cabinet, length 5 m

**ZAQUA073** 2000101055



### Electronic module EM5 for F5 shower taps

Electronic module EM5 with ID 07040 and electronic T-distribution. For connection in water management system AQUA 3000 open, 24 V DC.

**ACET2001** 2030041918

Optional accessories

Extension cable for sensor, 1 m

**ACEX9006** 2030041919

Extension cable for sensor, 2 m

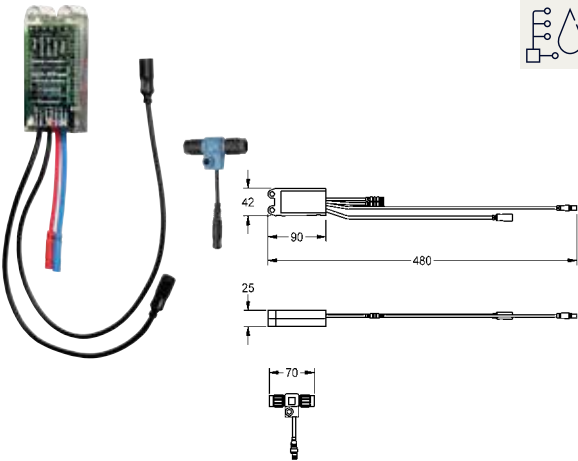
**ACEX9007** 2030041920

Extension cable for sensor, 3 m

**ACEX9013** 2030056669

Extension cable for electronic modules when the electrical T-junction is installed outside the flush-mounting cabinet, length 5 m

**ZAQUA073** 2000101055



### Electronic module for F5 urinal flush valve

Electronic module EM5 with ID 09010 and electronic T-distribution. For connection in water management system AQUA 3000 open, 24 V DC.

**ACEF3001** 2030056786

Optional accessories

Extension cable for sensor, 1 m

**ACEX9006** 2030041919

Extension cable for sensor, 2 m

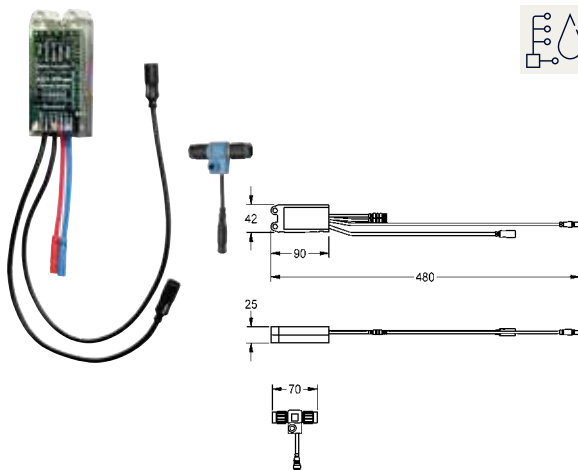
**ACEX9007** 2030041920

Extension cable for sensor, 3 m

**ACEX9013** 2030056669

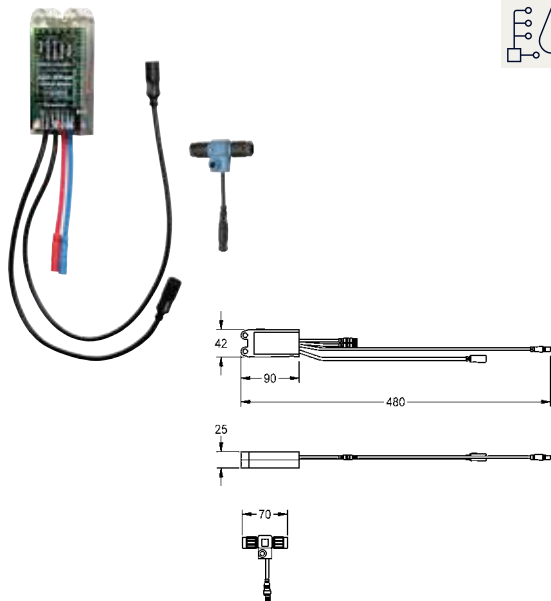
Extension cable for electronic modules when the electrical T-junction is installed outside the flush-mounting cabinet, length 5 m

**ZAQUA073** 2000101055



# AQUA 3000 open System accessories

Type	Article Number
------	----------------



## Electronic module for F5 WC flushing valve

Electronic module EM5 with ID 13020 and electronic T-distribution. For connection in water management system AQUA 3000 open, 24 V DC.

<b>ACEF4003</b>	2030067649
-----------------	------------

### Optional accessories

Extension cable for sensor, 1 m

<b>ACEX9006</b>	2030041919
-----------------	------------

Extension cable for sensor, 2 m

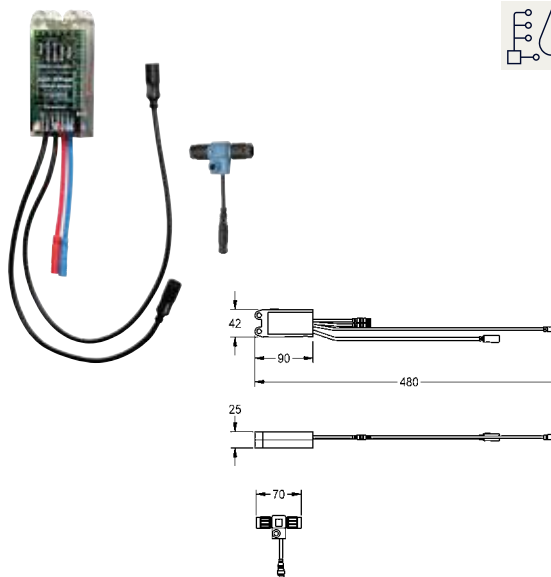
<b>ACEX9007</b>	2030041920
-----------------	------------

Extension cable for sensor, 3 m

<b>ACEX9013</b>	2030056669
-----------------	------------

Extension cable for electronic modules when the electrical T-junction is installed outside the flush-mounting cabinet, length 5 m

<b>ZAQUA073</b>	2000101055
-----------------	------------



## Electronic module for F5 hybrid kitchen fitting

Electronic module EM5 with ID 02160 and electronic T-distribution. For connection in water management system AQUA 3000 open, 24 V DC.

<b>ACEM1001</b>	3600000504
-----------------	------------

Electronic module EM5 with ID 02160, with flush box

<b>ACEM1002</b>	3600000505
-----------------	------------

### Optional accessories

Extension cable for sensor, 1 m

<b>ACEX9006</b>	2030041919
-----------------	------------

Extension cable for sensor, 2 m

<b>ACEX9007</b>	2030041920
-----------------	------------

Extension cable for sensor, 3 m

<b>ACEX9013</b>	2030056669
-----------------	------------

Extension cable for electronic modules when the electrical T-junction is installed outside the flush-mounting cabinet, length 5 m

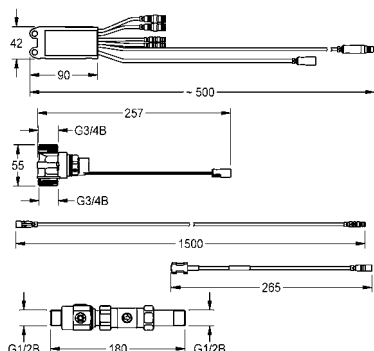
<b>ZAQUA073</b>	2000101055
-----------------	------------

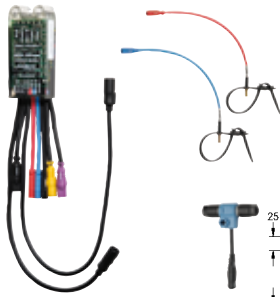


## Electronic module for flushing the system

Electronic module A3000 open for flushing the system with cold water (hygiene flushing) and hot water (thermal disinfection) via ECC function controller. In combination design for concealed installation, 24 V DC.

<b>ZAQUA029</b>	2000101182
-----------------	------------





### Electronic module for circulation line

Electronic module - A3000 open for circulation line. For ensuring thermal treatment of the circulation line. Service software can be used to enter time and temperature parameters for specific building requirements.

**ZAQUA030**

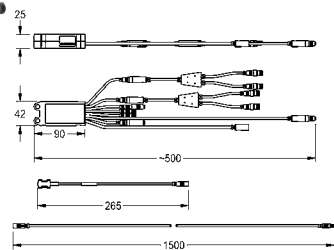
2000101183

Optional accessories

Solenoid valve – A3000 open for combination with electronic module for circulation line

**ZAQUA032**

2000101328

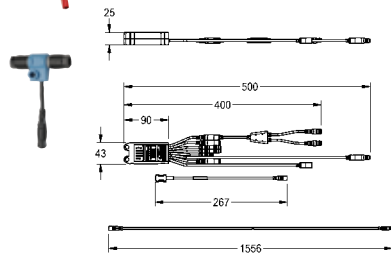


### Electronic module for drinking water heater

Electronic module - A3000 open, for drinking water heater. For ensuring thermal treatment of pipeline systems and fittings. For controlling the drinking-water heater to increase the storage temperature during thermal treatments. Including electronic T-junction and a clip-on temperature sensor with 1.5 m extension cable, 24 V DC.

**ZAQUA031**

2000101509

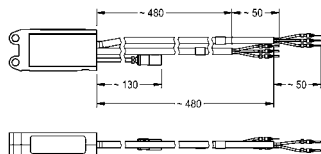


### Circuit breaker

Power switch - A3000 open, for electronic module. Facilitates switching external loads, e.g. fans. With 2 switched outputs for controlling 2 separate devices, with maximum power rating 10 A - 230 V AC.

**ZAQUA026**

2000101173









# Flush valves for urinals and WCs

Sanitary products must be able to withstand the harshest of requirements in public-access WC facilities. An extremely high user frequency, coupled with constantly changing users, leads to special challenges in this area. Reliable flushing valves or the latest in flushing systems such as automatically controlled electronic fittings should be used in these generally problematic scopes of application.

## Flush valves for urinals and WCs

<b>KWC</b> Urinal flush valves, electronic fittings	218
<b>KWC</b> Electronic urinal control	220
<b>KWC</b> WC flush valves, electronic fittings	222
<b>KWC</b> Flushing plates for WC cisterns	224
<b>KWC</b> Accessories	226

# Urinal flush valves, electronic fittings

Type	Article Number
------	----------------

## AQUALINE urinal flush valve

AQUALINE urinal flush valve DN 15 for surface installation, flushing quantity and volume flow adjustable, with lockable water quantity regulator, inlet pipe and connector, polished chromium-plated brass, push cap and screw fitting in chromium-plated plastic.

<b>AQRM460</b>	2000065995
----------------	------------

All-metal construction

<b>AQRM464</b>	2000100071
----------------	------------

Optional accessories

Flushing pipe, elbowed offset 35 mm

<b>AQRM913</b>	2000101435
----------------	------------

Flushing pipe extension, length 350 mm, straight

<b>AQRM914</b>	2000101436
----------------	------------

Flushing pipe extension, length 350 mm, crank 25 mm

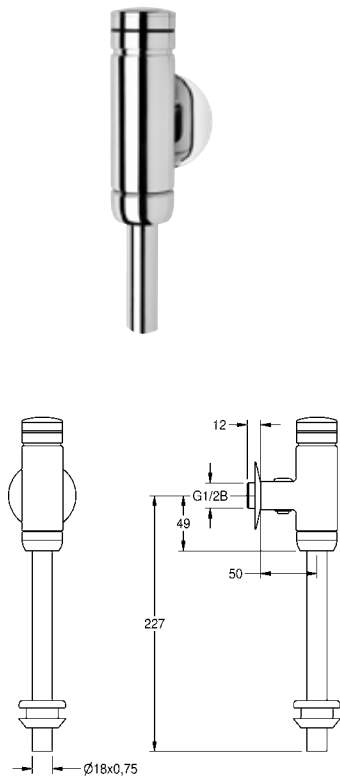
<b>AQRM916</b>	2000101438
----------------	------------

Flushing pipe extension, length 350 mm, crank 30 mm

<b>AQRM917</b>	2000101439
----------------	------------

Flushing pipe extension, length 350 mm, crank 35 mm

<b>AQRM918</b>	2000101440
----------------	------------



**NEW**

## F3E electronic urinal flush valve for wall mounting

F3E urinal flush valve DN 15 for wall mounting, opto-electronically controlled. Control electronics, solenoid valve cartridge, 6 V lithium battery (CR-P2) and sensor in all-metal housing, polished chromium-plated brass. With lockable water volume regulation, urinal connector, flushing pipe and rosette. Activated water hygiene flushing 24 hours after last activation, safety switch-off for continuous reflexion and saving of statistical data. With option for parametrisation and communication via optional, bidirectional remote control.

<b>F3EF3001</b>	2030072417
-----------------	------------

**Available from April 2023**

Optional accessories

Flushing pipe, elbowed offset 35 mm

<b>AQRM913</b>	2000101435
----------------	------------

Flushing pipe extension, length 350 mm, straight

<b>AQRM914</b>	2000101436
----------------	------------

Flushing pipe extension, length 350 mm, crank 25 mm

<b>AQRM916</b>	2000101438
----------------	------------

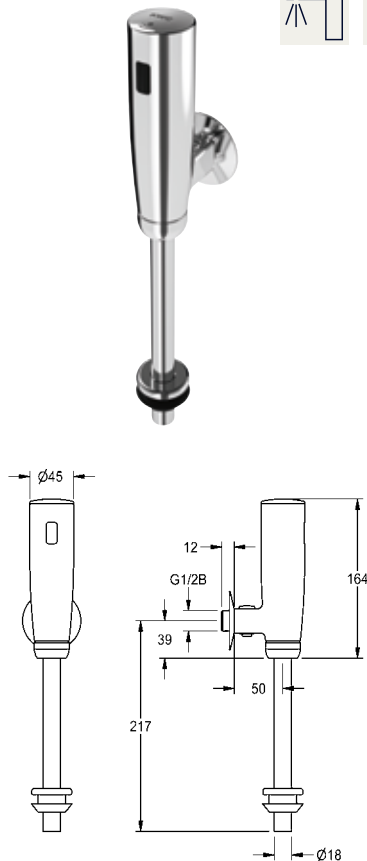
Flushing pipe extension, length 350 mm, crank 30 mm

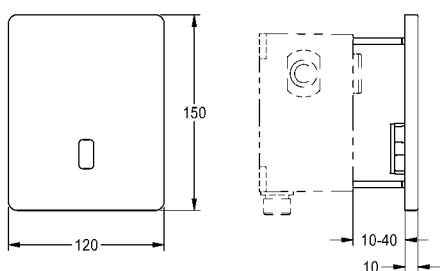
<b>AQRM917</b>	2000101439
----------------	------------

Flushing pipe extension, length 350 mm, crank 35 mm

<b>AQRM918</b>	2000101440
----------------	------------

Bidirectional remote control, two-button remote control, see page 226





### F5E electronic urinal flush valve for in-wall installation

F5E urinal flush valve DN 15 and installation kit for in-wall installation with basic installation kit, opto-electronically controlled. With self-closing solenoid valve cartridge, holding frame, stainless steel cover plate 120 x 150 mm with covered screw fixing including sensor with control electronics and strainer. Activated water hygiene flushing 24 hours after last activation and saving of statistical data. With option for parametrization and communication via optional, bidirectional remote control. Option for battery operation with 6 V lithium battery (CR-P2) per fitting or separate power supply via power supply unit 6.75 V/12 V DC or AQUA 3000 open system accessories.

Battery compartment including battery or power supply unit with extension cable must be ordered separately.

**F5EF3010** 2030067743

Necessary accessories (optionally)

Basic installation kit

**AQLN0006** 2000107414

Installation frame for stainless steel urinals with flush valve for in-wall installation

**AQFX0002** 2000110549

Installation frame for ceramic urinals, with urinal flush valve for in-wall installation

**AQFX0001** 2030020123

Battery compartment including 6 V battery

**ZAQCT0003** 2000109466

Power supply unit

**ACEX9001** 2030039477

Power supply for installation in the wall with connecting cable 1 m

**ACEX9003** 2030039825

Extension cable 5 m (per tap)

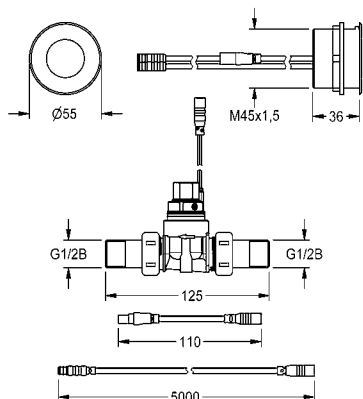
**ACEX9010** 2030043814

Optional accessories

Electronic module EM5 with ID 09010

**ACEF3001** 2030056786

Bidirectional remote control, two-button remote control, see page 226  
AQUA 3000 open system accessories, see "AQUA 3000 open" section



### F5E urinal flush valve for concealed mounting

F5E Urinal flush valve DN 15 for concealed mounting, opto-electronic control. With round sensor (diameter 55 mm), with integrated control electronics and deactivation of cleaning, high-polished chrome-plated brass, to be screwed in from rear, with anti-twist protection, solenoid valve with screw fixings G 1/2 B, extension cable for solenoid valve length 5 m. Activated water hygiene flushing 24 hours after last activation and saving of statistical data. With option for parameterization and communication via optional, bidirectional remote control. Optional for battery operation with 6 V lithium battery (CR-P2) per fitting or separate power supply via power supply unit 6.75 V/12 V DC or AQUA 3000 open system accessories.

Battery compartment including battery or power supply unit with extension cable must be ordered separately.

**F5EF3002** 2030062317

Necessary accessories (optionally)

Battery compartment including 6 V battery

**ZAQCT0003** 2000109466

Power supply unit

**ACEX9001** 2030039477

Extension cable 5 m (per tap)

**ACEX9010** 2030043814

Optional accessories

Electronic module EM5 with ID 09010

**ACEF3001** 2030056786

Stainless steel cover, round, diameter 136 mm, for sensor support

**ZAQUA084** 2000101054

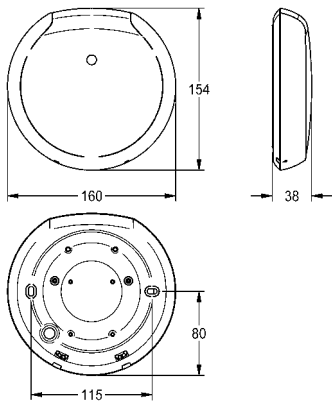
Bidirectional remote control, two-button remote control, see page 226  
AQUA 3000 open system accessories, see "AQUA 3000 open" section

Overview and meaning of the symbols see page 12-13



## F5 smart urinal sensor

F5 smart urinal sensor for overhead installation for central flushing of urinal systems in a room. Control module designed with white plastic housing, for multiple simultaneous user detection and touch-free triggering of flushing programmes for connected F5 smart urinal units via wireless communication. Option to connect up to 20 F5 smart urinal units. The area covered by the sensors is dependent on the ceiling height. Activated, washing area-dependent hygiene flushing 24 hours after last activation and saving of statistical data. Commissioning and flushing programme selection and parametrisation for each smart urinal unit via the necessary app, installed on Bluetooth®-enabled mobile devices from Android 7 or iOS 11.



Connection voltage 110–240 V AC, 50/60 Hz  
 Protection class IP20  
 Area covered 5 x 2.5 m at ceiling height 3 m  
 Housing dimensions 160 x 35 mm (D x H)

<b>F5EF3008</b>	2030067530
-----------------	------------

Black plastic housing

<b>F5EF3009</b>	2030067531
-----------------	------------

Necessary accessories (optionally)

F5 smart urinal unit for single ceramic urinals

<b>ACEF3002</b>	2030067532
-----------------	------------

F5 smart urinal unit for single urinal made of stainless steel

<b>ACEF3003</b>	2030070859
-----------------	------------

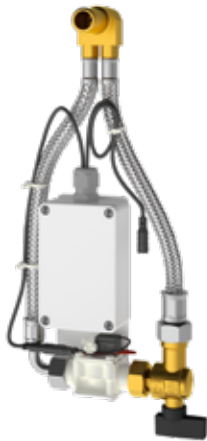
F5 smart urinal unit for row urinals made of stainless steel

<b>ACEF3004</b>	2030072412
-----------------	------------



## F5 smart urinal unit for single ceramic urinals

F5 smart urinal unit for installation behind single urinals made of ceramic. Water path pre-assembled with inlet connector, hoses, locking and solenoid valve. Control unit in sealed plastic box for wireless communication with the F5 smart urinal sensor. Either for battery operation with 6 V lithium battery (CR-P2) per control unit or separate power supply via power supply unit 6.75 V/12 V DC.



Battery compartment including battery or power supply unit with extension cable must be ordered separately.

You can find an overview of suitable ceramic urinals in the product information on our website.

<b>ACEF3002</b>	2030067532
-----------------	------------

Necessary accessories (optionally)

Battery compartment including 6 V battery

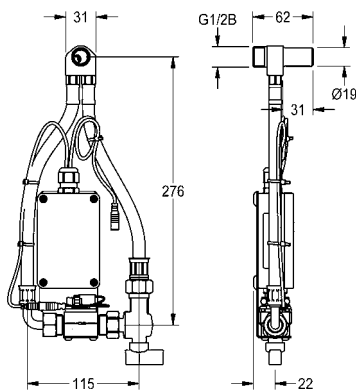
<b>ZAQCT0003</b>	2000109466
------------------	------------

Power supply unit

<b>ACEX9001</b>	2030039477
-----------------	------------

Extension cable 5 m (per smart urinal unit)

<b>ACEX9010</b>	2030043814
-----------------	------------



**NEW****F5 smart urinal unit for single urinal made of stainless steel**

F5 smart urinal unit for installation behind a single urinal made of stainless steel CMPX539. Water path pre-assembled with hose for water connection, locking and solenoid valve. Control unit in sealed plastic box for wireless communication with the F5 smart urinal sensor. Either for battery operation with 6 V lithium battery (CR-P2) per control unit or separate power supply via power supply unit 6.75 V/12 V DC.

Battery compartment including battery or power supply unit with extension cable must be ordered separately.

**ACEF3003** 2030070859

Necessary accessories (optionally)

Battery compartment including 6 V battery

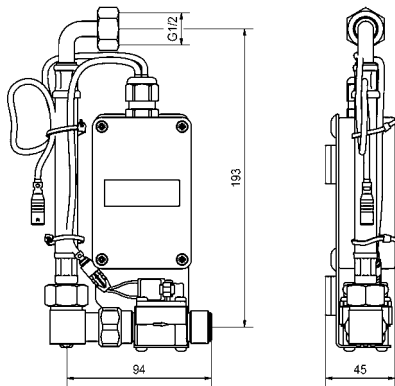
**ZAQCT0003** 2000109466

Power supply unit

**ACEX9001** 2030039477

Extension cable 5 m (per smart urinal unit)

**ACEX9010** 2030043814

**NEW****F5 smart urinal unit for row urinals made of stainless steel**

F5 smart urinal unit for installation within the water inlet area of the CAMPUS row urinal. Water path pre-assembled with pipe elbows for DN 15 water connection and flushing pipe, valve assembly with water volume regulation including a strainer, solenoid valve and hose. Control unit in sealed plastic box for wireless communication with the F5 smart urinal sensor. Either for battery operation with 6 V lithium battery (CR-P2) per control unit or separate power supply via power supply unit 6.75 V/12 V DC.

Battery compartment including battery or power supply unit with extension cable must be ordered separately.

**ACEF3004** 2030072412

Necessary accessories (optionally)

Battery compartment including 6 V battery

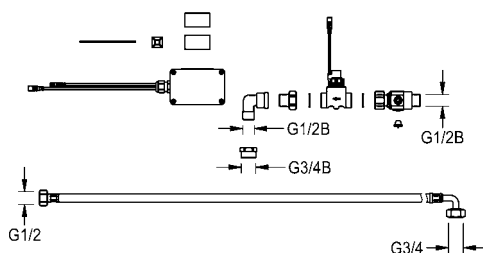
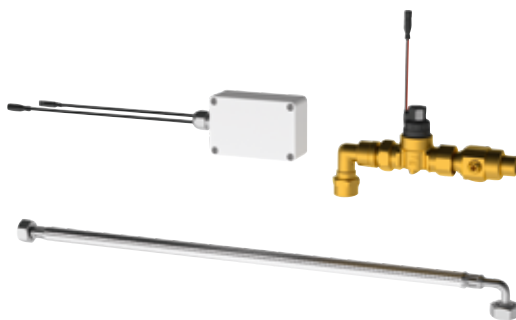
**ZAQCT0003** 2000109466

Power supply unit

**ACEX9001** 2030039477

Extension cable 5 m (per smart urinal unit)

**ACEX9010** 2030043814



# Electronic controls, flushing valves, electronic fitting

Type	Article Number
------	----------------



## Electronic siphon control

Electronic siphon control unit for invisible installation. For touch free flushing of KWC Professional stainless steel urinals. With flexible pressure hose, solenoid valve, electronic module and siphon with outside mounted sensor without water contact, hygiene flushing 24 h after the last activity, 230 V AC.

<b>AQUA420</b>	2000071169
----------------	------------

Version for KWC Professional row urinals

<b>AQUA422</b>	2000102700
----------------	------------

Optional accessories

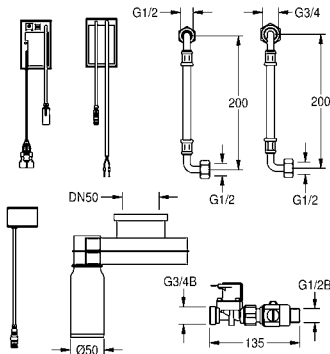
Extension cable 5 m

<b>ACEX9010</b>	2030043814
-----------------	------------

Necessary accessories for AQUA422

Trap cover for slab urinals

<b>ZCMPX0010</b>	2000102739
------------------	------------



## AQUALINE WC flushing valve

AQUALINE WC flush valve for surface installation, flushing quantity and volume flow adjustable. With nominal diameter DN 15. Polished chromium-plated brass, push cap and screw fitting made of chromium-plated plastic.

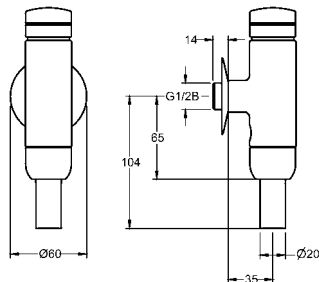
<b>AQRM551</b>	2000100082
----------------	------------

AQUALINE WC DN 20 flushing valve

<b>AQRM552</b>	2000100083
----------------	------------

AQUALINE WC flushing valve DN 20, all-metal construction

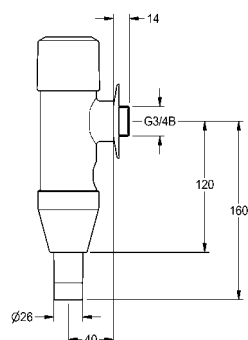
<b>AQRM559</b>	2000066508
----------------	------------



## AQUAREX WC flushing valve

AQUAREX WC flush valve DN 20, noise group I, for surface installation, with automatic volume flow control and adjustable flushing water volume, in polished chromium-plated brass, push cap and screw fitting made of metal.

<b>AQRM550</b>	2000100076
----------------	------------



Type

Article Number



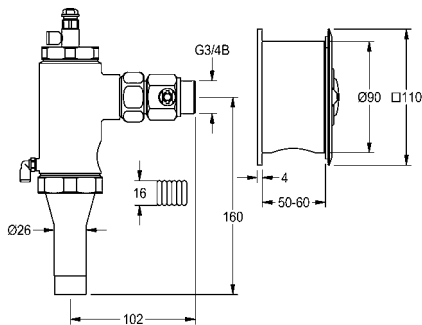
### WC flushing valve

AQUALINE WC flush valve DN 20 with noise group I with remote control, for vandal resistant applications, installation of flush valve outside the user room, remote control in wall installation box with stainless steel cover plate and metal push button.

**AQRM554C** 2000103712

Version without noise group I

**AQRM553C** 2000101061

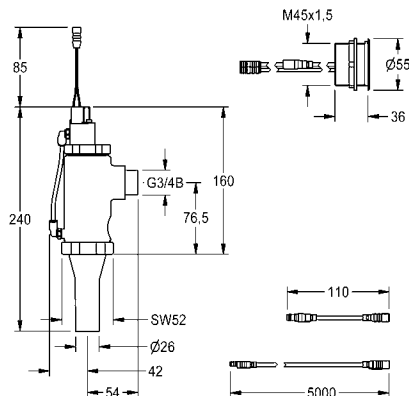


### F5E WC flush valve for concealed mounting

F5E WC flush valve DN 20 for concealed mounting, opto-electronically controlled. With circular sensor (diameter 55 mm), integrated control electronics and cleaning deactivation. Manufactured from polished chromium-plated brass, designed to be screwed from the rear, with anti-twist protection and solenoid flusher with extension cable for solenoid valve (length 5 m). Activated hygiene flushing 24 hours after last activation and saving of statistical data. With option for parametrisation and communication via optional bidirectional remote control. Options for battery operation with 6 V lithium battery (CR-P2) per fitting or separate power supply via power supply unit 6.75 V/12 V DC or AQUA 3000 open system accessories.

Battery compartment including battery or power supply unit with extension cable must be ordered separately.

**F5EF4002** 2030062326



Necessary accessories (optionally)

Battery compartment including 6 V battery

**ZAQCT0003** 2000109466

Power supply unit

**ACEX9001** 2030039477

Extension cable 5 m (per tap)

**ACEX9010** 2030043814

Optional accessories

Electronic module EM5 with ID 13020

**ACEF4003** 2030067649

Stainless steel cover, round, diameter 136 mm, for sensor support

**ZAQUA084** 2000101054

Bidirectional remote control, two-button remote control, see page 226

AQUA 3000 open system accessories, see "AQUA 3000 open" section

# Flushing plates for WC cisterns

Type

Article Number



## Flushing plate with 2 buttons for wall-installation cistern

Flushing plate for wall-installation cistern, operation from front, 2-level flushing or start/stop flushing, consisting of operating button, button mounting, installation frame, fixing bolts and securing screw, made of stainless steel.

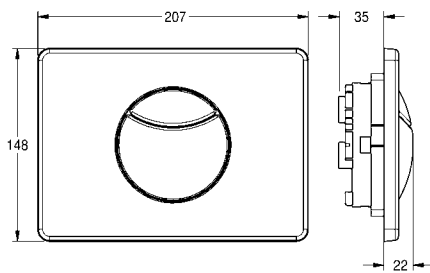
Dimensions 207 x 148 mm (W x H)

**AQUA555**

2000067493

Note:

Installation element with cistern, see "Installation elements for flushing systems" section



## Flushing plate with 1 button for wall-installation cistern

Flushing plate for wall-installation cistern, operation from front, consisting of operating button, button mounting, installation frame, fixing bolts and securing screw, made of stainless steel.

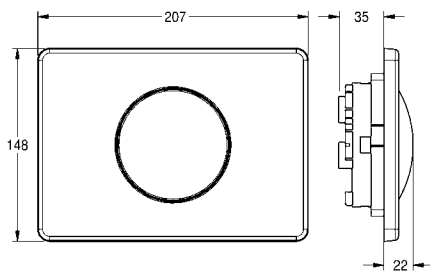
Dimensions 207 x 148 mm (B x H)

**AQUA557**

2000067429

Note:

Installation element with cistern, see "Installation elements for flushing systems" section







### AQUATIMER - A3000 open electronic WC controller for cistern

AQUATIMER - A3000 open electronically controlled WC control for concealed cistern with option for external controlling options such as setting the parameters and communication via ECC function controller. Consisting of waterproof electronic module with additional input for sensor switches (provided by customer), maximum distance to electronic module 5 m, servo motor, two waterproof electric t-junctions for connection to system cable, frame and stainless steel cover plate with integrated piezo switch and concealed screw connection, 24 V DC.

**AT300051** 2030021142

Necessary accessories (optionally)

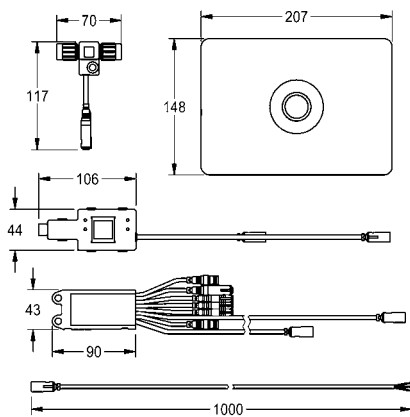
Installation frame for WC pan, with wall-installation cistern

**AQFX0006** 2030020126

Installation frame for WC pan, barrier-free, with wall-installation cistern

**AQFX0007** 2030020128

AQUA 3000 open system accessories, see "AQUA 3000 open" section



### EXOS. - A3000 open electronic WC controller for cistern

EXOS - A3000 open opto-electronic WC control for concealed toilet cistern. With option for external controlling options such as fittings settings and communication via ECC function controller or optional, bidirectional remote control.

With waterproof electronic module with additional input for sensors to be provided by the client no more than 5 m away (e.g. support grips for disabled persons), low voltage motor, waterproof electric T-junction for connecting to system cable, mounting bracket and stainless steel cover plate with sensors and concealed screw fastening. Activated water hygiene flushing 24 hours after last activation and saving of statistical data. Separate power supply 24 V DC via AQUA 3000 open system accessories.

**EXOS0027** 2030036621

Necessary accessories (optionally)

Installation frame for WC pan, with wall-installation cistern

**AQFX0006** 2030020126

Installation frame for WC pan, barrier-free, with wall-installation cistern

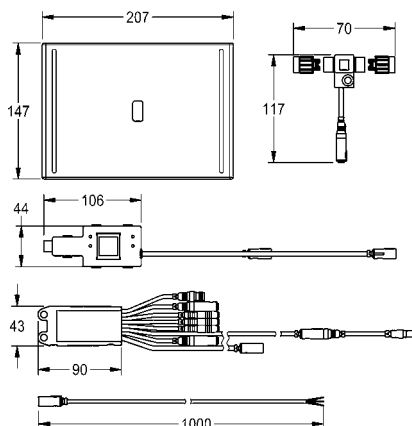
**AQFX0007** 2030020128

AQUA 3000 open system accessories, see "AQUA 3000 open" section

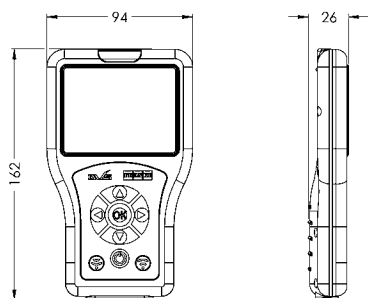
Optional accessories

Bidirectional remote control

**ACEX9005** 2030036654



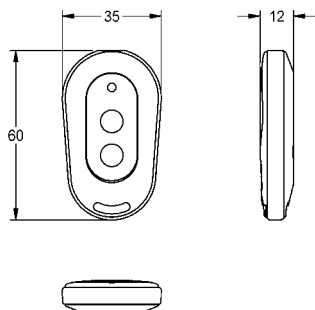
Type	Article Number
------	----------------



### Bidirectional remote control for electronic fittings F3 and F5

Bidirectional remote control for setting function parameters, storage fitting profiles and statistical data for electronic fittings F3 and F5 as well as hygiene units. Parameter display on menu-driven color screen. With internal rechargeable battery, USB port for transfer of fitting specific statistical data as CSV file to PC. With possibility to import firmware files. Including protective bag and USB connecting cable.

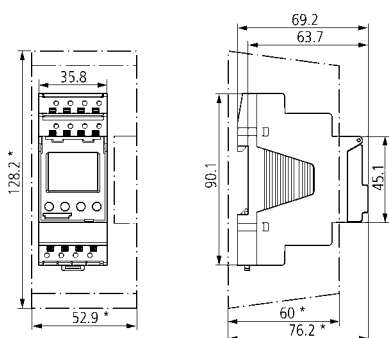
<b>ACEX9005</b>	2030036654
-----------------	------------



### 2-button remote control for fittings F3 and F5

2 buttons remote control for fittings F3 and F5 for activation cleaning switch-off for 1 minute and deactivation/activation of hygiene flush.

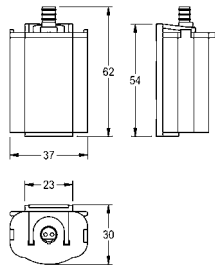
<b>ACEX9004</b>	2030036849
-----------------	------------



### Timer switch

Electronic contactor-timer with two channels, menu-guided display, 84 memory locations for switch-on and switch-off times within the daily and weekly programs. Switchable between summertime and wintertime mode. With 10 years reserve power in the event of a power outage. Easy to operate via 4 keys in a row with date-controlled holiday program, pulse program, cycle program and 2 additional external control inputs (keys, switches, inactive). Integrated operating hours meter, resettable and with a service function for monitoring maintenance intervals, 230 V AC.

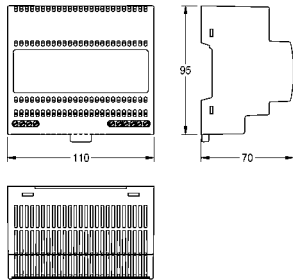
<b>ZAQUA082</b>	2000100820
-----------------	------------



**Battery compartment**

Battery compartment complete with fixing holder and lithium battery 6 V DC.

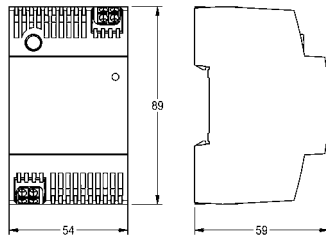
<b>ZAQCT0003</b>	2000109466
------------------	------------



**Power supply unit**

Mains unit, for central power supply, operating voltage 100-240 V AC, output voltage switchable between 7 V DC, 31.5 W or 12 V DC, 50 W.

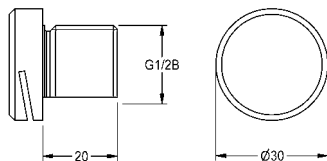
<b>ACEX9001</b>	2030039477
-----------------	------------



**Power supply unit**

Power supply unit for switching system installation (TS35) for power supply to AQUA 3000 open taps with a 100 m maximum cable length, 100 V AC-240 V AC/24 V DC, 60 W.

<b>ASEX1031</b>	2030068573
-----------------	------------



**Urinal flushing head**

DN 15 urinal flushing head, with narrow flushing slot, all-metal construction made of stainless steel, with 20 mm threaded connections.

<b>ACXF3001</b>	2030071742
-----------------	------------

with 60 mm threaded connections

<b>ACXF3002</b>	2030071743
-----------------	------------





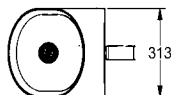
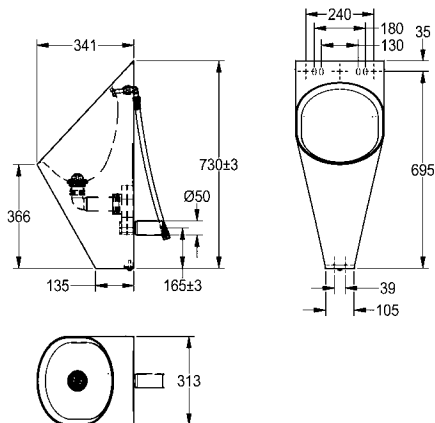
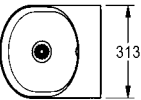
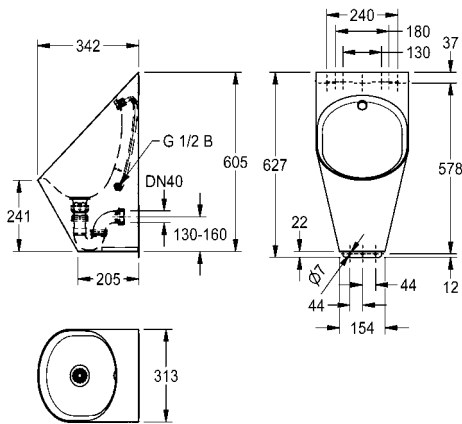
# Urinals and WCs

A bright and friendly design, combined with durable and easy to maintain surfaces supports the hygienic appearance of toilet facilities. Urinal and WCs made of easy to clean, robust stainless steel are to be recommended in sanitary facilities.

## Urinals and WCs

<b>KWC</b> CAMPUS Urinals, urinal dividers	230
<b>KWC</b> CAMPUS Row urinals, urinal stand	232
<b>KWC</b> CAMPUS WC pans	233
<b>KWC</b> CAMPUS Squat pans	235

# CAMPUS Urinals



Type	Article Number
------	----------------

## CAMPUS urinal

CAMPUS wall-mounted urinal made of 304 chromium-nickel steel, satin finished surface, bowl material thickness 1.2 mm, shroud 0.9 mm, oval bowl shape, stainless steel spreader with G 1/2 connecting hose, punched strainer waste, including DN 40 siphon, mounting strip and mounting material.

Dimensions 313 x 627 x 342 mm (W x H x D)

**CMPX539** 2030066247

## CAMPUS urinal

Single urinal for wall mounting, stainless steel, surface satin finished, material thickness 1.2 mm, oval bowl, stainless steel spreader 1/2", hidden horizontal outlet towards wall, mounting and fixing conform to EN 80, hidden screws, included trap DN 50, included mounting bracket and domed waste.

With stainless steel spreader 1/2"

Dimensions 313 x 733 x 341 mm (W x H x D)

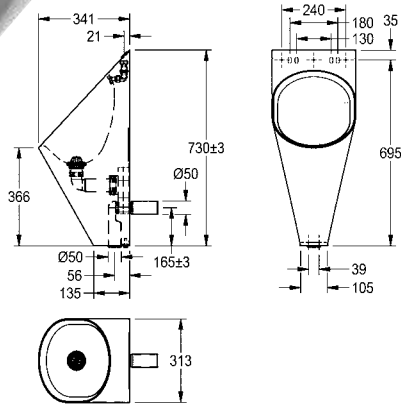
**CMPX538** 2000071872

Version as waterless wall-mounted urinal, with DN 50 bent outlet, mounting strip and stainless steel waste with rubber membrane as trap.

**CMPX538WF** 2000071875

Version as urinal with concealed flushing control, for installation from the front, with mounting clamp and concealed mounting

**CMPX538RS** 2000103380



### CAMPUS urinal for wall mounted flush valves

Single urinal for wall mounting, stainless steel, surface satin finished, material thickness 1.2 mm, oval bowl, stainless steel spreader 1/2", hidden horizontal outlet towards wall, mounting and fixing conform to EN 80, hidden screws, included trap DN 50, included mounting bracket and domed waste. With stainless steel spreader 1/2", for exposed cistern and waste pipe-work.

Dimensions 313 x 733 x 341 mm (W x H x D)

**CMPX538E** 2000100769

Necessary accessories (optionally)

AQUALINE – urinal flush valve DN 15

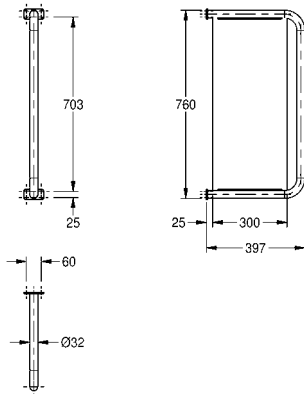
**AQRM460** 2000065995

All-metal construction

**AQRM464** 2000100071

Flushing pipe, elbowed offset 35 mm

**AQRM913** 2000101435

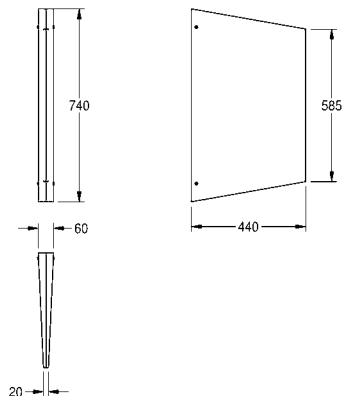


### CAMPUS urinal divider

Urinal divider for wall mounting, stainless steel, surface satin finished, material thickness 1.5 mm, 32 mm pipe diameter, with two stainless steel covers for hidden mounting, includes screws and dowels.

Dimensions 60 x 760 x 397 mm (W x H x D)

**CMPX560** 2000056972



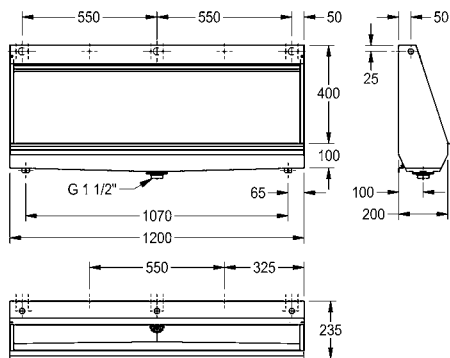
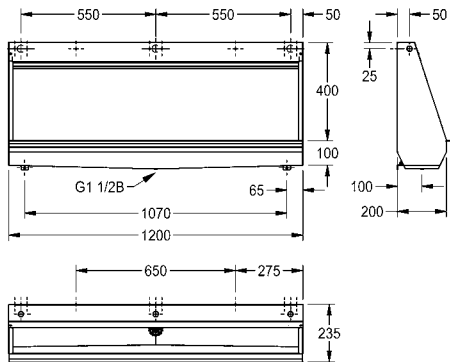
### CAMPUS urinal divider

Urinal divider for wall mounting, stainless steel, surface satin finished with WL5 1 mm structure, material thickness 2 mm, hidden wall mounting, includes screws and dowels.

Dimensions 60 x 740 x 440 mm (W x H x D)

**CMPX700** 2000056977

# CAMPUS Urinals, WC pan



Type	Article Number
------	----------------

## CAMPUS slab urinal

Urinal slab, stainless steel AISI 316, surface satin finished, material thickness 1 mm, flushing water demand 0,15 l/sm, with covered flush pipe. Middle positioned slanted waste G1 1/2 B for connection to the syphon, included wall fixing brackets and mounting set.

Dimensions 1200 x 515 x 235 mm (W x H x D)

<b>CMPX551GE</b>	2030020113
Width 1400 mm	
<b>CMPX552GE</b>	2030020114
Width 1800 mm	
<b>CMPX553GE</b>	2030020115
Width 2100 mm	
<b>CMPX554GE</b>	2030020116
Width 2400 mm	
<b>CMPX555GE</b>	2030020117
Optional accessories	
Slab urinal connector	
<b>ZCMPX0002</b>	2030020577
Trap cover for slab urinals	
<b>ZCMPX0010</b>	2000102739

## CAMPUS slab urinal

Wall hung slab urinal, stainless steel, surface satin finished, material thickness 1 mm, water inlet can be chosen from top, back or each side with 3/4" connection, included 3/4" flexible hose to connect hidden plastic sparge pipe, complete back wall flushing, included flow regulator, bowl slanted towards middle, 1 1/2" waste, trap not included, included wall fixing brackets and mounting set.

Dimensions 1200 x 515 x 235 mm (W x H x D)

<b>CMPX551</b>	2000056957
Width 1400 mm	
<b>CMPX552</b>	2000056967
Width 1800 mm	
<b>CMPX553</b>	2000056969
Width 2400 mm	
<b>CMPX555</b>	2000056971
Optional accessories	
Slab urinal connector	
<b>ZCMPX0008</b>	2000101123
Trap cover for slab urinals	
<b>ZCMPX0010</b>	2000102739



Type

Article Number



### CAMPUS urinal stand

Floor standing urinal, stainless steel, surface satin finished, material thickness 1.5 mm, back inlet button spreaders 1/2" at 600 mm spacings, 1 1/2" flat perforated waste.

Dimensions 600 x 1076 x 260 mm (W x H x D)

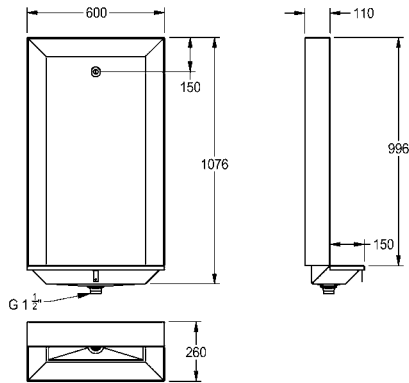
**BS550** 2000100030

Dimensions 1200 x 1076 x 260 mm (W x H x D)

**BS551** 2000100031

Width 1800 mm

**BS552** 2000100032



### CAMPUS wall hung WC pan

Wall hung WC pan, stainless steel, surface satin finished, material thickness 1.5 mm, flushing certificated to EN 997, concealed flushing rim with min. 4 liter flushing capacity, with a shrouded 100 mm diameter horizontal 'P' trap outlet, pressed seat area tapered towards centre, all edges curved, fixing with mounting plate supplied, conform to EN 33, includes security screws. 4 litre flush EN 997 approved.

Without seat

Dimensions 360 x 353 x 500 mm (W x H x D)

**CMPX592** 2000100133

With 2 toilet seat pads

**CMPX592S** 2000100134

With black toilet seat

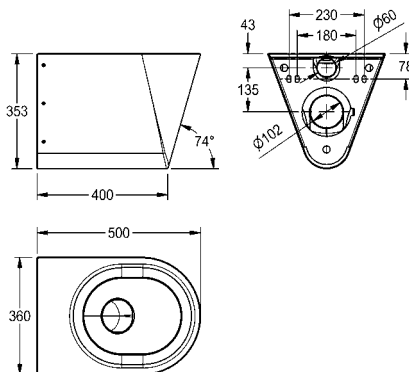
**CMPX592BN** 3600000629

With grey toilet seat

**CMPX592GN** 3600000650

With white toilet seat

**CMPX592WN** 3600000651



# CAMPUS Urinals, WC pans

Type	Article Number
------	----------------

## CAMPUS wall hung WC pan barrier-free

Wall hung WC pan for disabled, stainless steel, surface satin finished, material thickness 1.5 mm, flushing certificated to EN 997, concealed flushing rim with min. 4 liter flushing capacity, with a shrouded 100 mm diameter horizontal 'P' trap outlet, pressed seat area tapered towards centre, all edges curved, fixing with included mounting plate conform to EN 33, including safety screws.

Without seat  
Dimensions 360 x 351 x 700 mm (W x H x D)

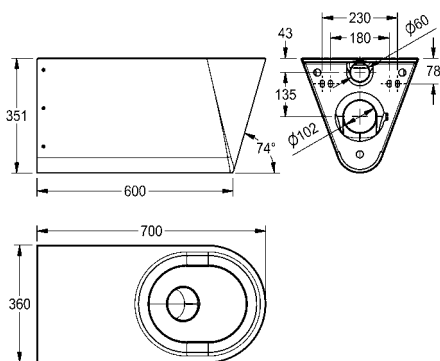
**CMPX594** 2000100147

With 2 toilet seat pads  
**CMPX594S** 2000100148

With black toilet seat  
**CMPX594BN** 3600000652

With grey toilet seat  
**CMPX594GN** 3600000653

With white toilet seat  
**CMPX594WN** 3600000654



## CAMPUS wall hung WC pan with floor-length apron

Floor standing WC pan with floor-length apron, stainless steel, surface satin finished, material thickness 1.5 mm, flushing certificated to EN 997, concealed flushing rim with min. 4 litre flushing capacity, with a shrouded 100 mm diameter horizontal 'P' trap outlet, pressed seat area tapered towards centre, all edges curved, fixing with included mounting plate conform to EN 33, including safety screws. 4 litre flush EN 997 approved.

Without seat  
Dimensions 360 x 400 x 500 mm (W x H x D)

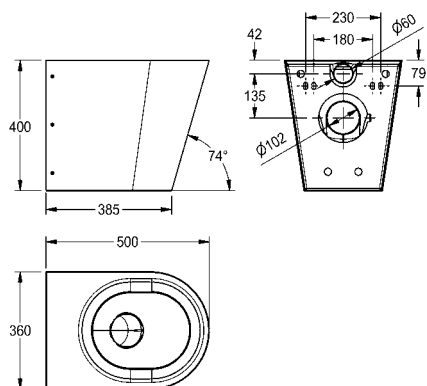
**CMPX597** 2000100153

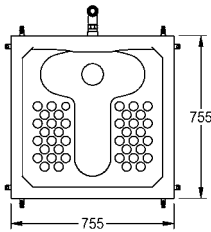
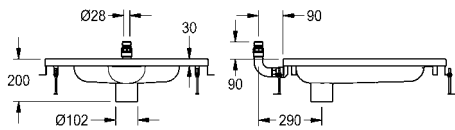
With 2 toilet seat pads  
**CMPX597S** 2000100154

With black toilet seat  
**CMPX597BN** 3600000655

With grey toilet seat  
**CMPX597GN** 3600000656

With white toilet seat  
**CMPX597WN** 3600000657





### CAMPUS squat pan

Squat pan made of stainless steel, suitable for DN 20 in-wall flush valves, surface satin finished, material thickness 1 mm, 9 liter flushing capacity, with circular folded edge (22 mm) and circular flushing rim. Vertical connection from behind with screw connection of 28 mm diameter, internal DN 100 waste outlet, fixing material and height adjustment included.

Dimensions 753 x 196 x 753 mm (W x H x D)

**CMPX504** 2000102732

#### Optional accessories

Polystyrene mounting support with wall connection elements and plastic mounting pins, dimensions 730 x 150 x 730 mm (W x H x D)

**ZCMPX004** 2000102731

Trap, vertical outlet DN 100

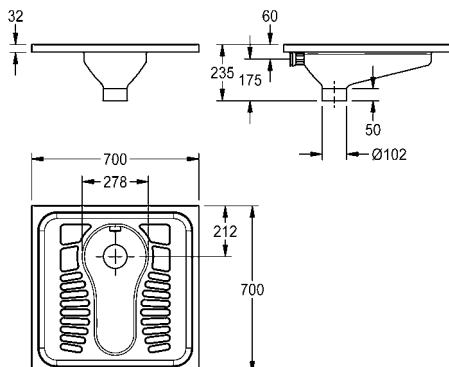
**ZCMPX002** 2000102733

Trap, horizontal outlet DN 100

**ZCMPX003** 2000102734

#### Note:

Suitable WC flushing valves, see "Flushing valves" section



### CAMPUS squat pan

Squat pan for recessed or inset mounting, stainless steel, surface satin finished, material thickness 1.2 mm, DN 100 waste, drainage into ground, slip resistant patterned foot tread plate areas, suitable for recessed mounting into floor.

With spreader for connection of 40 mm outer diameter flushing pipe.

Dimensions 700 x 235 x 700 mm (W x H x D)

**CMPX502N** 2030018490

Version without spreader

**CMPX503N** 2030023692

#### Necessary accessories (optionally)

Connection set for squat toilet, consisting of screw-in connector and adapter, diameter 28 mm, for flush valves

**ZCMPX0007** 2030027502

Connection kit for squat pan, consisting of male connector and adapter, diameter 32 mm, for cistern

**ZCMPX0012** 2030030368

#### Optional accessories

Polystyrene mounting support, dimensions 680 x 200 x 680 mm (W x H x D)

**ZCMPX0011** 2030027861

Trap, horizontal outlet DN 100

**ZCMPX003** 2000102734

Trap, vertical outlet DN 100

**ZCMPX002** 2000102733

#### Note:

Suitable WC flushing valves for CMPX502N, see "Flushing valves" section



# Installation elements for flushing systems

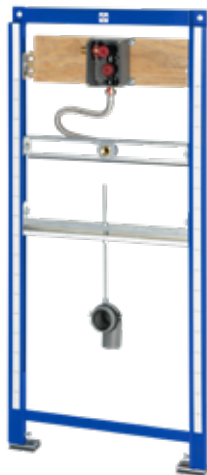
AQUAFIX: The product range includes TÜV-tested installation elements for urinal basins made of ceramic or stainless steel with pre-installed mounting kit and designs for siphon control or waterless urinals. Additionally, installation elements with mounting kits or cisterns as an installation aid, as well as designs for barrier-free WC facilities, are available for wall-mounted WCs.

## Installation elements for flushing systems

<b>KWC</b> AQUAFIX Installation frame for urinals	238
<b>KWC</b> AQUAFIX Installation frame for WCs	240
<b>KWC</b> AQUAFIX Fastening elements	241

# AQUAFIX Installation elements for flushing systems

Type	Article Number
------	----------------



## AQUAFIX installation frame with flush valve for in-wall installation for ceramic urinals

AQUAFIX installation frame for ceramic urinals, with ready assembled basic installation kit for in-wall urinal flush valves, manually operated or touch-free, opto-electronically controlled. Self-supporting, powder-coated, steel frame construction, TÜV tested, for installation of single units in dry-wall lining, adjustable height fixing as well as tap connection and outlet mount, sound-insulated wall duct with flush connector, universal outlet bend 50 mm, urinal fixing bolts, building protection and fixing materials.

Dimensions 525 x 1120 mm (W x H)

**AQFX0001** 2030020123

Necessary accessories

F5E electronic urinal flush valve for in-wall installation  
**F5EF3010** 2030067743

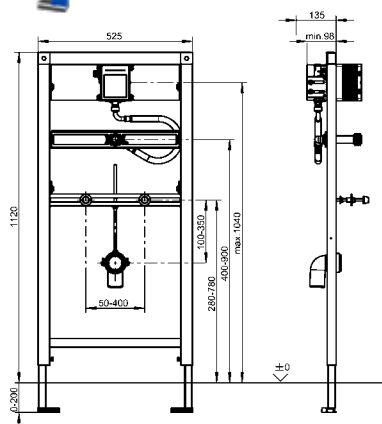
Optional accessories

AQUAFIX wall bracket set for pre-wall installation packaging unit:  
 2 items.

**ZCMPX140** 2000100867

Note:

Fittings descriptions, see "Flush valves" section



## AQUAFIX installation frame with flush valve for in-wall installation for stainless steel urinals

AQUAFIX installation frame for stainless steel urinals, with fully assembled basic installation kit for in-wall urinal flush valves, manually operated or touch-free, opto-electronically controlled. Self-supporting, powder-coated, steel frame construction, TÜV tested, for installation of single units in dry-wall lining, adjustable height fixing as well as tap connection and outlet mount, sound-insulated wall duct with G 1/2, universal outlet bend DN 50, urinal fixing bolts, building protection and fixing materials.

Dimensions 525 x 1440 mm (W x H)

**AQFX0002** 2000110549

Necessary accessories

F5E electronic urinal flush valve for in-wall installation  
**F5EF3010** 2030067743

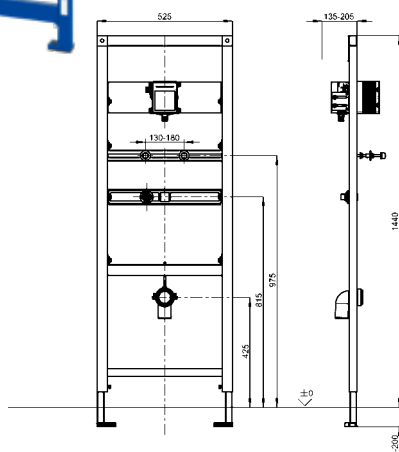
Optional accessories

AQUAFIX wall bracket set for pre-wall installation packaging unit:  
 2 items.

**ZCMPX140** 2000100867

Note:

Fittings descriptions, see "Flush valves" section



Type

Article Number



### AQUAFIX urinal installation frame for stainless steel urinals with siphon control

AQUAFIX urinal installation frame for stainless steel urinals with siphon control, self-supporting powder coated steel frame construction, TÜV-tested, for individual mounting for dry-wall lining, height adjustable fastening of objects, height adjustable fitting connection and outlet mount, premounted for urinal CMPX538, sound-insulated wall duct G 1/2, universal outlet bend DN 50, urinal fastening bolts, building protection and fixing material.

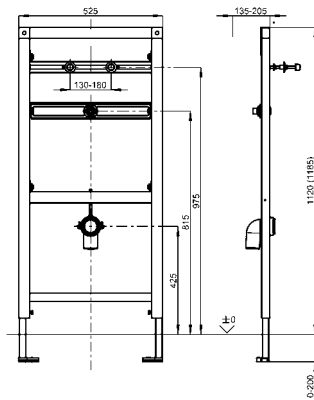
Dimensions 525 x 1120 mm (W x H)

**CMPX136** 2030020069

Optional accessories

AQUAFIX wall bracket set for pre-wall installation packaging unit:  
2 items.

**ZCMPX140** 2000100867



### AQUAFIX urinal installation frame for waterfree urinals

AQUAFIX urinal installation frame for waterfree urinals, self-supporting powder coated steel frame construction, TÜV-tested, for individual mounting for dry-wall lining, height adjustable fastening of objects and outlet mount, premounted for urinal CMPX538WF, universal outlet bend DN 50, urinal fastening bolts, building protection, fixing material and mounting instruction.

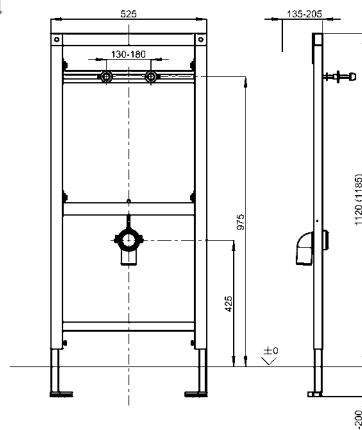
Dimensions 525 x 1120 mm (W x H)

**CMPX137** 2030020070

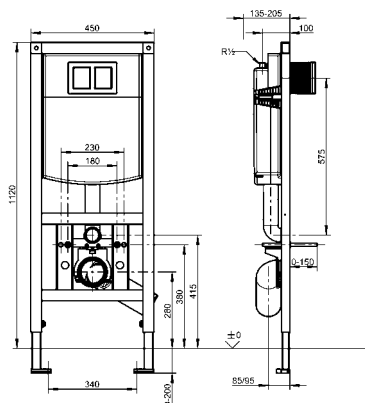
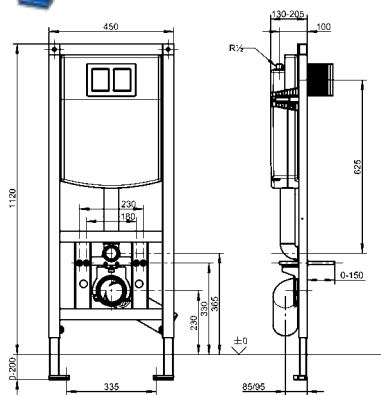
Optional accessories

AQUAFIX wall bracket set for pre-wall installation packaging unit:  
2 items.

**ZCMPX140** 2000100867



# AQUAFIX Installation elements for flushing systems



Type	Article Number
------	----------------

## AQUAFIX installation frame for WC pan, with wall-installation cistern

AQUAFIX installation element for wall-mounted toilet bowl, with wall-installation cistern. Self-supporting, powder coated steel-frame construction, TÜV tested, for individual mounting for dry-wall lining. Concealed toilet cistern with water condensation insulation, with dual-volume flushing (7,5-4,5 l or 4-2 l) or Start/Stop flushing, triggering function transferred via flexible pressure spirals, charge valve noise group I, mounting bracket 4-fold adjustable for toilet-connecting elbow DN 90 / DN 100, complete with flexible connecting hose, toilet-connecting elbow, retaining bolts for toilet, building protection and fastening material.

Dimensions 450 x 1120 mm (W x H)

**AQFX0006** 2030020126

Necessary accessories (optionally)

Flushing plate made of stainless steel with one button

**AQUA557** 2000067429

Flushing plate made of stainless steel with two buttons for dual flushing or start/stop flush

**AQUA555** 2000067493

EXOS - A3000 open electronic WC controller for cistern

**EXOS0027** 2030036621

AQUATIMER - A3000 open electronic WC controller for cistern

**AT300051** 2030021142

Optional accessories

AQUAFIX wall bracket set for pre-wall installation packaging unit: 2 items.

**ZCMPX140** 2000100867

Note: Fittings descriptions, see "Flush valves" section

## AQUAFIX installation frame for WC pan, barrier-free, with wall-installation cistern

AQUAFIX installation frame for barrier-free wall-mounted toilet bowl, with wall-installation cistern. Self-supporting, powder coated steel-frame construction, TÜV tested, for individual mounting for dry-wall lining. Concealed toilet cistern with water condensation insulation, with dual-volume flushing (7,5-4,5 l or 4-2 l) or Start/Stop flushing, triggering function transferred via flexible pressure spirals, charge valve noise group I, mounting bracket 4-fold adjustable for toilet-connecting elbow DN 90 / DN 100, complete with flexible connecting hose, toilet-connecting elbow, retaining bolts for toilet, building protection and fastening material.

Dimensions 450 x 1120 mm (W x H)

**AQFX0007** 2030020128

Necessary accessories (optionally)

Flushing plate made of stainless steel with one button

**AQUA557** 2000067429

Flushing plate made of stainless steel with two buttons for dual flushing or start/stop flush

**AQUA555** 2000067493

EXOS - A3000 open electronic WC controller for cistern

**EXOS0027** 2030036621

AQUATIMER - A3000 open electronic WC controller for cistern

**AT300051** 2030021142

Optional accessories

AQUAFIX wall bracket set for pre-wall installation packaging unit: 2 items.

**ZCMPX140** 2000100867

Subframe for right-hand installation

**AQFX0003** 2030019966

Subframe for left-hand installation

**AQFX0004** 2030019974

Foldable grab rail with electronic flush button, flush trigger **right**

**CNTX72F-R** 2000103283

Foldable grab rail with electronic flush button, flush trigger **left**

**CNTX72F-L** 2000103284

Note: Fittings descriptions, see "Flush valves" section, fold-up grab bar see "Barrier-free fitting elements" section.





### AQUAFIX subframe for attaching grab rails / handles to for right-hand

AQUAFIX subframe for attaching grab rails / handles to for right-hand installation on the installation frame, self-supporting powder coated steel-frame construction, TÜV tested, for individual mounting for dry-wall lining, 2 fixing points, completely preassembled, with water-resistant, multi-bonded laminated wood panel, universally adjustable height, mounting material included.

Dimensions 300 x 1120 mm (W x H)

**AQFX0003** 2030019966

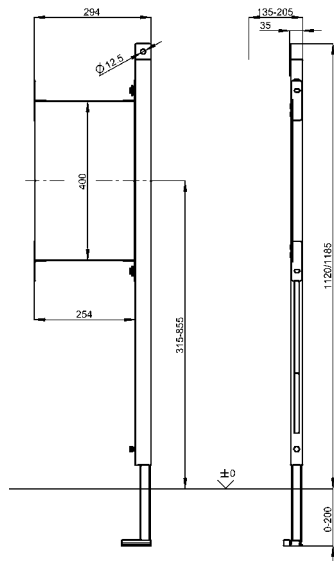
Subframe for attaching grab rails / handles to for left-hand

**AQFX0004** 2030019974

Optional accessories

AQUAFIX wall bracket set for pre-wall installation packaging unit:  
2 items.

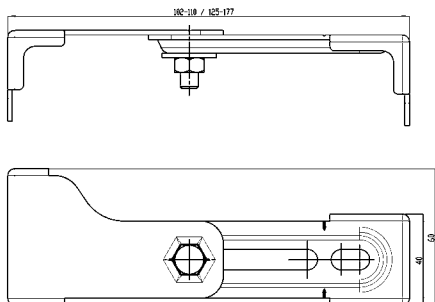
**ZCMPX140** 2000100867



### AQUAFIX wall bracket

AQUAFIX wall brackets for pre-wall installation, for fastening AQUAFIX installation elements on masonry or in front of the single plank wall, continuously adjustable in depth, for individual mounting, galvanized steel, fixing material included, packing unit 2 pieces.

**ZCMPX140** 2000100867







# Accessories EXOS. | STRATOS | RODAN

Modern, functional and hygienic accessories provide professionals with suitable solutions for designing washroom and toilet facilities.

With the EXOS., STRATOS and RODAN lines, finding easy-to-clean sanitary fittings has never been simpler.

EXOS. Accessories add new highlights: Clear design statements, modular systems and the combination of high-quality materials such as glass and stainless steel are brought together to create surface-mounted or flushmounted solutions that are perfectly shaped and blend into any architecture.

## Accessories for wall mounting and recessed mounting

<b>KWC</b> EXOS. Soap dispenser	244
<b>KWC</b> EXOS. Disinfectant dispensers	247
<b>KWC</b> EXOS. Hand dryer, paper towel dispensers	248
<b>KWC</b> EXOS. Waste bins, combination	250
<b>KWC</b> EXOS. Toilet roll holders, toilet brush holder	252
<b>KWC</b> STRATOS Accessories	254
<b>KWC</b> RODAN Accessories	270
<b>KWC</b> Supplementary accessories	286

# EXOS. Soap dispensers

Type Article Number



**INOX PLUS**

## EXOS. electronic soap dispenser for wall mounting

Touch free soap dispenser for wall mounting, stainless steel with satin finish, front and casing with InoxPlus surface refinement for the reduction of finger marks and better cleaning characteristics (easy to clean), material thickness 1.2 mm, inspection window on side, infrared sensor activity for non-touch operation, LED display shows battery status, requires 4 pieces 1.5 V AA batteries, suitable for liquid soap and lotions, includes 800 ml refill tank, dispenses 0.6 - 1.1 ml depending on soap, includes mounting materials.

Dimensions 120 x 325 x 120 mm (W x H x D)

**EXOS625X** 2030022942

InoxPlus-coated main housing, black toughened safety glass front panel

**EXOS625B** 2030022943

InoxPlus-coated main housing, white toughened safety glass front panel

**EXOS625W** 2030025231

Optional accessories

Stand Premium, for KWC Professional touch-free disinfectant/soap dispensers

**GLX2020** 2030062801

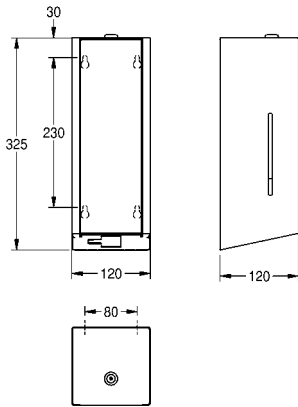
Consumables

Liquid soap, 1 litre, 6 bottles per pack

**SO1LP** 2030058103

Liquid soap, in 10 litre canister

**SO10L** 2000057168



**INOX PLUS**

## EXOS. electronic soap dispenser for recessed mounting

Touch free soap dispenser for recessed mounting, stainless steel with satin finish, front and casing with InoxPlus surface refinement for the reduction of finger marks and better cleaning characteristics (easy to clean), material thickness 1.2 mm, infrared sensor activity for non-touch operation, LED display shows battery status, requires 4 pieces 1.5 V AA batteries, suitable for liquid soap and lotions, includes 800 ml refill tank, dispenses 0.6 - 1.1 ml depending on soap, includes mounting materials.

Dimensions 124 x 500 x 120 mm (W x H x D)

**EXOS625EX** 2030034639

InoxPlus-coated main housing, black toughened safety glass front panel

**EXOS625EB** 2030034641

InoxPlus-coated main housing, white toughened safety glass front panel

**EXOS625EW** 2030034668

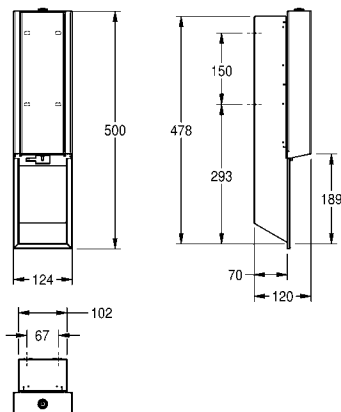
Consumables

Liquid soap, 1 litre, 6 bottles per pack

**SO1LP** 2030058103

Liquid soap, in 10 litre canister

**SO10L** 2000057168



**INOX PLUS****EXOS. soap dispenser for wall mounting**

Soap dispenser for wall mounting, stainless steel with satin finish, front and casing with InoxPlus surface refinement for the reduction of finger marks and better cleaning characteristics (easy to clean), material thickness 1.2 mm, inspection window on side, suitable for liquid soap and lotions, 800 ml refill tank, with stainless steel push lever, easy to refill with soap tank on front panel, includes mounting materials.

Dimensions 120 x 345 x 120 mm (W x H x D)

**EXOS618X** 2030022939

InoxPlus-coated main housing, black toughened safety glass front panel

**EXOS618B** 2030022940

InoxPlus-coated main housing, white toughened safety glass front panel

**EXOS618W** 2030025230

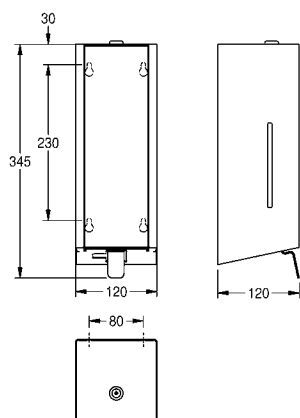
## Consumables

Liquid soap, 1 litre, 6 bottles per pack

**SO1LP** 2030058103

Liquid soap, in 10 litre canister

**SO10L** 2000057168

**INOX PLUS****EXOS. soap dispenser for recessed mounting**

Soap dispenser for recessed mounting, stainless steel with satin finish, front and casing with InoxPlus surface refinement for the reduction of finger marks and better cleaning characteristics (easy to clean), material thickness 1.2 mm, suitable for liquid soap and lotions, 800 ml refill tank, with stainless steel push lever, easy to refill with soap tank on front panel, includes mounting materials.

Dimensions 124 x 500 x 120 mm (W x H x D)

**EXOS618EX** 2030034637

InoxPlus-coated main housing, black toughened safety glass front panel

**EXOS618EB** 2030034638

InoxPlus-coated main housing, white toughened safety glass front panel

**EXOS618EW** 2030034667

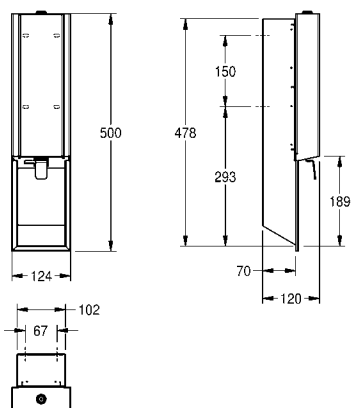
## Consumables

Liquid soap, 1 litre, 6 bottles per pack

**SO1LP** 2030058103

Liquid soap, in 10 litre canister

**SO10L** 2000057168



# EXOS. Soap dispensers, disinfectant dispensers

Type

Article Number



**INOX PLUS**

## EXOS. foam soap dispenser for wall mounting

Foam soap dispenser for wall mounting, stainless steel with satin finish, front and casing with InoxPlus surface refinement for the reduction of finger marks and better cleaning characteristics (easy to clean), material thickness 1.2 mm, inspection window on side, with stainless steel pull lever, suitable for KWC Professional foam soap, includes mounting materials and 650 ml KWC Professional foam soap.

Dimensions 120 x 357 x 120 mm (W x H x D)

**EXOS616X** 2030022945

InoxPlus-coated main housing, black toughened safety glass front panel

**EXOS616B** 2030022946

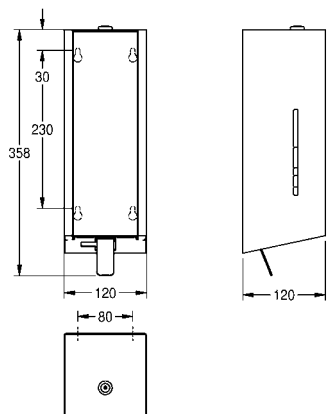
InoxPlus-coated main housing, white toughened safety glass front panel

**EXOS616W** 2030025232

Consumables

Foam soap cartridge, 650 ml, 9 cartridges per pack

**EXINX616FP** 2030058766



**INOX PLUS**

## EXOS. foam soap dispenser for recessed mounting

Foam soap dispenser for recessed mounting, stainless steel with satin finish, front and casing with InoxPlus surface refinement for the reduction of finger marks and better cleaning characteristics (easy to clean), material thickness 1.2 mm, with stainless steel pull lever, suitable for KWC Professional foam soap, includes mounting materials and 650 ml KWC Professional foam soap.

Dimensions 124 x 500 x 120 mm (W x H x D)

**EXOS616EX** 2030034634

InoxPlus-coated main housing, black toughened safety glass front panel

**EXOS616EB** 2030034636

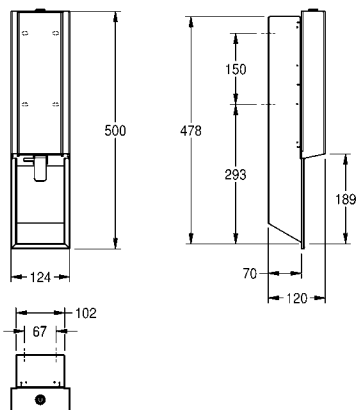
InoxPlus-coated main housing, white toughened safety glass front panel

**EXOS616EW** 2030034666

Consumables

Foam soap cartridge, 650 ml, 9 cartridges per pack

**EXINX616FP** 2030058766

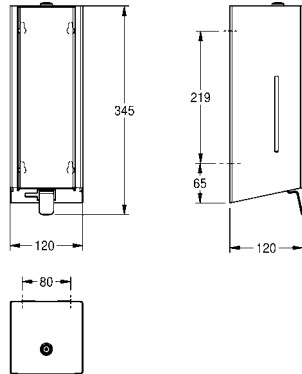


**INOX PLUS****EXOS. disinfectant dispenser for wall mounting**

EXOS, disinfectant dispenser, for wall mounting, stainless steel with satin finish, front and casing with InoxPlus surface refinement for the reduction of finger marks and better cleaning characteristics (easy to clean), material thickness 1,2 mm, inspection window on the side, front cover with application note, suitable for disinfectant and lotions, includes 800 ml refill tank, with stainless steel pull lever, front sided dispensing mechanism allows easy refilling, includes mounting materials.

Dimensions 120 x 345 x 120 mm (W x H x D)

**EXOS629X** 2030062588

**INOX PLUS****EXOS. electronic disinfectant dispenser for wall mounting**

EXOS, disinfectant dispenser, touch free, for wall mounting, stainless steel with satin finish, front and casing with InoxPlus surface refinement for the reduction of finger marks and better cleaning characteristics (easy to clean), material thickness 1,2 mm, inspection window on the side, front cover with operating instructions, infrared sensor activity for non-touch operation, LED display shows battery status, requires 4 pieces 1,5V AA batteries, suitable for disinfectant and lotions, includes 800 ml refill tank, depending on disinfectant between 0,6 and 1,1 ml is dispensed, mounting height at least 300 mm above wash basin or table top, includes mounting materials.

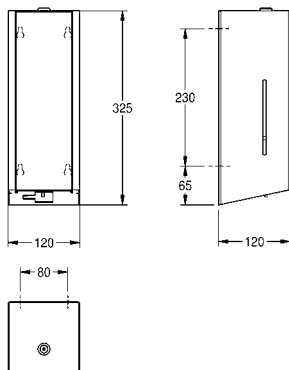
Dimensions 120 x 325 x 120 mm (W x H x D)

**EXOS627X** 2030062512

## Optional accessories

Stand Premium, for KWC Professional touch-free disinfectant/soap dispensers

**GLX2020** 2030062801

**Premium Stand**

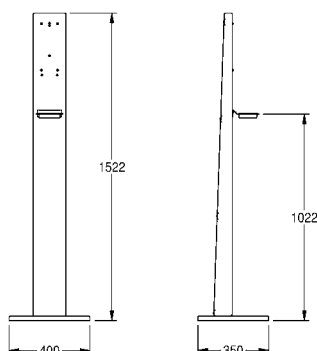
Premium Stand, free-standing, stainless steel with satin finish, material thickness 1.5 mm, comes with black plastic drip tray, provision threaded holes and fixing screws, compatible to mount KWC Professional touch-free disinfectant/soap dispensers, mounting material included.

Dimensions 400 x 1522 x 350 mm (W x H x D)

Dimensions base plate 400 x 22 x 350 mm (W x H x D)

Dispensers not in scope of delivery.

**GLX2020** 2030062801



# EXOS. Hand dryer, paper towel dispensers

Type

Article Number

**INOX PLUS**

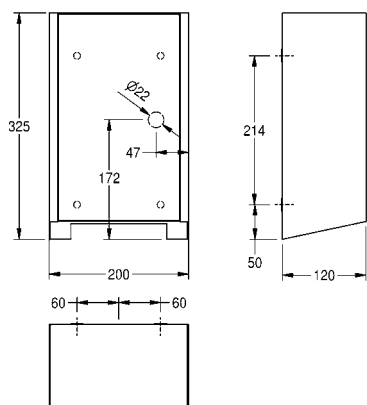
## EXOS. hand dryers

Hand dryer for wall mounting, stainless steel with satin-finish and InoxPlus surface refinement for the reduction of finger marks and better cleaning characteristics (easy to clean), material thickness 1.2 mm, with contactless opto-electronic sensor for touch-free operation, adjustable hot air temperature, sensor range adjustable from 10 to 25 cm, protection from continuous operation with automatic switch-off after 60 seconds, air speed adjustable, cable and plug not included.



Operating voltage 220-240V AC, 50-60 Hz  
 Total power 800-1000 W  
 Heater 500 W  
 Motor 500 W  
 Air volume 80 m<sup>3</sup>/h  
 Air velocity 95 - 115 m/s

Dimensions 200 x 325 x 120 mm (W x H x D)



**EXOS220X** 2030027981

InoxPlus-coated main housing, black toughened safety glass front panel

**EXOS220B** 2030034622

InoxPlus-coated main housing, white toughened safety glass front panel

**EXOS220W** 2030034660

**INOX PLUS**

## EXOS. paper towel dispenser for wall mounting

Manual paper towel dispenser for wall mounting, stainless steel with satin finish, front and casing with InoxPlus surface refinement for the reduction of finger marks and better cleaning characteristics (easy to clean), material thickness 1.2 mm, maximum roll width 205 mm, maximum roll diameter 200 mm, paper perforation length 260 mm, adjustable paper roll holder for optimised paper dispensing, includes mounting materials.



Dimensions 300 x 425 x 210 mm (W x H x D)

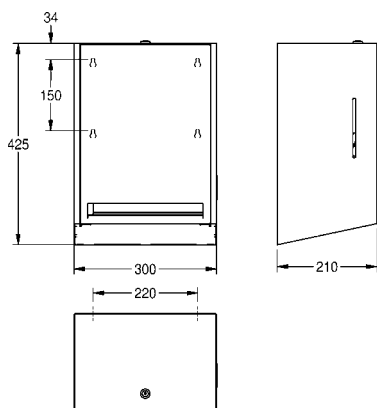
**EXOS637X** 2030022950

InoxPlus-coated main housing, black toughened safety glass front panel

**EXOS637B** 2030022951

InoxPlus-coated main housing, white toughened safety glass front panel

**EXOS637W** 2030025233





Type

Article Number

**INOX PLUS****EXOS. paper towel dispenser for wall mounting**

Paper towel dispenser for wall mounting, stainless steel with satin finish, front and casing with InoxPlus surface refinement for the reduction of finger marks and better cleaning characteristics (easy to clean), material thickness 1.2 mm, inspection window on side, capacity 300 - 400 pieces of Z-folded paper, includes mounting materials.



Dimensions 300 x 325 x 120 mm (W x H x D)

**EXOS600X** 2030022933

InoxPlus-coated main housing, black toughened safety glass front panel

**EXOS600B** 2030022934

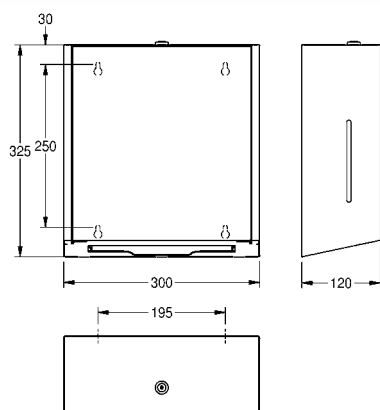
InoxPlus-coated main housing, white toughened safety glass front panel

**EXOS600W** 2030025229

Consumables

Folded paper towels, 225 items per pack, 20 packs per case

**FH70P** 2030072378

**INOX PLUS****EXOS. paper towel dispenser for recessed mounting**

Paper towel dispenser for recessed mounting, stainless steel with satin finish, front and casing with InoxPlus surface refinement for the reduction of finger marks and better cleaning characteristics (easy to clean), material thickness 1.2 mm, capacity 300 - 400 pieces of Z-folded paper, includes mounting materials.



Dimensions 304 x 500 x 120 mm (W x H x D)

**EXOS600EX** 2030034624

InoxPlus-coated main housing, black toughened safety glass front panel

**EXOS600EB** 2030034625

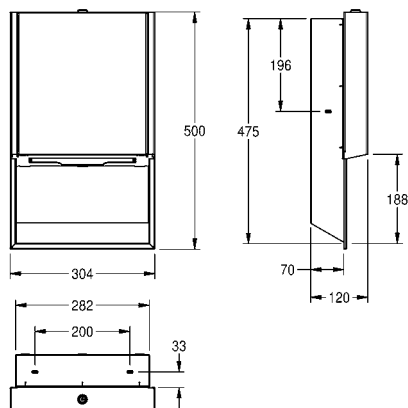
InoxPlus-coated main housing, white toughened safety glass front panel

**EXOS600EW** 2030034662

Consumables

Folded paper towels, 225 items per pack, 20 packs per case

**FH70P** 2030072378



# EXOS. Waste bins

Type	Article Number
------	----------------

**INOX PLUS**

## EXOS. waste bin for wall mounting

Waste bin for wall mounting, stainless steel with satin finish, front and casing with InoxPlus surface refinement for the reduction of finger marks and better cleaning characteristics (easy to clean), material thickness 1.2 mm, capacity approximate 30 litres, integrated bag holder, includes mounting bracket and mounting materials.



Dimensions 300 x 572 x 250 mm (W x H x D)

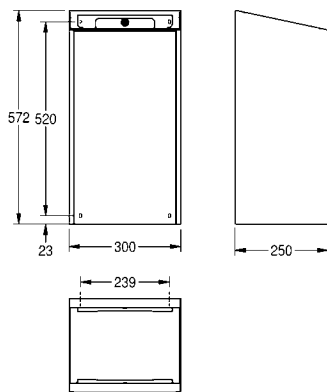
**EXOS605X** 2030022928

InoxPlus-coated main housing, black toughened safety glass front panel

**EXOS605B** 2030022929

InoxPlus-coated main housing, white toughened safety glass front panel

**EXOS605W** 2030025228



**INOX PLUS**

## EXOS. waste bin for recessed mounting

Waste bin for recessed mounting, stainless steel with satin finish, front and casing with InoxPlus surface refinement for the reduction of finger marks and better cleaning characteristics (easy to clean), material thickness 1.2 mm, capacity approximate 30 litres, integrated bag holder, includes mounting materials.



Dimensions 304 x 790 x 251 mm (W x H x D)

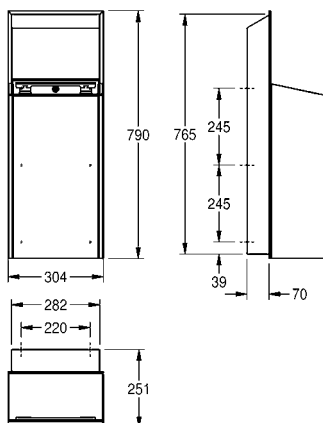
**EXOS605EX** 2030034628

InoxPlus-coated main housing, black toughened safety glass front panel

**EXOS605EB** 2030034629

InoxPlus-coated main housing, white toughened safety glass front panel

**EXOS605EW** 2030034664



**INOX PLUS****EXOS. hygiene waste bin for wall mounting**

Hygiene waste bin for wall mounting, stainless steel with satin finish and InoxPlus surface refinement for the reduction of finger marks and better cleaning characteristics (easy to clean), material thickness 1.2 mm, capacity approx. 3.7 litres, hinged self-closing front, integrated plastic container for waste removal, includes mounting materials.

Dimensions 230 x 346 x 125 mm (W x H x D)

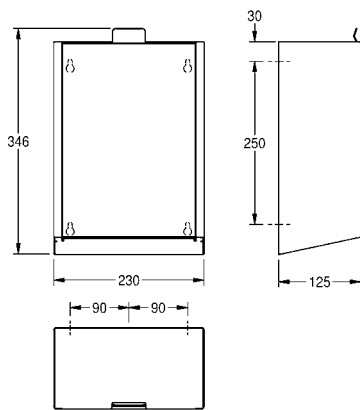
**EXOS611X** 2030028001

InoxPlus-coated main housing, black toughened safety glass front panel

**EXOS611B** 2030030108

InoxPlus-coated main housing, white toughened safety glass front panel

**EXOS611W** 2030030111

**INOX PLUS****EXOS. hygiene waste bin for recessed mounting**

Hygiene waste bin for recessed mounting, stainless steel with satin finish and InoxPlus surface refinement for the reduction of finger marks and better cleaning characteristics (easy to clean), material thickness 1.2 mm, capacity approx. 3.7 litres, hinged self-closing front, integrated plastic container for waste removal, includes mounting materials.

Dimensions 234 x 332 x 125 mm (W x H x D)

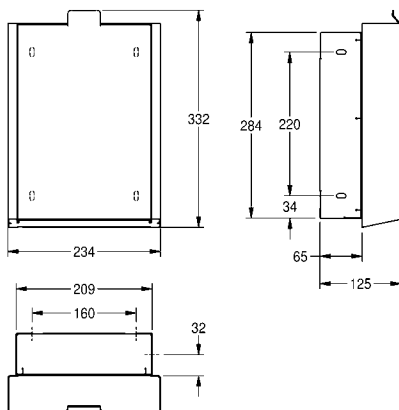
**EXOS611EX** 2030034630

InoxPlus-coated main housing, black toughened safety glass front panel

**EXOS611EB** 2030034631

InoxPlus-coated main housing, white toughened safety glass front panel

**EXOS611EW** 2030034665



# EXOS. Combination, toilet roll holders, toilet brush holder

Type Article Number



**INOX PLUS**

## EXOS. paper towel dispenser and waste bin combination for recessed mounting

Paper towel dispenser and waste bin combination for recessed mounting, stainless steel with satin finished, front with InoxPlus surface refinement for the reduction of finger marks and better cleaning characteristics (easy to clean), material thickness 1.2 mm, capacity paper towel dispenser 300 - 400 pieces of Z-folded paper depending on convolution, waste bin with approx. 30 liter capacity, integrated bag holder, includes mounting bracket and mounting materials.

Dimensions 304 x 1166 x 251 mm (W x H x D)

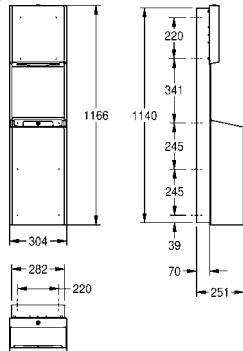
**EXOS602EX** 2030034626

InoxPlus-coated main housing, black toughened safety glass front panel

**EXOS602EB** 2030034627

InoxPlus-coated main housing, white toughened safety glass front panel

**EXOS602EW** 2030034663



**INOX PLUS**

## EXOS. double toilet roll holder for wall mounting

Double toilet roll holder with spindle system for wall mounting, stainless steel with satin finish and InoxPlus surface refinement for the reduction of finger marks and better cleaning characteristics (easy to clean), material thickness 1.2 mm, closed casing, for two rolls with a maximum diameter of 120 mm, when the first roll is used up, the hidden spare roll is released by sliding the bottom cover on the opposite side, includes mounting materials.

Dimensions 280 x 193 x 147 mm (W x H x D)

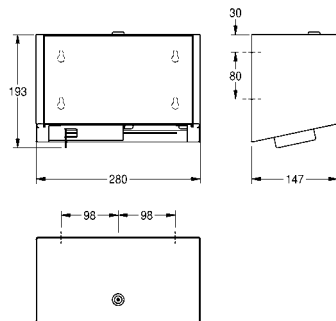
**EXOS676X** 2030033180

InoxPlus-coated main housing, black toughened safety glass front panel

**EXOS676B** 2030034645

InoxPlus-coated main housing, white toughened safety glass front panel

**EXOS676W** 2030034670



**INOX PLUS**

## EXOS. double toilet roll holder for recessed mounting

Double toilet roll holder with spindle system for recessed mounting, stainless steel with satin finish and InoxPlus surface refinement for the reduction of finger marks and better cleaning characteristics (easy to clean), material thickness 1.2 mm, closed casing, for two rolls with a maximum diameter of 120 mm, when the first roll is used up, the hidden spare roll is released by sliding the bottom cover on the opposite side, includes mounting materials.

Dimensions 284 x 350 x 147 mm (W x H x D)

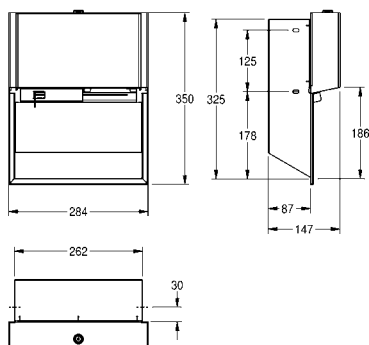
**EXOS676EX** 2030034642

InoxPlus-coated main housing, black toughened safety glass front panel

**EXOS676B** 2030034644

InoxPlus-coated main housing, white toughened safety glass front panel

**EXOS676EW** 2030034669



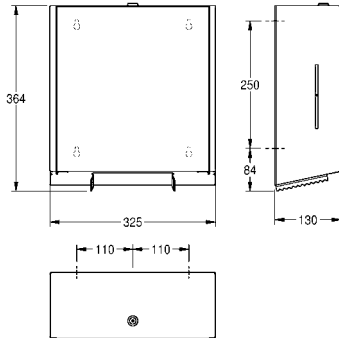
**INOX PLUS****EXOS. Jumbo toilet roll holder**

Jumbo toilet roll holder for wall mounting, chromium nickel steel, with satin finish and InoxPlus surface refinement for the reduction of finger marks making it easier to clean. Material thickness 1.2 mm, closed casing with inspection windows on the side, paper dispensed over two serrated tear-off edges, cylinder lock with KWC Professional standard key, for one jumbo roll with a maximum diameter of 280 mm and a tube measuring 40 mm, includes mounting materials.

Dimensions 325 x 364 x 130 mm (W x H x D)

**EXOS670X**

2030028245

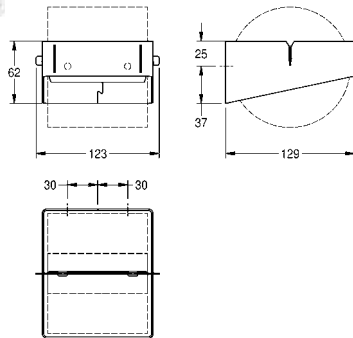
**INOX PLUS****EXOS. toilet roll holder**

Toilet roll holder for wall mounting, stainless steel with satin finish and InoxPlus surface refinement, material thickness 1.5 mm, for rolls with a maximum diameter of 120 mm, stainless steel spindle with integrated roll stop function, includes mounting materials.

Dimensions 123 x 62 x 129 mm (W x H x D)

**EXOS675X**

2030031170

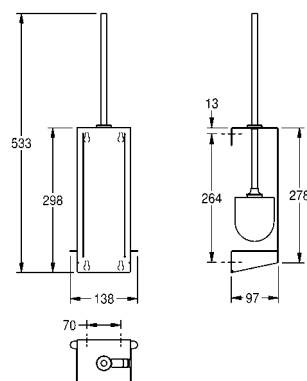
**INOX PLUS****EXOS. toilet brush holder**

Toilet brush holder for wall mounting, stainless steel with satin finish and InoxPlus surface refinement, material thickness 1.5 mm, closed casing to the front, brush withdrawal at the right, brush with stainless steel handle and black nylon brush head, removable plastic drip tray, includes mounting materials.

Dimensions 110 x 298 x 97 mm (W x H x D)

**EXOS687X**

2030027995



## STRATOS Accessories





With STRATOS accessories, the sanitary facilities stay cleaner for longer, this is due to the front of these products being coated with the proven InoxPlus surface treatment.

In this process, nano-particles interlock with the molecules of the metal surface and nestle closely up against microscopic imperfections. This results in an extremely fine structure makes fingerprints almost invisible. The series includes products for both wall and recessed mounting.

#### Accessories for wall mounting and recessed mounting

<b>KWC</b> STRATOS Soap dispenser	256
<b>KWC</b> STRATOS Disinfectant dispensers	258
<b>KWC</b> STRATOS Hand dryer, paper towel dispensers	259
<b>KWC</b> STRATOS Waste bins, combinations	262
<b>KWC</b> STRATOS Toilet roll holders	265
<b>KWC</b> STRATOS Hygiene bag dispensers, toilet seat paper dispensers toilet brush holders, clothes hooks, shelves	267

# STRATOS Soap dispensers

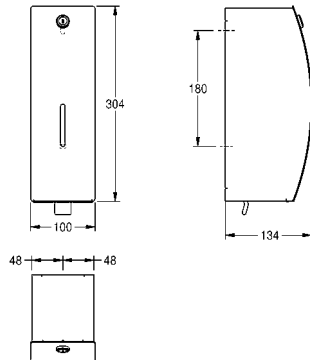
Type	Article Number
------	----------------



**INOX PLUS**

## STRATOS soap dispenser for wall mounting

Soap dispenser for wall mounting, stainless steel, surface satin finished, front with InoxPlus surface refinement for the reduction of finger marks and better cleaning characteristics (easy to clean), material thickness 1.5 mm, curved front cover, cylinder lock with KWC Professional standard key, inspection window on front, suitable for liquid soaps and lotions, 0.8 liter soap tank, with plastic pull lever, includes stainless steel screws and dowels.



Dimensions 100 x 304 x 134 mm (W x H x D)

**STR618** 2000057379

Consumables

Liquid soap, 1 litre, 6 bottles per pack

**SO1LP** 2030058103

Liquid soap, in 10 litre canister

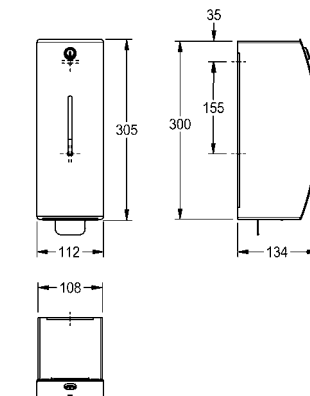
**SO10L** 2000057168



**INOX PLUS**

## STRATOS foam soap dispenser for wall mounting

Foam soap dispenser for wall mounting, stainless steel, surface satin finished, front with InoxPlus surface refinement for the reduction of finger marks and better cleaning characteristics (easy to clean), material thickness 1.5 mm, curved front cover, cylinder lock with KWC Professional standard key, inspection window on front, suitable for KWC Professional foam soap, one bottle 650 ml foam soap included in first delivery, stainless steel pull lever, includes stainless steel screws and dowels.



Dimensions 112 x 305 x 134 mm (W x H x D)

**STR616** 2000100001

Consumables

Foam soap cartridge, 650 ml, 9 cartridges per pack

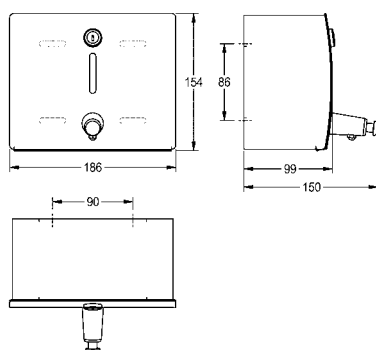
**EXINX616FP** 2030058766



**INOX PLUS**

## STRATOS soap dispenser for wall mounting

Soap dispenser for wall mounting, stainless steel, surface satin finished, front with InoxPlus surface refinement for the reduction of finger marks and better cleaning characteristics (easy to clean), material thickness 1.5 mm, curved front cover, cylinder lock with KWC Professional standard key, inspection window on front, suitable for liquid soaps and lotions, 1 liter soap tank, push button on front, includes stainless steel screws and dowels.



Dimensions 186 x 154 x 150 mm (W x H x D)

**STRX619** 2000057382

Consumables

Liquid soap, 1 litre, 6 bottles per pack

**SO1LP** 2030058103

Liquid soap, in 10 litre canister

**SO10L** 2000057168



**INOX PLUS****STRATOS soap dispenser for recessed mounting**

Soap dispenser for recessed mounting, stainless steel, surface satin finished, front with InoxPlus surface refinement for the reduction of finger marks and better cleaning characteristics (easy to clean), material thickness 1.5 mm, curved front cover with inspection window, cylinder lock with KWC Professional standard key, suitable for liquid soaps and lotions, 1 liter soap tank, push button on front, includes stainless steel screws and dowels.

Dimensions 211 x 181 x 159 mm (W x H x D)

**STRX619E** 2000057385

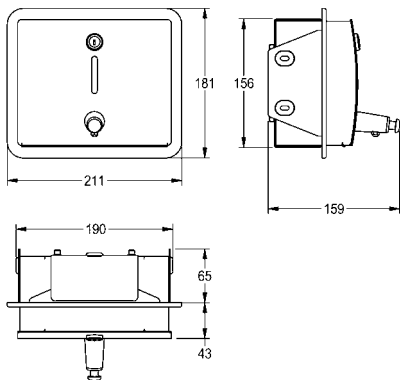
## Consumables

Liquid soap, 1 litre, 6 bottles per pack

**SO1LP** 2030058103

Liquid soap, in 10 litre canister

**SO10L** 2000057168

**INOX PLUS****STRATOS electronic soap dispenser for wall mounting**

Touch free soap dispenser for wall mounting, stainless steel, surface satin finished, front with InoxPlus surface refinement for the reduction of finger marks and better cleaning characteristics (easy to clean), material thickness 1.5 mm, curved front cover, cylinder lock with KWC Professional standard key, inspection window on front, infrared sensor activity for non-touch operation, red light shows battery status, includes 6 pcs. 1.5 V Alkaline AA batteries, suitable for liquid soaps and lotions, 0.8 liter soap tank, depending on soap between 0.6 and 1.1 ml is dispensed, mounting height 300 mm above wash basin or table top, includes stainless steel screws and dowels.

Dimensions 120 x 303 x 126 mm (W x H x D)

**STRX625** 2000057388

## Optional accessories

Hose with outlet valve for disinfectant

**EACCS057** 2000103334

Stand Premium, for KWC Professional touch-free disinfectant/soap dispensers

**GLX2020** 2030062801

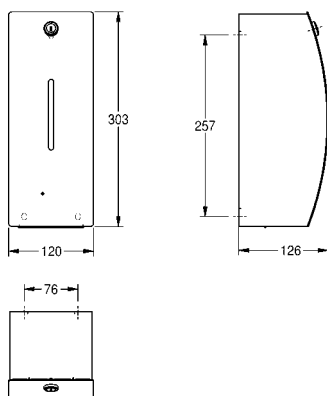
## Consumables

Liquid soap, 1 litre, 6 bottles per pack

**SO1LP** 2030058103

Liquid soap, in 10 litre canister

**SO10L** 2000057168



# STRATOS Disinfectant dispensers, hand dryer, paper towel dispensers

Type

Article Number



**INOX PLUS**

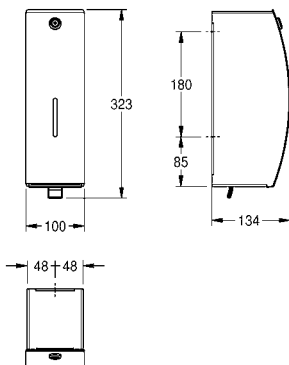
## STRATOS disinfectant dispenser for wall mounting

RODAN, disinfectant dispenser, touch-free, for wall mounting, stainless steel with satin finish, material thickness 0,8 mm, folded front cover, cylinder lock with KWC Professional standard key, inspection window on side, front cover with operating instructions, infrared sensor activity for non-touch operation, red light shows battery status, requires 6 pieces 1,5 V Alkaline AA batteries, suitable for disinfectant and lotions, includes 800 ml refill tank, depending on disinfectant between 0,6 and 1,1 ml is dispensed, mounting height at least 300 mm above wash basin or table top, includes mounting materials.

Dimensions 100 x 304 x 134 mm (W x H x D)

**STRX629**

2030062581



**INOX PLUS**

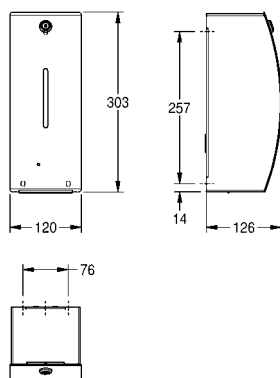
## STRATOS electronic disinfectant dispenser for wall mounting

STRATOS, disinfectant dispenser, touch free, for wall mounting, stainless steel with satin finish, front with InoxPlus surface refinement for the reduction of finger marks and better cleaning characteristics (easy to clean), material thickness 1,5 mm, curved front cover, cylinder lock with KWC Professional standard key, inspection window on front, front cover with operating instructions, infrared sensor activity for non-touch operation, red light shows battery status, includes 6 pieces 1,5 V Alkaline AA batteries, suitable for disinfectant and lotions, includes 800 ml refill tank, depending on disinfectant between 0,6 and 1,1 ml is dispensed, mounting height at least 300 mm above wash basin or table top, includes mounting materials.

Dimensions 120 x 303 x 126 mm (W x H x D)

**STRX627**

2030062519



Optional accessories

Stand Premium, for KWC Professional touch-free disinfectant/soap dispensers

**GLX2020**

2030062801



## Premium Stand

Premium Stand, free-standing, stainless steel with satin finish, material thickness 1.5 mm, comes with black plastic drip tray, provision threaded holes and fixing screws, compatible to mount KWC Professional touch-free disinfectant/soap dispensers, mounting material included.

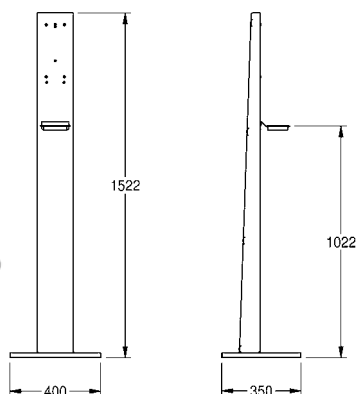
Dimensions 400 x 1522 x 350 mm (W x H x D)

Dimensions base plate 400 x 22 x 350 mm (W x H x D)

Dispensers not in scope of delivery.

**GLX2020**

2030062801



**INOX PLUS****STRATOS electronic hand dryer**

Touch free electronic warm air hand dryer for wall mounting, stainless steel, surface satin finished, front with InoxPlus surface refinement for the reduction of finger marks and better cleaning characteristics (easy to clean), material thickness 1.5mm, curved front cover, infra-red sensor activity for non-touch operation, adjustable warm air temperature, sensor range adjustable from 10 to 25 cm, automatic power shut-off after 60 seconds, adjustable air velocity allows to shorten the drying time considerably, cable and plug not included.

Operating voltage 220-240V AC, 50-60 Hz

Total power 800-1000 W

Heater 500 W

Motor 500 W

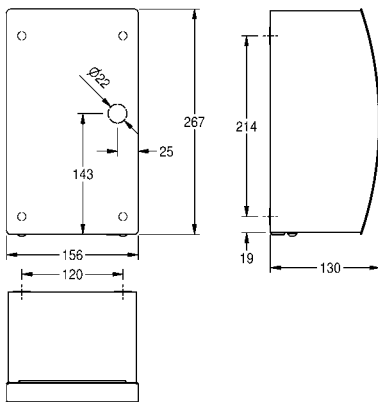
Air volume 80 m<sup>3</sup>/h

Air velocity 95 - 115 m/s

Dimensions 156 x 267 x 130 mm (W x H x D)

**STRX220**

2030027296

**INOX PLUS****STRATOS paper towel dispenser for wall mounting**

Paper towel dispenser for wall mounting, stainless steel, surface satin finished, front with InoxPlus surface refinement for the reduction of finger marks and better cleaning characteristics (easy to clean), material thickness 1.5 mm, curved front cover, cylinder lock with KWC Professional standard key, inspection window on front, loading capacity 300 - 400 pcs. of paper depending on convolution, includes stainless steel screws and dowels.

Dimensions 300 x 305 x 134 mm (W x H x D)

**STRX600**

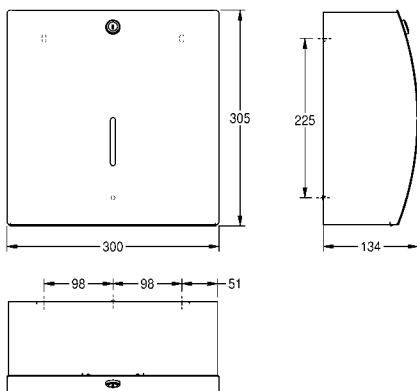
2000057205

Consumables

Folded paper towels, 225 items per pack, 20 packs per case

**FH70P**

2030072378



# STRATOS Paper towel dispensers, combination

Type

Article Number



**INOX PLUS**

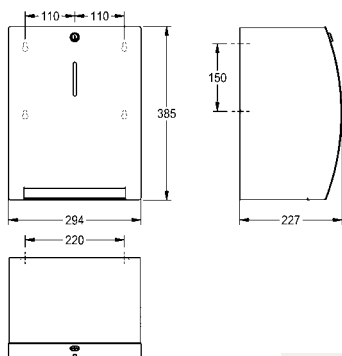
## STRATOS paper towel dispenser for wall mounting

Manual paper towel dispenser for wall mounting, stainless steel, surface satin finished, front with InoxPlus surface refinement for the reduction of finger marks and better cleaning characteristics (easy to clean), material thickness 1.5 mm, curved front with inspection window, cylinder lock with KWC Professional standard key, capacity 1 paper roll, paper comes automatically out to pull with hand, maintenance free mechanic, electrical connection or batteries are not required, easypaper roll change mechanism, for rolls with max. width 205 mm and max. diameter 200 mm, paper length is not adjustable - one length 260 mm, includes stainless steel screws and dowels.

Dimensions 294 x 385 x 227 mm (W x H x D)

**STRX637**

2000110533



**INOX PLUS**

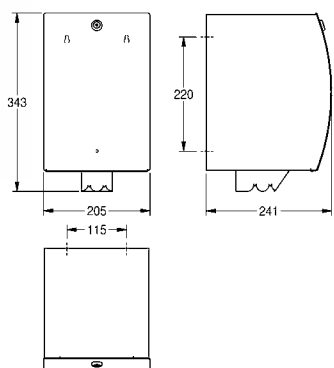
## STRATOS paper towel dispenser for wall mounting

Centerfed paper roll box for wall mounting, stainless steel, surface satin finished, front with InoxPlus surface refinement for the reduction of finger marks and better cleaning characteristics (easy to clean), material thickness 1.5 mm, curved front cover, cylinder lock with KWC Professional standard key, for paper rolls with max. diameter 190 mm and max. height of 250 mm, only for centerfed paper rolls, integrated w/ stainless steel tear-off edge and strain relief avoiding paper tear-off within casing, includes stainless steel screws and dowels.

Dimensions 205 x 343 x 241 mm (W x H x D)

**STRX635B**

2030025051



**INOX PLUS**

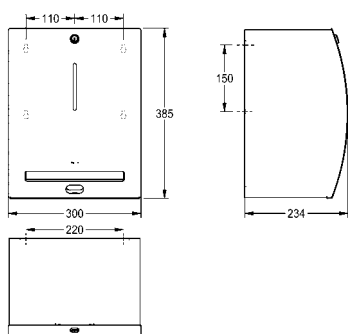
## STRATOS electronic paper towel dispenser for wall mounting

Touch free paper towel dispenser for wall mounting, stainless steel, surface satin finished, front with InoxPlus surface refinement for the reduction of finger marks and better cleaning characteristics (easy to clean), material thickness 1.5 mm, curved front cover, cylinder lock with KWC Professional standard key, infrared sensor activity for non-touch operation, integrated tear-off edge, incl. 4 pcs. standard D 1.5 V batteries, maintenance free mechanic and easy paper roll change mechanism, for rolls with max. width 205 mm and max. diameter 200 mm, paper length adjustable to 200, 250 and 300 mm, includes stainless steel screws and dowels.

Dimensions 300 x 383 x 234 mm (W x H x D)

**STRX630**

2000057390



**INOX PLUS****STRATOS paper towel/soap dispenser combination for wall mounting**

Paper towel-, soap dispenser combination for wall mounting, stainless steel, surface satin finished, front with InoxPlus surface refinement for the reduction of finger marks and better cleaning characteristics (easy to clean), material thickness 1.5 mm, curved front cover, cylinder lock with KWC Professional standard key, inspection windows on front, paper towel dispenser with loading capacity 300 - 400 pcs. of paper depending on convolution, suitable for liquid soaps and lotions, 0.8 liter soap tank, push lever, includes stainless steel screws and dowels.

Dimensions 396 x 304 x 134 mm (W x H x D)

**STRX601** 2000057209

## Consumables

Liquid soap, 1 litre, 6 bottles per pack

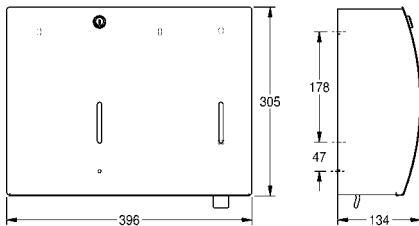
**SO1LP** 2030058103

Liquid soap, in 10 litre canister

**SO10L** 2000057168

Folded paper towels, 225 items per pack, 20 packs per case

**FH70P** 2030072378

**INOX PLUS****STRATOS paper towel/soap dispenser combination for recessed mounting**

Paper towel-, soap dispenser combination for recessed mounting, stainless steel, surface satin finished, front with InoxPlus surface refinement for the reduction of finger marks and better cleaning characteristics (easy to clean), material thickness 1.5 mm, curved front cover, cylinder lock with KWC Professional standard key, inspection windows on front, paper towel dispenser with loading capacity 300 - 400 pcs. of paper depending on convolution, suitable for liquid soaps and lotions, 0.8 liter soap tank, push lever, includes stainless steel screws and dowels.

Dimensions 424 x 632 x 147 mm (W x H x D)

**STRX601E** 2000057226

## Consumables

Liquid soap, 1 litre, 6 bottles per pack

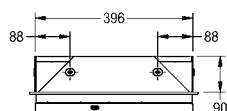
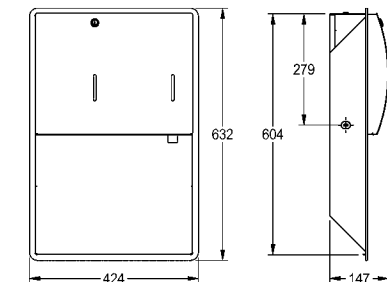
**SO1LP** 2030058103

Liquid soap, in 10 litre canister

**SO10L** 2000057168

Folded paper towels, 225 items per pack, 20 packs per case

**FH70P** 2030072378



# STRATOS Waste bins

Type

Article Number



**INOX PLUS**

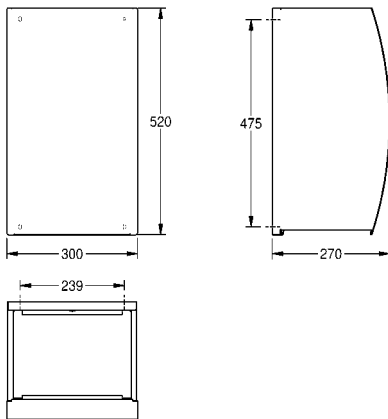
## STRATOS waste bin for wall mounting

Waste bin for wall mounting, stainless steel, surface satin finished, front with InoxPlus surface refinement for the reduction of finger marks and better cleaning characteristics (easy to clean), material thickness 1.5 mm, curved front cover, cylinder lock with KWC Professional standard key, approx. 34 liter capacity, integrated bag holder, includes stainless steel screws and dowels.

Dimensions 300 x 520 x 270 mm (W x H x D)

**STRX605**

2000057228



**INOX PLUS**

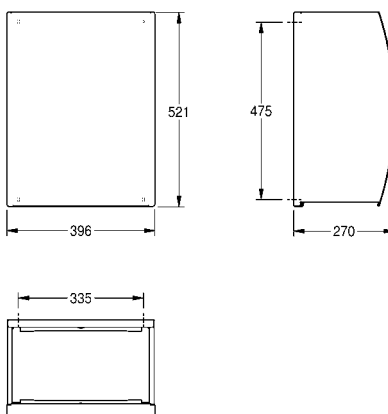
## STRATOS waste bin for wall mounting

Waste bin for wall mounting, stainless steel, surface satin finished, front with InoxPlus surface refinement for the reduction of finger marks and better cleaning characteristics (easy to clean), material thickness 1.5 mm, curved front cover, cylinder lock with KWC Professional standard key, approx. 45 liter capacity, integrated bag holder, includes stainless steel screws and dowels.

Dimensions 396 x 521 x 270 mm (W x H x D)

**STRX607**

2000057230



**INOX PLUS****STRATOS folding self-closing lid for waste bin**

Folding self-closing lid for waste bin STRX607, stainless steel, surface satin finished, front with InoxPlus surface refinement for the reduction of finger marks and better cleaning characteristics (easy to clean), material thickness 1.5 mm, inclined front with selfclosing lid, cylinder lock with KWC Professional standard key, includes stainless steel screws and dowels, without waste bin.

Dimensions 396 x 183 x 229 mm (W x H x D)

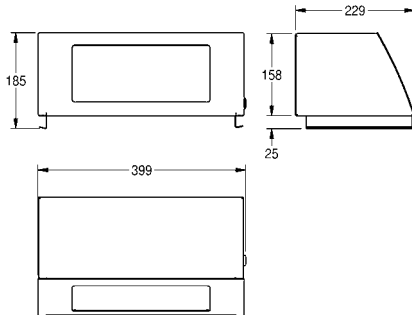
**STRX608** 2000057231

Necessary accessories

Waste bin for wall mounting

Dimensions 396 x 521 x 270 mm (W x H x D)

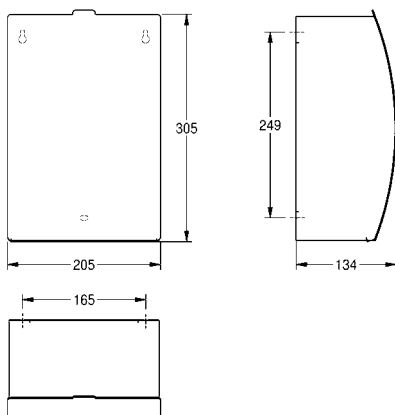
**STRX607** 2000057230

**INOX PLUS****STRATOS hygiene waste bin for wall mounting**

Sanitary towel and disposal bin for wall mounting, stainless steel, surface satin finished, front with InoxPlus surface refinement for the reduction of finger marks and better cleaning characteristics (easy to clean), material thickness 1.5 mm, curved front cover, approx. 3.8 liter capacity, folding self-closing lid with piano hinge, removable plastic container inside, includes stainless steel screws and dowels.

Dimensions 205 x 305 x 134 mm (W x H x D)

**STRX611** 2000057375



# STRATOS Waste bins, combination, toilet roll holders

Type Article Number



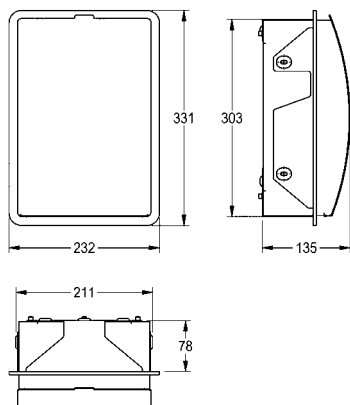
**INOX PLUS**

## STRATOS hygiene waste bin for recessed mounting

Sanitary towel and disposal bin for recessed mounting, stainless steel, surface satin finished, front with InoxPlus surface refinement for the reduction of finger marks and better cleaning characteristics (easy to clean), material thickness 1.5 mm, curved front cover, approx. 3.8 liter capacity, folding selfclosing lid with piano hinged, removable plastic container inside, includes stainless steel screws and dowels.

Dimensions 232 x 331 x 141 mm (W x H x D)

**STRX611E** 2000057376



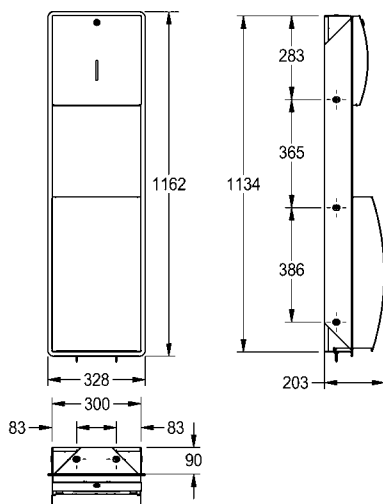
**INOX PLUS**

## STRATOS paper towel/waste bin combination for recessed mounting

Paper towel dispenser, waste bin combination for recessed mounting, stainless steel, surface satin finished, front with InoxPlus surface refinement for the reduction of finger marks and better cleaning characteristics (easy to clean), material thickness 1.5 mm, curved front cover, cylinder lock with KWC Professional standard key, inspection windows on front, loading capacity 300 - 400 pcs. of paper depending on convolution, waste bin with approx. 22 liter capacity, integrated bag holder, includes stainless steel screws and dowels.

Dimensions 328 x 1162 x 203 mm (W x H x D)

**STRX602E** 2000057227





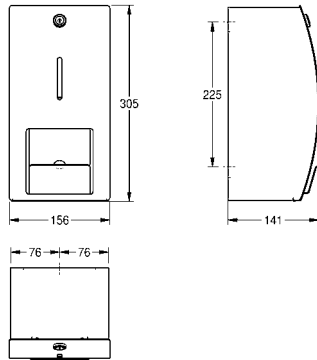
**INOX PLUS****STRATOS toilet roll holder for wall mounting**

Double toilet roll holder for wall mounting, stainless steel, surface satin finished, front with InoxPlus surface refinement for the reduction of finger marks and better cleaning characteristics (easy to clean), material thickness 1.5 mm, curved front cover, cylinder lock with KWC Professional standard key, for 2 rolls with max. diameter 120 mm, second roll will be released after consumption of first roll, without spindles, includes stainless steel screws and dowels.

Dimensions 156 x 305 x 141 mm (W x H x D)

**STRX671**

2000057395

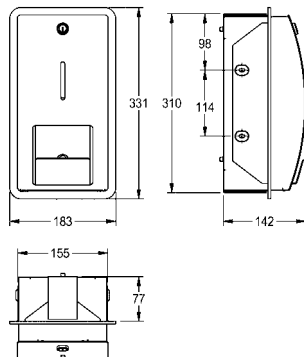
**INOX PLUS****STRATOS toilet roll holder for recessed mounting**

Double toilet roll holder for recessed mounting, stainless steel, surface satin finished, front with InoxPlus surface refinement for the reduction of finger marks and better cleaning characteristics (easy to clean), material thickness 1.5 mm, curved front cover with inspection window, cylinder lock with KWC Professional standard key, for 2 rolls with max. diameter 120 mm, second roll will be released after consumption of first roll, without spindles, includes stainless steel screws and dowels.

Dimensions 183 x 331 x 142 mm (W x H x D)

**STRX671E**

2000057396

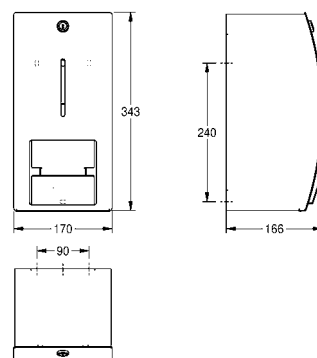
**INOX PLUS****STRATOS toilet roll holder for wall mounting**

Double toilet roll holder without spindle system for wall mounting, stainless steel, surface satin finished, front with InoxPlus surface refinement for the reduction of finger marks and better cleaning characteristics (easy to clean), material thickness 1.5 mm, curved front cover, cylinder lock with KWC Professional standard key, for 2 rolls with max. diameter 140 mm, second roll will be released after consumption of first roll, includes stainless steel screws and dowels.

Dimensions 170 x 343 x 166 mm (W x H x D)

**STRX671L**

2000057397



# STRATOS Toilet roll holders, dispenser

Type

Article Number



**INOX PLUS**

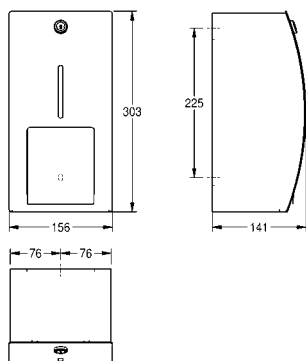
## STRATOS toilet roll holder for wall mounting

Double toilet roll holder with spindle system for wall mounting, stainless steel, surface satin finished, front with InoxPlus surface refinement for the reduction of finger marks and better cleaning characteristics (easy to clean), material thickness 1.5 mm, curved front cover, cylinder lock with KWC Professional standard key, for 2 rolls with max. diameter 120 mm, second roll will be released after consumption of first roll, with spindles, reserve roll not visible, includes stainless steel screws and dowels.

Dimensions 156 x 303 x 141 mm (W x H x D)

**STRX672**

2000057399



**INOX PLUS**

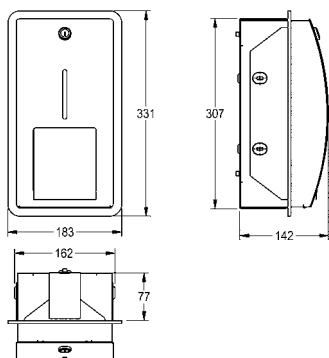
## STRATOS toilet roll holder for recessed mounting

Double toilet roll holder with spindle system for recessed mounting, stainless steel, surface satin finished, front with InoxPlus surface refinement for the reduction of finger marks and better cleaning characteristics (easy to clean), material thickness 1.5 mm, curved front cover with inspection window, cylinder lock with KWC Professional standard key, for 2 rolls with max. diameter 120 mm, second roll will be released after consumption of first roll, reserve roll not visible, includes stainless steel screws and dowels.

Dimensions 183 x 331 x 142 mm (W x H x D)

**STRX672E**

2000057400



**INOX PLUS**

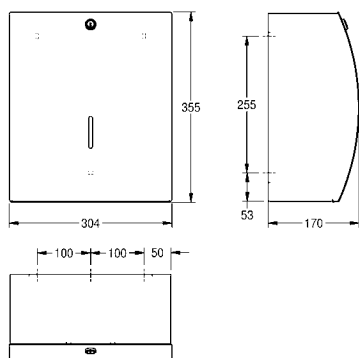
## STRATOS Jumbo roll holder for wall mounting

Jumbo roll holder for wall mounting, stainless steel, surface satin finished, front with InoxPlus surface refinement for the reduction of finger marks and better cleaning characteristics (easy to clean), material thickness 1.5 mm, closed casing with curved front, paper withdrawal over two tear-off edges, cylinder lock with KWC Professional standard key, for 1 roll with max. diameter 295 mm, includes stainless steel screws and dowels.

Dimensions 304 x 355 x 170 mm (W x H x D)

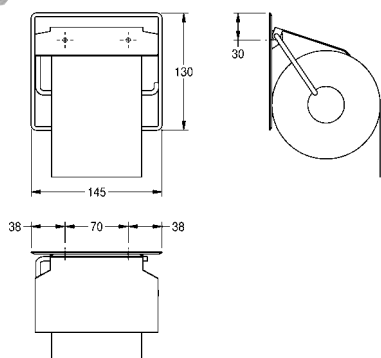
**STRX670**

2000057394



Type

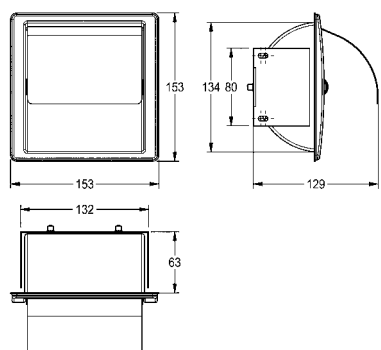
Article Number

**Toilet roll holder for wall mounting**

Toilet roll holder for wall mounting, stainless steel, surface satin finished, material thickness 0.8 mm, folding cover, for 1 roll with max. diameter 130 mm, includes stainless steel screws and dowels.

Dimensions 145 x 130 x 25 mm (W x H x D)

**BS677** 2000057045

**STRATOS toilet roll holder for recessed mounting**

Toilet roll holder for recessed mounting, stainless steel, surface satin finished, material thickness 0.8 mm, curved folding cover, for 1 roll with max. width 130 mm, includes stainless steel screws and dowels.

Dimensions 153 x 153 x 129 mm (W x H x D)

**STRX673E** 2000057422

**INOX PLUS****Hygiene bag dispenser**

Hygiene bag dispenser for wall mounting, stainless steel, surface satin finished with InoxPlus surface refinement for the reduction of finger marks and better cleaning characteristic (easy to clean), material thickness 1.2 mm, edges not welded, inboard lug to hold package, withdrawal from front, incl. premounted double side self-adhesive tap and stainless steel screws and dowels, includes acetone rag to clean bonding surface.

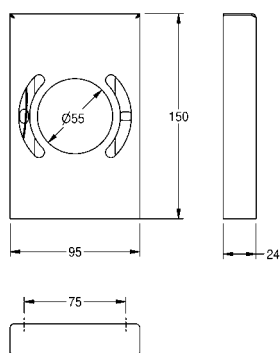
Dimensions 92 x 150 x 22 mm (W x H x D)

**HBD191** 2000057080

Consumables

Hygiene bag, 30 items per box, 50 boxes per case

**HBD191BP** 2030058764



# STRATOS Dispensers, toilet brush holder, accessories

Type Article Number



**INOX PLUS**

## STRATOS hygiene bag dispenser

Hygiene bag dispenser for wall mounting, stainless steel, surface satin finished, with InoxPlus surface refinement for the reduction of finger marks and better cleaning characteristics (easy to clean), material thickness 1.2 / 1.5 mm, with inspection window, includes stainless steel screws and dowels.

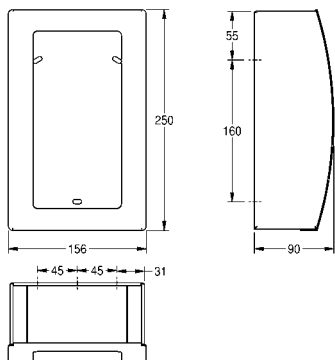
Dimensions 156 x 250 x 90 mm (W x H x D)

**STRX615** 2000100014

Consumables

Hygiene bag made of paper, 100 items per pack, 10 packs per case

**HB140P** 2030058765



**INOX PLUS**

## STRATOS toilet seat paper dispenser

Toilet seat paper dispenser for wall mounting, stainless steel, surface satin finished, front with InoxPlus surface refinement for the reduction of finger marks and better cleaning characteristics (easy to clean), material thickness 1.5 mm, curved front cover with oval aperture, cylinder lock with KWC Professional standard key, for KWC Professional seat paper or others, includes stainless steel screws and dowels.

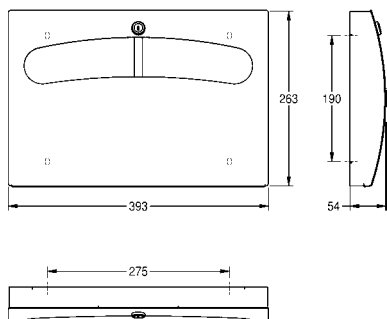
Dimensions 393 x 263 x 54 mm (W x H x D)

**STRX680** 2000057401

Consumables

Toilet seat paper (box of 250 sheets)

**E-STRX680** 2000100018



**INOX PLUS**

## STRATOS toilet brush holder

Toilet brush holder for wall mounting, stainless steel, surface satin finished, front with InoxPlus surface refinement for the reduction of finger marks and better cleaning characteristics (easy to clean), material thickness 1.5 mm, curved front cover, white nylon brush with flushing rim cleaner, withdrawal opening either left or right, depending on mounting, removable plastic drop tray, includes stainless steel screws and dowels.

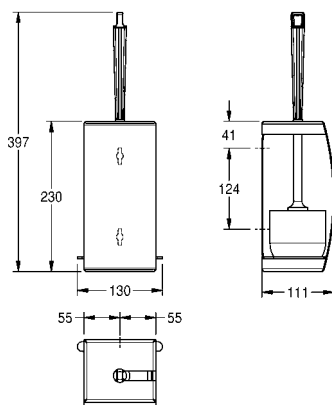
Dimensions 110 x 230 x 110 mm (W x H x D)

**STRX687** 2000057403

Optional accessories

Toilet brush for toilet brush set RODX687, STRX687, black nylon, stainless steel handle

**E-STRX687** 2000100020



Type

Article Number

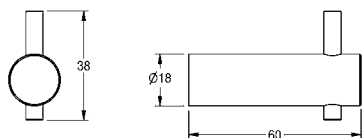
**STRATOS clothes hook**

Hook for wall mounting, stainless steel, surface satin finished, 18 mm pipe diameter, drilled hole on bottom for fixation, includes stainless steel screws and dowels.

Dimensions 18 x 38 x 60 mm (W x H x D)

**STRX692**

2000057979

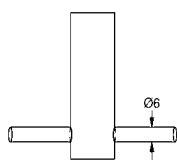
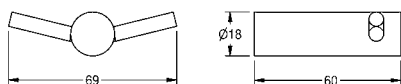
**STRATOS clothes hook**

Double hook for wall mounting, stainless steel, surface satin finished, 18 mm pipe diameter, drilled hole on bottom for fixation, includes stainless steel screws and dowels.

Dimensions 69 x 18 x 60 mm (W x H x D)

**STRX694**

2000057985

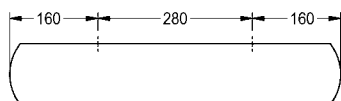
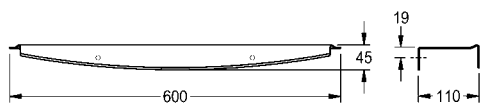
**INOX PLUS****STRATOS shelf**

Shelf for wall mounting, stainless steel, surface satin finished, front with InoxPlus surface refinement for the reduction of finger marks and better cleaning characteristics (easy to clean), material thickness 2 mm, rounded edges, protection edge at front, includes stainless steel screws and dowels.

Dimensions 600 x 45 x 110 mm (W x H x D)

**STRX624**

2000102701



## RODAN Accessories





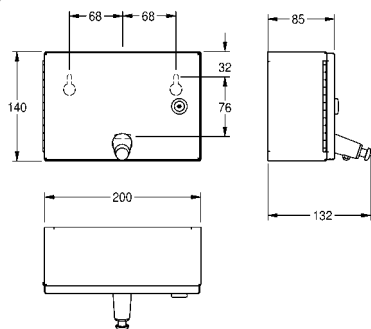
The timeless design of RODAN stainless steel accessories with their angular side profiles lends itself to the unobtrusive decor of heavily frequented washrooms. With these accessories, architects and users can create economically efficient, flexible designs for sanitary facilities using either wall or recessed mounting options.

#### Accessories for wall mounting and recessed mounting

<b>KWC</b> RODAN Soap dispenser	272
<b>KWC</b> RODAN Disinfectant dispensers	274
<b>KWC</b> RODAN Hand dryer, paper towel dispensers	275
<b>KWC</b> RODAN Waste bins, disposal flap, -chute	277
<b>KWC</b> RODAN Combinations	282
<b>KWC</b> RODAN Toilet roll holders, hygiene bag dispenser, toilet brush holder	284

# RODAN Soap dispensers

Type	Article Number
------	----------------



## RODAN soap dispenser for wall mounting

Soap dispenser for wall mounting, stainless steel, surface satin finished, material thickness 0.8 mm, folded front cover, cylinder lock with KWC Professional standard key, suitable for liquid soaps and lotions, 1 liter soap tank, push button on front, includes stainless steel screws and dowels.

Dimensions 200 x 140 x 132 mm (W x H x D)

<b>RODX619</b>	2000090068
----------------	------------

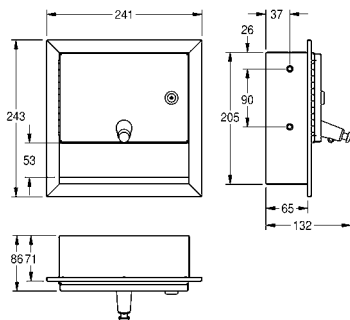
### Consumables

Liquid soap, 1 litre, 6 bottles per pack

<b>SO1LP</b>	2030058103
--------------	------------

Liquid soap, in 10 litre canister

<b>SO10L</b>	2000057168
--------------	------------



## RODAN soap dispenser for recessed mounting

Soap dispenser for recessed mounting, stainless steel, surface satin finished, material thickness 0.8 mm, folded front cover, cylinder lock with KWC Professional standard key, suitable for liquid soaps and lotions, 1 liter soap tank, push button on front, includes stainless steel screws and dowels.

Dimensions 241 x 243 x 132 mm (W x H x D)

<b>RODX619E</b>	2000090069
-----------------	------------

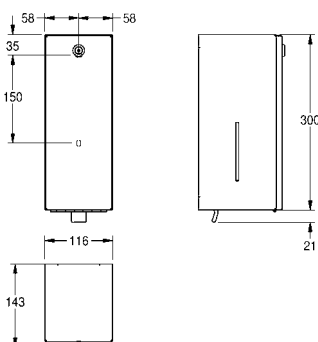
### Consumables

Liquid soap, 1 litre, 6 bottles per pack

<b>SO1LP</b>	2030058103
--------------	------------

Liquid soap, in 10 litre canister

<b>SO10L</b>	2000057168
--------------	------------



## RODAN soap dispenser for wall mounting

Soap dispenser for wall mounting, stainless steel, surface satin finished, material thickness 0.8 mm, folded front cover, cylinder lock with KWC Professional standard key, suitable for liquid soaps and lotions, 0.8 liter soap tank, lever to pull, includes stainless steel screws and dowels.

Dimensions 116 x 321 x 143 mm (W x H x D)

<b>RODX618</b>	2000090067
----------------	------------

### Consumables

Liquid soap, 1 litre, 6 bottles per pack

<b>SO1LP</b>	2030058103
--------------	------------

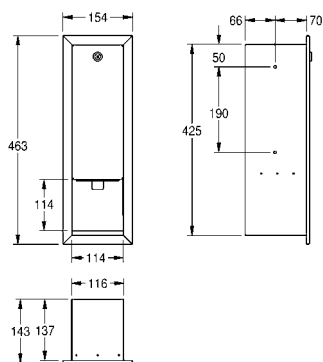
Liquid soap, in 10 litre canister

<b>SO10L</b>	2000057168
--------------	------------



Type

Article Number

**RODAN soap dispenser for recessed mounting**

Soap dispenser for recessed mounting, stainless steel, surface satin finished, material thickness 0.8 mm, folded front cover, cylinder lock with KWC Professional standard key, suitable for liquid soaps and lotions, 0.8 liter soap tank, lever to pull, includes stainless steel screws and dowels.

Dimensions 154 x 463 x 143 mm (W x H x D)

**RODX618E** 2000090066

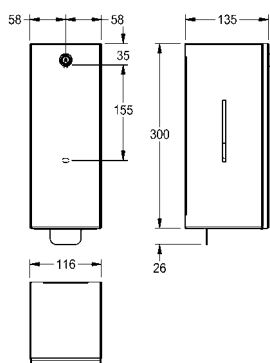
## Consumables

Liquid soap, 1 litre, 6 bottles per pack

**SO1LP** 2030058103

Liquid soap, in 10 litre canister

**SO10L** 2000057168

**RODAN foam soap dispenser for wall mounting**

Foam soap dispenser for wall mounting, stainless steel, surface satin finished, material thickness 0.8 mm, cylinder lock with KWC Professional standard key, inspection windows on sides, suitable for foam soap (not included in scope of delivery), stainless steel pull lever, includes stainless steel screws and dowels.

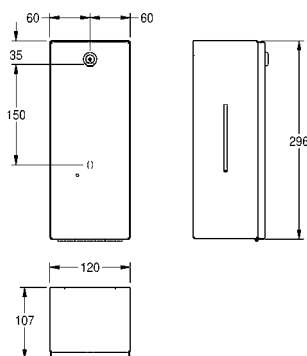
Dimensions 116 x 326 x 135 mm (W x H x D)

**RODX616** 2000101222

## Consumables

Foam soap cartridge, 650 ml, 9 cartridges per pack

**EXINX616FP** 2030058766

**RODAN electronic soap dispenser for wall mounting**

Touch free soap dispenser for wall mounting, stainless steel, surface satin finished, material thickness 0.8 mm, folded front cover, cylinder lock with KWC Professional standard key, infrared sensor activity for non-touch operation, LED-display shows battery status, needs 4 pcs. 1.5 V Alkaline AA batteries, suitable for liquid soaps and lotions, 800 ml soap tank, depending on soap between 0.6 and 1.1 ml is dispensed, mounting height > 300 mm above wash basin or table top, includes stainless steel screws and dowels.

Dimensions 120 x 296 x 107 mm (W x H x D)

**RODX625** 2000090070

## Optional accessories

Hose with outlet valve for disinfectant

**EACCS055** 2000103333

Stand Premium, for KWC Professional touch-free disinfectant/soap dispensers

**GLX2020** 2030062801

## Consumables

Liquid soap, 1 litre, 6 bottles per pack

**SO1LP** 2030058103

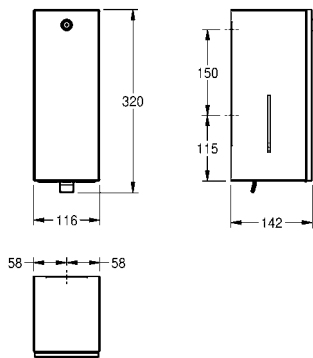
Liquid soap, in 10 litre canister

**SO10L** 2000057168

# RODAN Disinfectant dispensers, hand dryer, paper towel dispensers

Type

Article Number

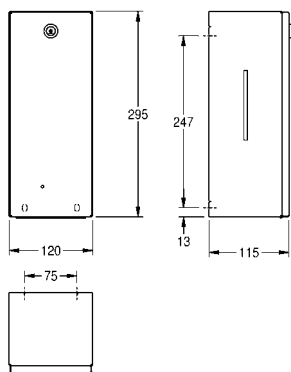


## RODAN disinfectant dispenser for wall mounting

RODAN, disinfectant dispenser, for wall mounting, stainless steel with satin finish, material thickness 0,8 mm, folded front cover, cylinder lock with KWC Professional standard key, inspection window on the side, front cover with application note, suitable for disinfectant and lotions, includes 800 ml refill tank, with plastic pull lever, includes mounting materials. Dimensions 116 x 321 x 143 mm (W x H x D)

**RODX629**

2030062579



## RODAN electronic disinfectant dispenser for wall mounting

RODAN, disinfectant dispenser, touch-free, for wall mounting, stainless steel with satin finish, material thickness 0,8 mm, folded front cover, cylinder lock with KWC Professional standard key, inspection window on side, front cover with operating instructions, infrared sensor activity for non-touch operation, red light shows battery status, requires 6 pieces 1,5 V Alkaline AA batteries, suitable for disinfectant and lotions, includes 800 ml refill tank, depending on disinfectant between 0,6 and 1,1 ml is dispensed, mounting height at least 300 mm above wash basin or table top, includes mounting materials.

Dimensions 120 x 295 x 115 mm (W x H x D)

**RODX627H**

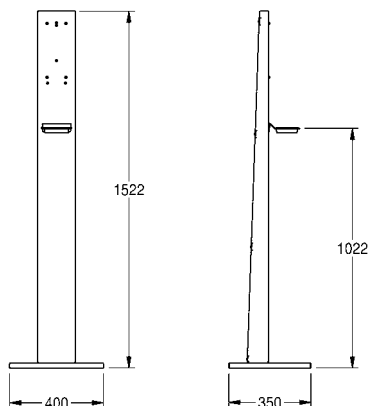
2030062868

Optional accessories

Stand Premium, for KWC Professional touch-free disinfectant/soap dispensers

**GLX2020**

2030062801



## Premium Stand

Premium Stand, free-standing, stainless steel with satin finish, material thickness 1.5 mm, comes with black plastic drip tray, provision threaded holes and fixing screws, compatible to mount KWC Professional touch-free disinfectant/soap dispensers, mounting material included.

Dimensions 400 x 1522 x 350 mm (W x H x D)

Dimensions base plate 400 x 22 x 350 mm (W x H x D)

Dispensers not in scope of delivery.

**GLX2020**

2030062801

Type

Article Number



### RODAN electronic hand dryer

Touch free electronic warm air hand dryer for wall mounting, stainless steel, surface satin finished, material thickness 1.2 mm, infrared sensor activity for non-touch operation, sensor range adjustable from 10 to 30 cm, cable and plug not included.

Connection voltage 230 V, 50 Hz

Total power 2200 W

Heater 2100 W

Motor 100 W

Motor min 2850 U/min

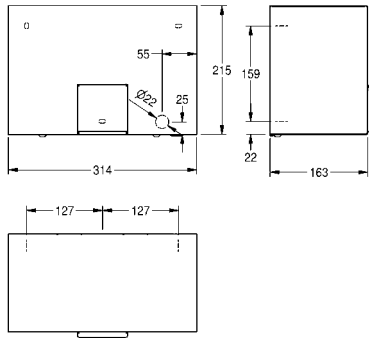
Air volume 274 m<sup>3</sup>/h

Air velocity 15.5 m/s

Dimensions 314 x 215 x 163 mm (W x H x D)

**RODX310**

2000090055



### RODAN paper towel dispenser for wall mounting

Paper towel dispenser for wall mounting, stainless steel, surface satin finished, material thickness 0.8 mm, folded front cover, cylinder lock with KWC Professional standard key, inspection windows on sides, loading capacity 300 - 400 pcs. of paper depending on convolution, includes stainless steel screws and dowels.

Dimensions 275 x 355 x 112 mm (W x H x D)

**RODX600**

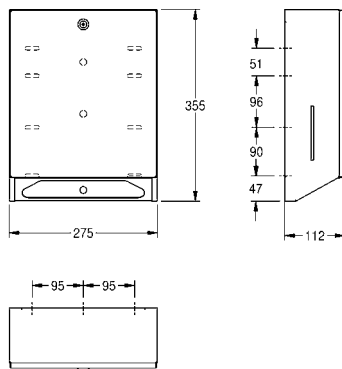
2000090056

Consumables

Folded paper towels, 225 items per pack, 20 packs per case

**FH70P**

2030072378



### RODAN paper towel dispenser for recessed mounting

Paper towel dispenser for recessed mounting, stainless steel, surface satin finished, material thickness 0.8 mm, folded front cover, cylinder lock with KWC Professional standard key, loading capacity 300 - 400 pcs. of paper depending on convolution, includes stainless steel screws and dowels.

Dimensions 324 x 513 x 112 mm (W x H x D)

**RODX600E**

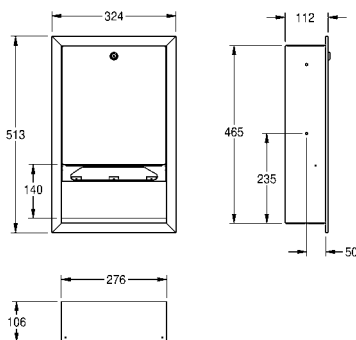
2000090057

Consumables

Folded paper towels, 225 items per pack, 20 packs per case

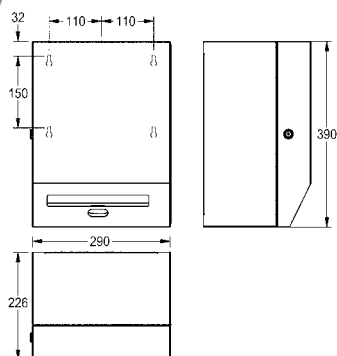
**FH70P**

2030072378



# RODAN Paper towel dispensers, combination, waste bins

Type Article Number

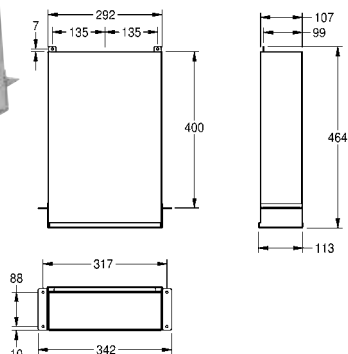


## RODAN electronic paper towel dispenser for wall mounting

Touch free paper towel dispenser for wall mounting, stainless steel, surface satin finished, material thickness 0.8 mm, folded cover with cylinder lock and standard KWC Professional key, infrared sensor activity for non-touch operation, integrated tear-off edge, needs 4 pcs. standard D 1.5 V batteries, maintenance free mechanic and easy paper roll change mechanism, for rolls with max. width 205 mm and max. diameter 200 mm, paper length adjustable to 200, 250 and 300 mm, includes stainless steel screws and dowels.

Dimensions 290 x 390 x 224 mm (W x H x D)

**RODX630** 2000090071

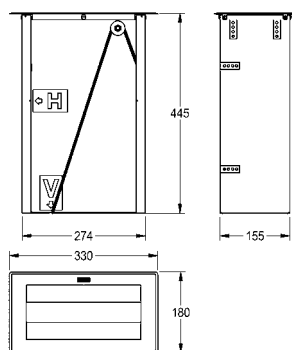


## RODAN paper towel dispenser

Paper towel dispenser for hidden mounting behind wall and mirror, stainless steel, surface satin finished, material thickness 0.8 mm, for 600 - 800 paper towels, depending on convolution, filling from bottom, includes stainless steel screws and dowels.

Dimensions 342 x 464 x 113 mm (W x H x D)

**RODX600ME** 2000090058



## RODAN paper towel dispenser

Paper towel dispenser for installation from the front or from the top, stainless steel, surfaces satin finished, material strength 1 mm, capacity for 600 pieces of C-folded single-layer paper towels. Can be filled from the top.

Dimensions 330 x 445 x 180 mm (W x H x D)

**RODX600TT** 2000102672

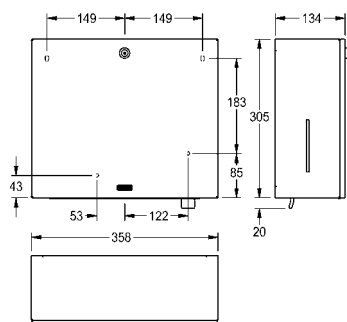
Consumables

Folded paper towels, 225 items per pack, 20 packs per case

**FH70P** 2030072378

Type

Article Number



### RODAN paper towel/soap dispenser combination for wall mounting

Paper towel, soap dispenser combination for wall mounting, stainless steel, surface satin finished, material thickness 0.8 mm, cylinder lock with KWC Professional standard key, inspection windows on sides, paper towel dispenser with loading capacity 300 - 400 pcs. of paper depending on convolution, suitable for liquid soaps and lotions, 0.8 liter soap tank, pull lever, includes stainless steel screws and dowels.

Dimensions 358 x 325 x 134 mm (W x H x D)

**RODX601** 2000101221

Consumables

Liquid soap, 1 litre, 6 bottles per pack

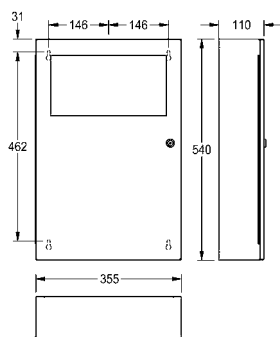
**SO1LP** 2030058103

Liquid soap, in 10 litre canister

**SO10L** 2000057168

Folded paper towels, 225 items per pack, 20 packs per case

**FH70P** 2030072378



### RODAN waste bin for wall mounting

Waste bin for wall mounting, stainless steel, surface satin finished, material thickness 0.8 mm, folding self closing lid, with integrated bag holder, cylinder lock with KWC Professional standard key, includes stainless steel screws and dowels.

Capacity approx. 13 liters

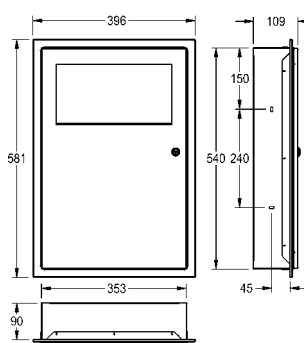
Dimensions 355 x 540 x 110 mm (W x H x D)

**RODX604** 2000101345

Capacity approx. 45 litres

Dimensions 495 x 710 x 153 mm (W x H x D)

**RODX606** 2000101346



### RODAN waste bin for recessed mounting

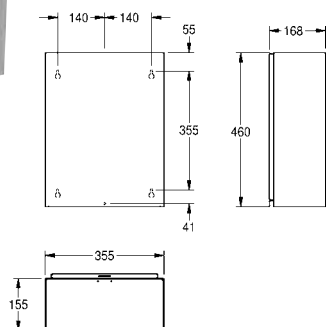
Waste bin for recessed mounting, stainless steel, surface satin finished, material thickness 0.8 mm, folding self closing lid, with integrated bag holder, cylinder lock with KWC Professional standard key, includes stainless steel screws and dowels.

Capacity approx. 13 liters

Dimensions 396 x 581 x 109 mm (W x H x D)

**RODX604E** 2000101347

# RODAN Waste bins, disposal flap, chute



Type	Article Number
------	----------------

## RODAN waste bin for wall mounting

Waste bin for wall mounting, stainless steel, surface satin finished, material thickness 0.8 mm, rounded edges, mounting either with mounting bracket or directly onto the wall, includes stainless steel screws and dowels.

Capacity approx. 23 liter  
Dimensions 355 x 460 x 168 mm (W x H x D)

**RODX605** 2000090061

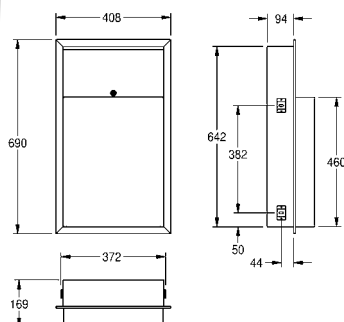
Capacity approx. 18 litres,  
dimensions 275 x 460 x 177 mm (W x H x D)

**RODX605S** 2000101236

Optional accessories

Bag holder for RODX605 and RODX605E waste bin, for screw mounting

**E-RODX605N** 2030022424



## RODAN waste bin for recessed mounting

Waste bin for recessed mounting, stainless steel, surface satin finished, material thickness 0.8 mm, rounded edges, cylinder lock with KWC Professional standard key, mounting with in-wall frame, includes stainless steel screws and dowels.

Capacity approx. 23 liter  
Dimensions 408 x 690 x 169 mm (W x H x D)

**RODX605E** 2000090062

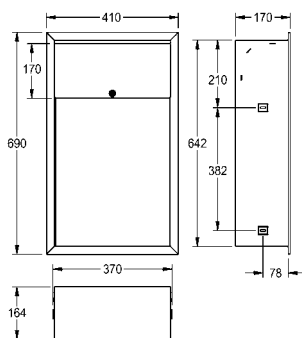
Dimensions 410 x 690 x 170 mm (W x H x D)

**RODX605EE** 2000101344

Optional accessories

Bag holder for RODX605 and RODX605E waste bin, for screw mounting

**E-RODX605N** 2030022424



## RODAN waste bin for recessed mounting

Waste bin for recessed mounting, stainless steel, surface satin finished, material thickness 0.8 mm, rounded edges, cylinder lock with KWC Professional standard key, mounting with in-wall frame, includes stainless steel screws and dowels.

Approx. 23 liter capacity, full recessed version  
Dimensions 410 x 690 x 171 mm (W x H x D)

**RODX605EE** 2000101344

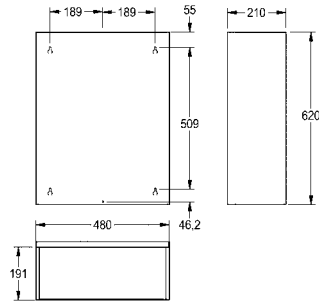
Dimensions 408 x 690 x 169 mm (W x H x D)

**RODX605E** 2000090062

Optional accessories

Bag holder for RODX605 and RODX605E waste bin, for screw mounting

**E-RODX605N** 2030022424



### RODAN waste bin for wall mounting

Waste bin for wall mounting, stainless steel, surface satin finished, material thickness 0.8 mm, rounded edges, mounting either with mounting bracket or directly onto the wall, includes stainless steel screws and dowels.

Capacity approx. 60 liter

Dimensions 480 x 620 x 210 mm (W x H x D)

**RODX607** 2000101351

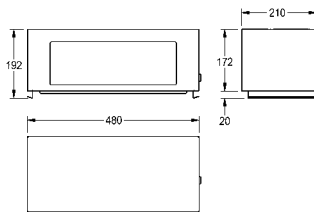
Optional accessories

Bag holder for waste bin RODX607, for screw mounting

**E-RODX607** 2000101350

Folding self-closing lid for RODX607

**RODX608** 2000101357

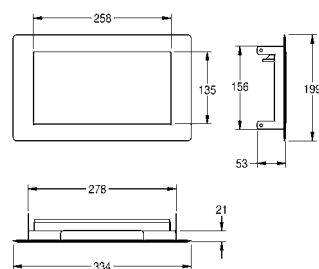


### RODAN folding self-closing lid for waste bin

Folding self-closing lid for waste bin RODX607, stainless steel, surface satin finished, material thickness 0.8 mm, cylinder lock with KWC Professional standard key, without waste bin.

Dimensions 480 x 186 x 210 mm (W x H x D)

**RODX608** 2000101357

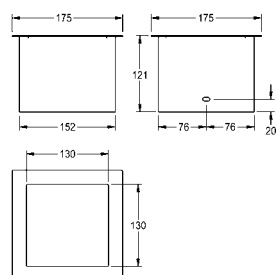


### RODAN waste disposal flap

Waste disposal flap for table top installation, horizontal installation only, stainless steel, visible surfaces satin finished, material thickness 0.8 mm, self-closing disposal flap, without waste container.

Dimensions 330 x 53 x 195 mm (W x H x D)

**RODX605TTH** 2030064649



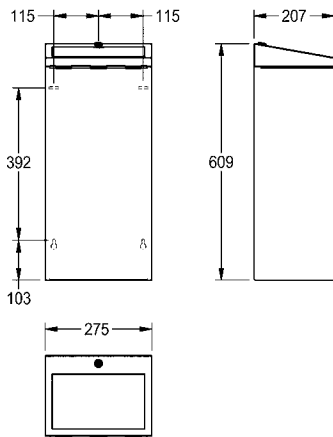
### RODAN waste disposal chute

Waste chute for table top installation, stainless steel, visible surfaces satin finished, material thickness 0.8 mm, without waste container.

Dimensions 175 x 121 x 175 mm (W x H x D)

**RODX607TT** 2000101212

# RODAN Waste bins



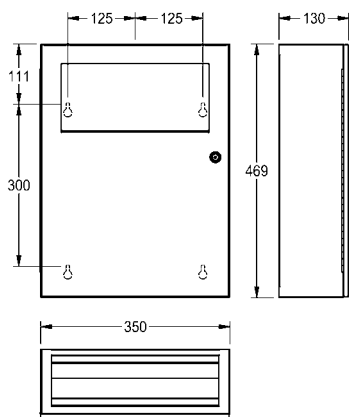
Type	Article Number
------	----------------

## RODAN waste bin for wall mounting

Waste bin for wall mounting or floor standing, made of stainless steel, surface satin finished, material thickness 0.8 mm, self closing lid, folding bag holder, cylinder lock with KWC Professional standard key, approx. 30 liter capacity, includes stainless steel screws and dowels.

Dimensions 275 x 610 x 207 mm (W x H x D)

<b>RODX605SL</b>	2000103806
------------------	------------



## RODAN hygiene waste bin for wall mounting

Sanitary towel and disposal bin for wall mounting, stainless steel, surface satin finished, material thickness 0.8 mm, approx. 6 liter capacity, with integrated bag holder, self closing lid, with integrated storage for paper hygiene bags, can be combined with RODX191 hygiene bag dispenser for plastic bags, cylinder lock with KWC Professional standard key, includes stainless steel screws and dowels.

Dimensions 350 x 469 x 130 mm (W x H x D)

<b>RODX612</b>	2000101358
----------------	------------

### Optional accessories

Surface-mounted hygiene bag dispenser

Dimensions 91 x 150 x 21 mm (W x H x D)

<b>RODX191</b>	2000101218
----------------	------------

### Consumables

Hygiene bag made of paper, 100 items per pack, 10 packs per case

<b>HB140P</b>	2030058765
---------------	------------



Type

Article Number



### RODAN hygiene waste bin for recessed mounting

Sanitary towel and disposal bin for recessed mounting, stainless steel, surface satin finished, material thickness 0.8 mm, approx. 6 liter capacity, with integrated bag holder, self closing lid, with integrated storage for paper hygiene bags, can be combined with RODX191 hygiene bag dispenser for plastic bags, cylinder lock with KWC Professional standard key, includes stainless steel screws and dowels.

Dimensions 401 x 659 x 130 mm (W x H x D)

**RODX612E** 2000101359

#### Optional accessories

Surface-mounted hygiene bag dispenser

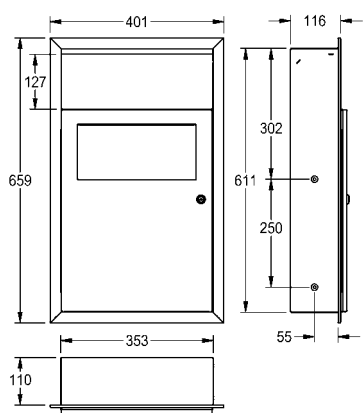
Dimensions 91 x 150 x 21 mm (W x H x D)

**RODX191** 2000101218

#### Consumables

Hygiene bag made of paper, 100 items per pack, 10 packs per case

**HB140P** 2030058765

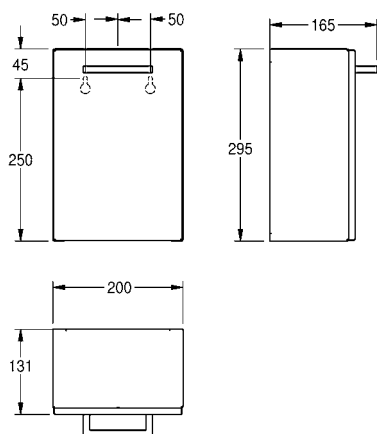


### RODAN hygiene waste bin for wall mounting

Sanitary towel and disposal bin for wall mounting, stainless steel, surface satin finished, material thickness 0.8 mm, folded front cover, approx. 3.7 liter capacity, removable plastic container inside, includes stainless steel screws and dowels.

Dimensions 200 x 295 x 165 mm (W x H x D)

**RODX611** 2000090063



# RODAN Combinations

Type	Article Number
------	----------------



## RODAN paper towel dispenser, waste bin combination for wall mounting

Paper towel dispenser, waste bin combination for wall mounting, stainless steel, surface satin finished, material thickness 0.8 mm, folded front cover, cylinder lock with KWC Professional standard key, loading capacity 500 - 800 pcs. of paper depending on convolution, waste bin with approx. 23 liter capacity, includes stainless steel screws and dowels.

Dimensions 411 x 1148 x 171 mm (W x H x D)

**RODX602** 2000090059

### Optional accessories

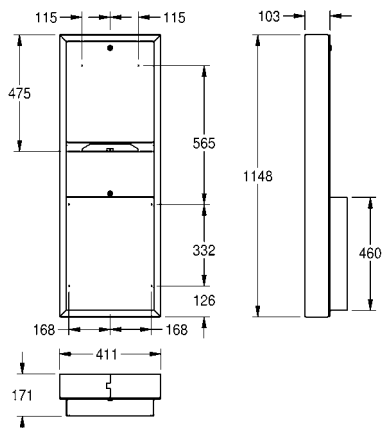
Bag holder for RODX605 and RODX605E waste bin, for screw mounting

**E-RODX605N** 2030022424

### Consumables

Folded paper towels, 225 items per pack, 20 packs per case

**FH70P** 2030072378



## RODAN paper towel/waste bin combination for recessed mounting

Paper towel dispenser - waste bin combination for recessed mounting, stainless steel, surface satin finished, material thickness 0.8 mm, folded front cover, cylinder lock with KWC Professional standard key, loading capacity 500 - 800 pcs. of paper depending on convolution, waste bin with approx. 23 liter capacity, includes stainless steel screws and dowels.

Dimensions 408 x 1145 x 169 mm (W x H x D)

**RODX602E** 2000090060

### Optional accessories

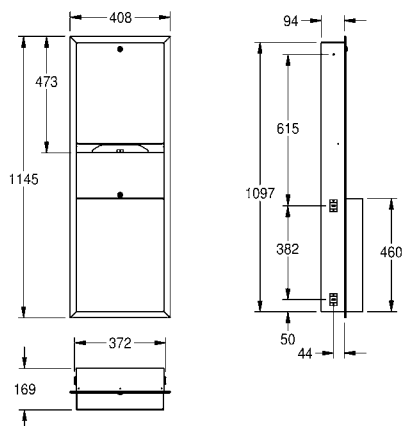
Bag holder for RODX605 and RODX605E waste bin, for screw mounting

**E-RODX605N** 2030022424

### Consumables

Folded paper towels, 225 items per pack, 20 packs per case

**FH70P** 2030072378



Type

Article Number



### RODAN paper towel/soap dispenser/waste bin combination for wall mounting

Waste bin, paper towel-, soap dispenser combination for wall mounting, stainless steel, surface satin finished, material thickness 0.8 mm, cylinder lock with KWC Professional standard key, paper towel dispenser with loading capacity 300 - 400 pcs. of paper depending on convolution, suitable for liquid soaps and lotions, 0.8 liter soap tank, push lever, waste bin with approx. 23 liter capacity, includes stainless steel screws and dowels.

Dimensions 413 x 1148 x 173 mm (W x H x D)

**RODX617** 2000101219

Optional accessories

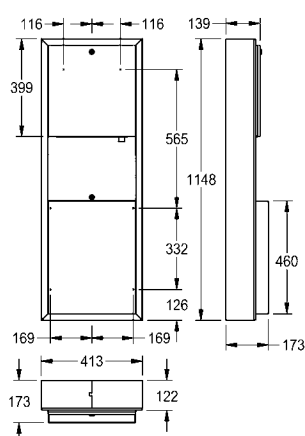
Bag holder for RODX605 and RODX605E waste bin, for screw mounting  
**E-RODX605N** 2030022424

Consumables

Liquid soap, 1 litre, 6 bottles per pack  
**SO1LP** 2030058103

Liquid soap, in 10 litre canister  
**SO10L** 2000057168

Folded paper towels, 225 items per pack, 20 packs per case  
**FH70P** 2030072378



### RODAN paper towel/soap dispenser/waste bin combination for recessed mounting

Paper towel-, soap dispenser and waste bin combination for recessed mounting, stainless steel, surface satin finished, material thickness 0.8 mm, cylinder lock with KWC Professional standard key, paper towel dispenser with loading capacity 300 - 400 pcs. of paper depending on convolution, suitable for liquid soaps and lotions, 0.8 liter soap tank, push lever, waste bin with approx. 23 liter capacity, includes stainless steel screws and dowels.

Dimensions 408 x 1145 x 169 mm (W x H x D)

**RODX617E** 2000101220

Optional accessories

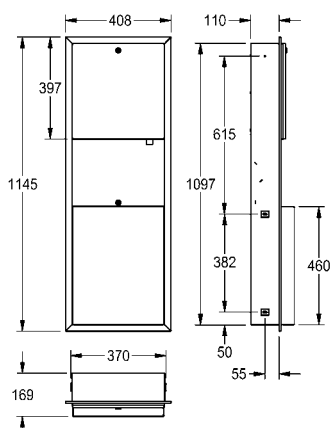
Bag holder for RODX605 and RODX605E waste bin, for screw mounting  
**E-RODX605N** 2030022424

Consumables

Liquid soap, 1 litre, 6 bottles per pack  
**SO1LP** 2030058103

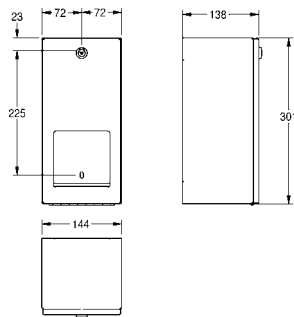
Liquid soap, in 10 litre canister  
**SO10L** 2000057168

Folded paper towels, 225 items per pack, 20 packs per case  
**FH70P** 2030072378



# RODAN Combinations, toilet roll holders, dispenser, toilet brush holder

Type Article Number

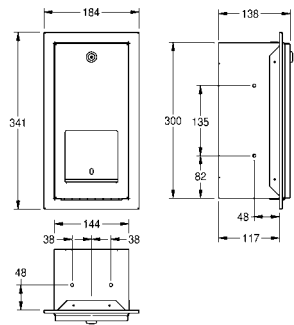


## RODAN toilet roll holder for wall mounting

Double toilet roll holder with spindle system for wall mounting, stainless steel, surface satin finished, material thickness 0.8 mm, folded front cover, cylinder lock with KWC Professional standard key, for 2 rolls with max. diameter 120 mm, second roll will be released after consumption of first roll, with spindles, reserve roll not visible, includes stainless steel screws and dowels.

Dimensions 144 x 301 x 138 mm (W x H x D)

**RODX672** 2000090072

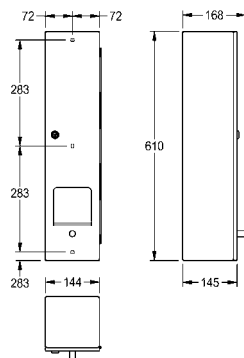


## RODAN toilet roll holder for recessed mounting

Double toilet roll holder with spindle system for recessed mounting, stainless steel, surface satin finished, material thickness 0.8 mm, folded front cover, cylinder lock with KWC Professional standard key, for 2 rolls with max. diameter 120 mm, second roll will be released after consumption of first roll, reserve roll not visible, includes stainless steel screws and dowels.

Dimensions 184 x 341 x 138 mm (W x H x D)

**RODX672E** 2000090073

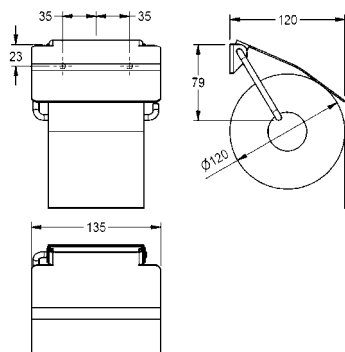


## RODAN toilet roll holder for wall mounting

Toilet roll holder for 4 rolls for wall mounting, stainless steel, surface satin finished, material thickness 0.8 mm, with spindle system, cylinder lock with KWC Professional standard key, includes stainless steel screws and dowels.

Manual release of refilling paper  
Dimensions 144 x 610 x 168 mm (W x H x D)

**RODX674B** 2030002104



## RODAN toilet roll holder for wall mounting

Toilet roll holder for wall mounting, stainless steel, surface satin finished, material thickness 0.8 mm, folding cover, for 1 roll with max. diameter 130 mm, includes stainless steel screws and dowels.

Dimensions 135 x 130 x 25 mm (W x H x D)

**RODX678** 2030013026

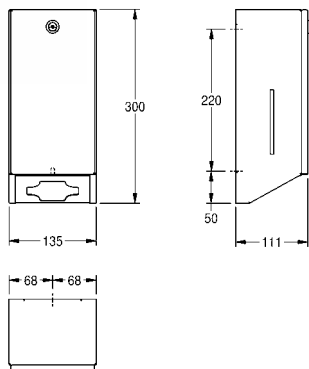
**NEW****RODAN toilet paper dispenser**

Rodan Toilet Paper Dispenser for wall mounting, stainless steel, surface satin finished, material thickness 0.8 mm, folded front cover, cylinder lock with KWC Professional standard key, inspection windows on sides, loading capacity 450 - 500 pcs. of toilet paper depending on convolution, includes stainless steel screws and dowels.

Dimensions 135x300x111mm (W x H x D)

**RODX677**

2030066921

**RODAN hygiene bag dispenser**

Hygiene bag dispenser for wall mounting, stainless steel, surface satin finished, material thickness 0.8 mm, edges not welded, inboard lug to hold package, withdrawal from front, incl. premounted double side self-adhesive tape and stainless steel screws and dowels, includes cleaning rag to clean bonding surface.

Dimensions 91 x 150 x 21 mm (W x H x D)

**RODX191**

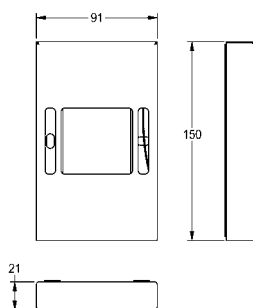
2000101218

Consumables

Hygiene bag, 30 items per box, 50 boxes per case

**HBD191BP**

2030058764

**RODAN toilet brush holder**

Toilet brush holder for wall mounting, stainless steel, surface satin finished, material thickness 1.2 mm, folded front, closed cover to the front, with white nylon brush with flushing rim cleaner, withdrawal opening either left or right, depending on mounting, removable plastic drip tray, includes stainless steel screws and dowels.

Dimensions 107 x 230 x 97 mm (W x H x D)

**RODX687**

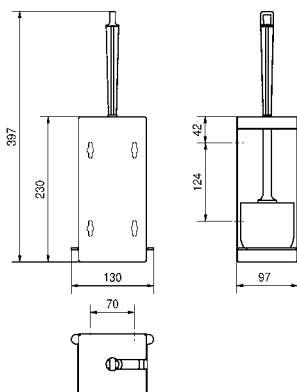
2000100000

Optional accessories

Toilet brush for toilet brush set RODX687, STRX687, black nylon, stainless steel handle

**E-STRX687**

2000100020



## Supplementary accessories



Functional, sturdy and hygienic accessories made of stainless steel provide professionals with suitable solutions for designing washroom and toilet facilities. Sanitary fittings from KWC Professional succeed in ensuring easy to clean sanitary fittings.

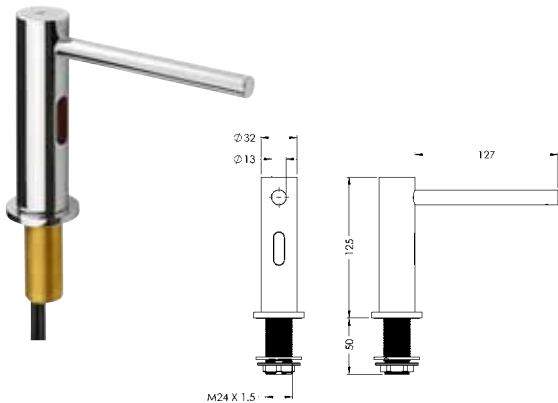


### Supplementary accessories

<b>KWC</b> Soap dispensers, waste bins, -chutes	288
<b>KWC</b> Soap dishes, trays, coat hooks	290
<b>KWC</b> Toilet roll holders, brush holder	292
<b>KWC</b> Mirrors	294
<b>KWC</b> Baby changing tables	295

# Soap dispensers, waste bins

Type	Article Number
------	----------------



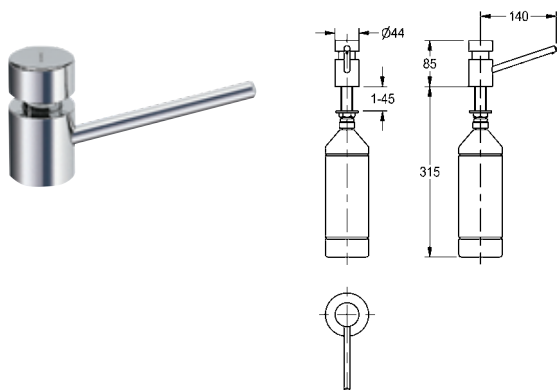
## Deck mounted electronic soap dispenser

Deck mounted electronic soap dispenser, opto-electronically controlled, to be connected to an on-wall mounted intended unit. The unit consists of a tank for liquid soap, a power supply and a pump unit, including 4 adjustable volumes per sensor operation. Sensor located inside all-metal housing, polished chromium-plated brass. Mains plug-in power supply unit 230 V AC including optional backup battery or external battery operation 6 V DC only (4 x AA, batteries not included).

**SD99-010** 2030039038

with nickel-coated brushed surface

**SD99-013** 2030054678



## Table-top soap dispenser

Soap dispenser for table top mounting into worktops with max. 45 mm thickness, high polished chromated brass, requires 22 mm drilling hole, 1/2" thread, spout not movable, spout length 140 mm, suitable for liquid soaps and lotions, 1 liter soap tank with membrane for pressure balance, filled from above. With standard body length (85 mm)

Dimensions 44 x 400 x 162 mm (W x H x D)

**SD80** 2000056721

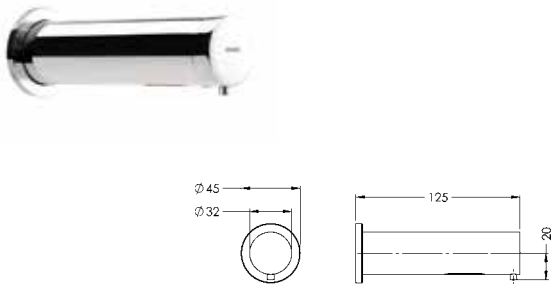
Consumables

Liquid soap, 1 litre, 6 bottles per pack

**SO1LP** 2030058103

Liquid soap, in 10 litre canister

**SO10L** 2000057168



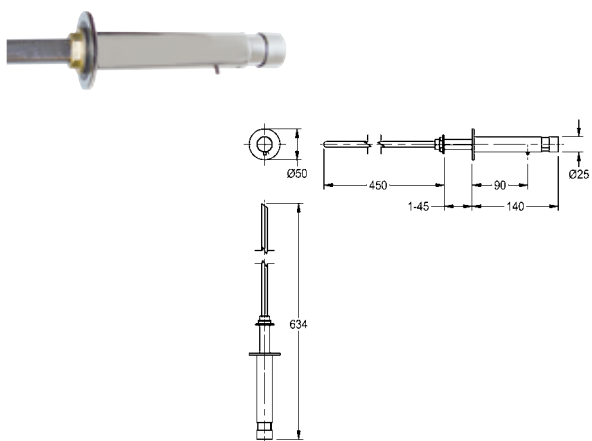
## Electronic soap dispenser

Wall mounted electronic soap dispenser for concealed backwall installations, opto-electronically controlled, to be connected to an either on-wall or backwall mounted intended unit. The unit consists of a tank for liquid soap, a power supply and a pump unit, includes 4 adjustable volumes per sensor operation. Sensor located inside all-metal housing, polished chromium-plated brass. Mains plug-in power supply unit 230 V AC includes optional backup battery or external battery operation 6 V DC only (4 x AA, batteries not included).

**SD99-009** 2030039032

with nickel-coated brushed surface

**SD99-012** 2030054679



## Soap dispenser for wall mounting

Soap dispenser for wall mounting and re-filling from Serviceroom behind the wall, high polished chromated brass, requires 18 mm drilling hole, 3/8" thread, spout not movable, suitable for liquid soaps and lotions, without soap tank (can be directly connected to soap can), for filling from behind the wall.

Dimensions 50 x 50 x 634 mm (W x H x D)

**SD110** 2000102699

Consumables

Liquid soap, 1 litre, 6 bottles per pack

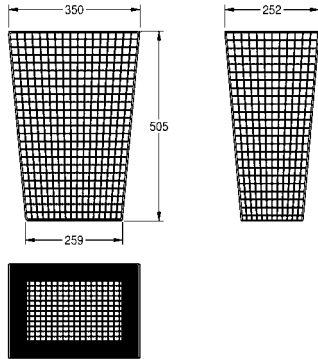
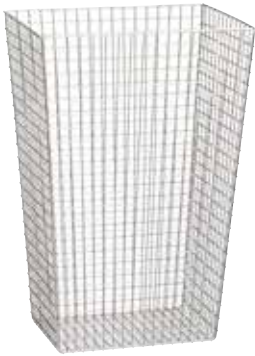
**SO1LP** 2030058103

Liquid soap, in 10 litre canister

**SO10L** 2000057168



Type	Article Number
------	----------------



**Waste bin**

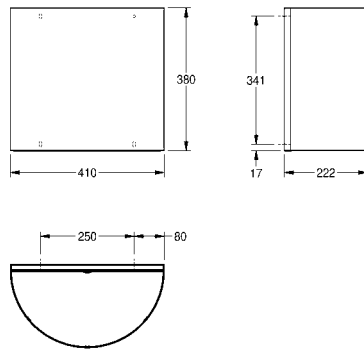
Waste bin free standing or for wall mounting, stainless steel, surface satin finished, wire thickness 2 mm, square perforated facia pattern, includes stainless steel screws and dowels.

Dimensions 350 x 505 x 252 mm (W x H x D)

**CHRX608** 2000057138

Fill volume 61 litres, dimensions 440 x 628 x 315 mm (W x H x D)

**CHRX607** 2000057137

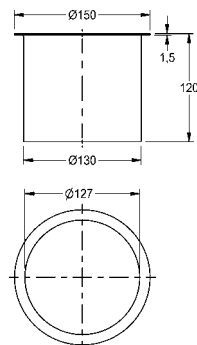


**Waste bin**

Waste bin for wall mounting, stainless steel, surface satin finished, material thickness 1.2 mm, with a 180° radius front and perforated facia pattern, cylinder lock with KWC Professional standard key, approx. 22 liter capacity, includes stainless steel screws and dowels.

Dimensions 410 x 380 x 222 mm (W x H x D)

**BS610** 2000056825



**Waste disposal chute**

Waste disposal barrel for table top mounting, stainless steel, visible surfaces satin finished, with raised edge, opening with 127 mm inner diameter, without waste container.

Dimensions 150 x 120 mm (D x H)

**E-BS602E** 2000101106

# Soap dishes, trays, hook

Type	Article Number
------	----------------

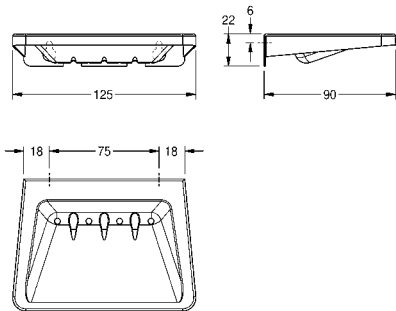


## Soap tray

Soap tray for wall mounting, stainless steel, surface satin finished, material thickness 1.0 mm, deep drawn soap dish, includes stainless steel screws and dowels.

Dimensions 125 x 22 x 90 mm (W x H x D)  
 Soap dish with drainage

**BS646** 2000056910

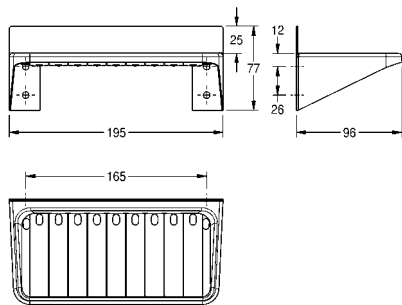


## Storage dish

Tray/shelf for wall mounting, stainless steel, surface satin finished, material thickness 0.8 mm, drilling holes for water drain, includes stainless steel screws and dowels.

Dimensions 195 x 77 x 96 mm (W x H x D)

**BS648** 2000057041

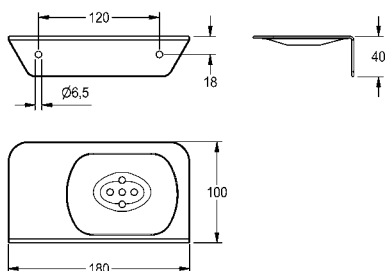


## Soap and shower gel tray

Soap and shower gel holder for wall mounting, nickel chromium steel, surface satin finish, material thickness 2.0 mm, deep drawn soap tray with drain holes, lateral shelf, rounded edges, includes stainless steel screws and dowels.

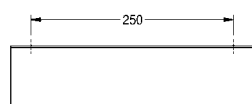
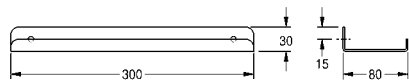
Dimensions 180 x 40 x 100 mm (W x H x D)

**CHRX644** 2000100804



Type

Article Number

**HEAVY-DUTY storage shelf**

Shelf for wall mounting, stainless steel, surface satin finished, material thickness 2 mm, rounded edges, protection edge at front. Inclusive stainless steel crosshead screws and dowels.

Dimensions 300 x 30 x 80 mm (W x H x D)

**AL300HD** 2000056718

Width 500 mm

**TA500HD** 2000102702

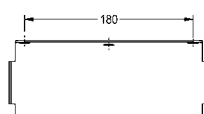
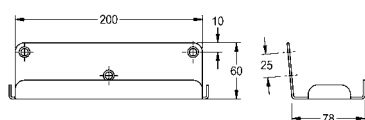
Width 600 mm

**TA600HD** 2000090054

Optional accessories

BX security system HD consisting of: 2 screws, 2 heavy duty wall plugs, 1 key (= set)

**BF22HD** 2000101366

**HEAVY-DUTY storage shelf for wall mounting**

Shelf for wall mounting, stainless steel, surface satin finished, material thickness 2 mm, rounded edges, protection edge at front, Includes stainless steel crosshead screws and dowels.

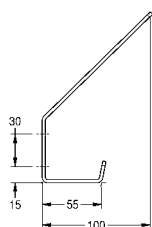
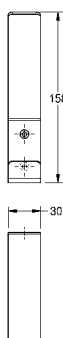
Dimensions 213 x 60 x 80 mm (W x H x D)

**HDTX644** 2000103076

Optional accessories

BX security system HD consisting of: 2 screws, 2 heavy duty wall plugs, 1 key (= set)

**BF22HD** 2000101366

**Clothes hook**

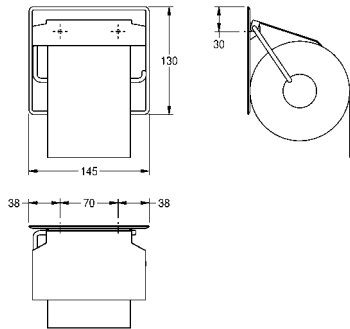
Double cloth hook for wall mounting, stainless steel grade 304L, surface satin finished, two drilled holes for fixation, includes stainless steel screws and dowels.

Dimensions 30 x 158 x 100 mm (W x H x D)

**CHR690** 2000057150

# Toilet roll holders, brushes

Type	Article Number
------	----------------

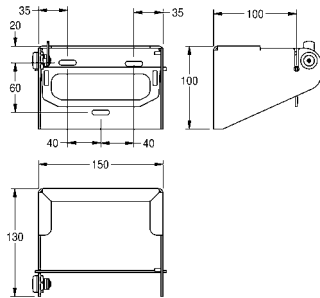


## Toilet roll holder for wall mounting

Toilet roll holder for wall mounting, stainless steel, surface satin finished, material thickness 0.8 mm, folding cover, for 1 roll with max. diameter 130 mm, includes stainless steel screws and dowels.

Dimensions 145 x 130 x 25 mm (W x H x D)

**BS677** 2000057045

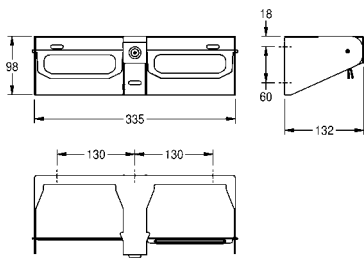


## Toilet roll holder

Toilet roll holder for wall mounting, stainless steel, surface satin finished, material thickness 2 mm, cylinder lock with KWC Professional standard key, for 1 roll with max. diameter 140 mm, thief protected spindle, controlled paper consumption due to spindle stop mechanism, includes stainless steel screws and dowels.

Dimensions 150 x 100 x 130 mm (W x H x D)

**CHR675** 2000057143

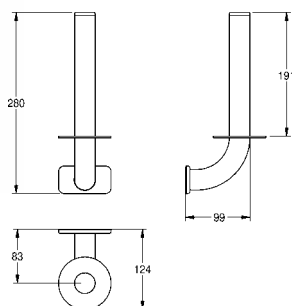


## Double toilet roll holder

Double toilet roll holder for wall mounting, stainless steel, surface satin finished, material thickness 2 mm, cylinder lock with KWC Professional standard key, for 2 rolls with a maximum diameter of 140 mm, thief protected spindles, controlled paper consumption due to spindle stop mechanism, includes stainless steel screws and dowels.

Dimensions 335 x 98 x 132 mm (W x H x D)

**CHR676N** 2030028851



## Spare toilet roll holder

Spare roll holder for wall mounting, stainless steel, surface satin finished, material thickness 1.2 mm, 32 mm pipe diameter, for 2 rolls, plate for hidden mounting with stainless steel cover, inclusive stainless steel screws and dowels.

Dimensions 81 x 280 x 124 mm (W x H x D)

**CHR679** 2000057146

Type

Article Number



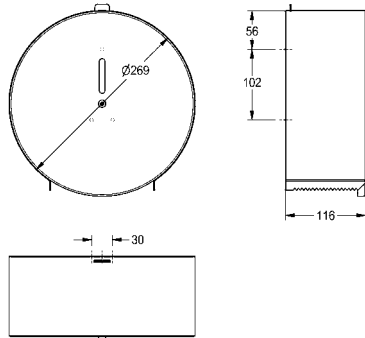
### Jumbo toilet roll holder

Jumbo roll holder for wall mounting, stainless steel, surface satin finished, material thickness 0.8 mm, cylinder lock with KWC Professional standard key, closed round casing with inspection window, paper withdrawal over two tear-off edges, for 1 roll with max. diameter 260 mm, includes stainless steel screws and dowels.

Dimensions 269 x 269 x 116 mm (W x H x D)

**CHR669**

2000060983



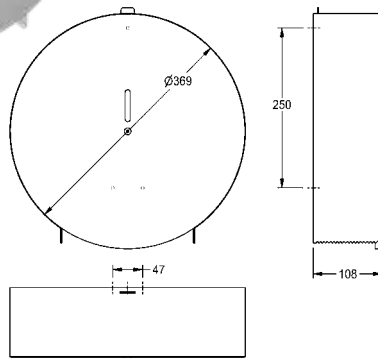
### Jumbo toilet roll holder

Jumbo roll holder for wall mounting, stainless steel, surface satin finished, material thickness 0.9 mm, closed round casing with inspection window, paper withdrawal over two tear-off edges, locked with hexagonal allen screw, for 1 roll with max. diameter 350 mm, includes stainless steel screws, dowels and hexagonal allen key.

Dimensions 369 x 369 x 108 mm (W x H x D)

**CHR670**

2000057141



### Toilet brush holder

Toilet brush holder for wall mounting, stainless steel, surface satin finished, material thickness 0.9 mm, white nylon brush with flushing rim cleaner, integrated drip tray, brush has to be hooked in, inclusive stainless steel screws and dowels.

Dimensions 135 x 235 x 135 mm (W x H x D)

**BS686**

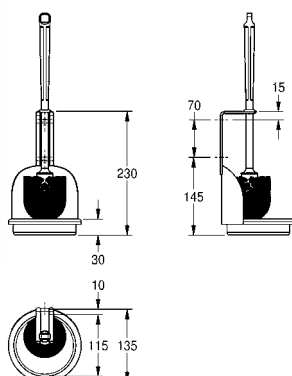
2000057078

Optional accessories

Toilet brush for toilet brush set RODX687, STRX687, black nylon, stainless steel handle

**E-STRX687**

2000100020



# Mirrors, baby changing tables

Type	Article Number
------	----------------



## Mirror

Stainless steel mirror for wall mounting, mirror with a reflective polished surface, material thickness 1 mm, four visible fixation points, includes stainless steel screws and dowels.

Dimensions 400 x 300 x 1 mm (W x H x D)

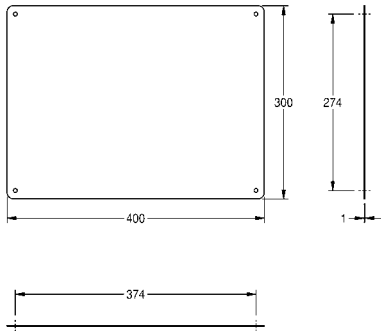
<b>CHRH401</b>	2000056953
----------------	------------

Dimensions 500 x 400 x 1 mm (W x H x D)

<b>CHRH501</b>	2000056955
----------------	------------

Dimensions 600 x 500 x 1 mm (W x H x D)

<b>CHRH601</b>	2000056956
----------------	------------

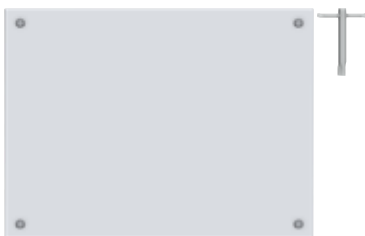
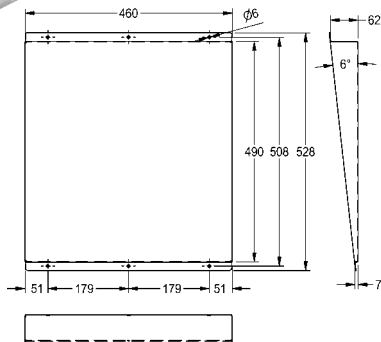


## HEAVY-DUTY Mirror

Stainless steel mirror for wall mounting, mirror with a reflective polished surface, material thickness 1 mm, mirror surface tilted towards user, six visible fixation points, includes stainless steel screws and dowels.

Dimensions 460 x 528 x 62 mm (W x H x D)

<b>M501HD</b>	2000103195
---------------	------------



## Mirror

Stainless steel mirror, for wall mounting, high polished, material thickness 1.0 mm, continuous beveling, reinforced with polystyrene plate, anti-theft fixings, mounting material included.

Dimensions 490 x 390 x 7 mm (W x H x D)

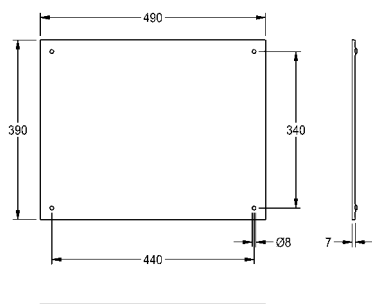
<b>HDTX0010</b>	2030019878
-----------------	------------

Dimensions 590 x 390 x 7 mm (W x H x D)

<b>HDTX0011</b>	2030019884
-----------------	------------

Dimensions 590 x 490 x 7 mm (W x H x D)

<b>HDTX0012</b>	2030019886
-----------------	------------



Note: For further HEAVY DUTY mirrors with concealed fastening see page 339

Type

Article Number



### CAMBRINO horizontal baby changing table

CAMBRINO horizontal baby changing table for wall mounting, made of polypropylene with antibacterial Biocote® protection, white colour, hinged, with integrated shock absorber for safe opening and closing, nylon safety belt and hooks on both sides, lockable dispenser for single-use paper covers in Interfold folding with maximum width 260 mm. Certified according to EN 12221-1 and EN 12221-2. Including mounting material and 80 single-use paper covers.

Dimensions when closed 860 x 565 x 100 mm (W x H x D)

Dimensions when open 860 x 480 x 570 mm (W x H x D)

**CAMB10HP** 2030057691

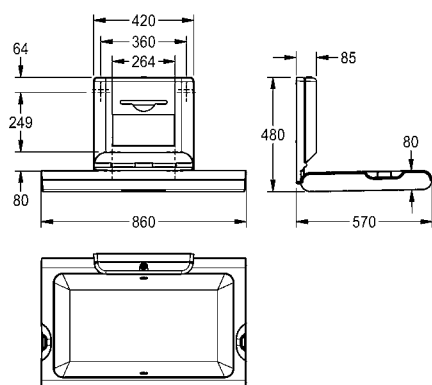
with front panel made of stainless steel

**CAMB11HS** 2030057693

#### Consumables

Single-use paper covers, 80 items per pack, 25 packs per case

**ECAMB001** 2030057745



### CAMBRINO vertical baby changing table

CAMBRINO vertical baby changing table for wall mounting, made of polypropylene with antibacterial Biocote® protection, white colour, hinged, with integrated shock absorber for safe opening and closing, nylon safety belt and hooks on both sides, lockable dispenser for single-use paper covers in Interfold folding with maximum width 260 mm. Certified according to EN 12221-1 and EN 12221-2. Including mounting material and 80 single-use paper covers.

Dimensions when closed 550 x 890 x 100 mm (W x H x D)

Dimensions when open 550 x 480 x 890 mm (W x H x D)

**CAMB20VP** 2030057694

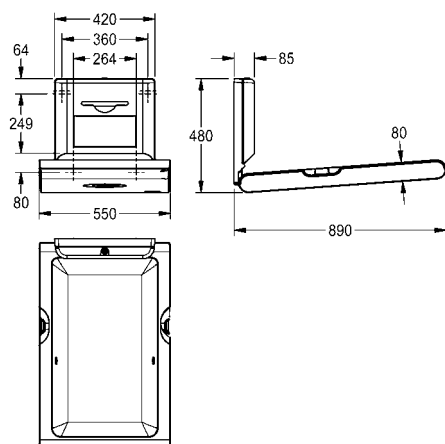
with front panel made of stainless steel

**CAMB22VS** 2030057695

#### Consumables

Single-use paper covers, 80 items per pack, 25 packs per case

**ECAMB001** 2030057745









# Accessories MEDIUS | FIRMUS | CUBUS

Accessories are a useful addition to any bathroom. KWC Professional's assortment of high-polished 1.4301 stainless steel accessories puts the finishing touches on a perfectly coordinated bathroom design. Each of the three lines was designed with a different stylistic direction.

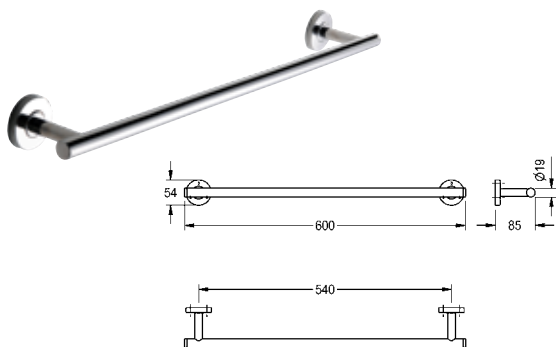
The classic lines of the MEDIUS range, the minimalist FIRMUS products and the striking forms of the CUBUS accessories support different design preferences and can be integrated into practically any design concept.

## Hotel and residential accessories

<b>KWC</b> MEDIUS Towel holder, tumbler holder, soap dish, hook, toilet roll holder, toilet brush holder	298
<b>KWC</b> FIRMUS Towel holder, tumbler holder, soap dish, hook, toilet roll holder, toilet brush holder	301
<b>KWC</b> CUBUS Towel holder, tumbler holder, soap dish, hook, toilet roll holder, toilet brush holder, baskets	304

# MEDIUS Accessories

Type	Article Number
------	----------------

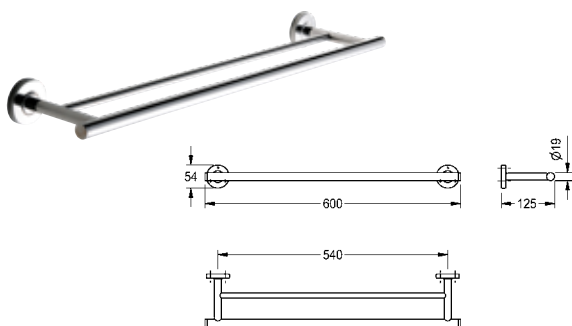


## MEDIUS single towel rail

Single towel rail for wall mounting, 304 stainless steel, round covers to conceal the fixing of screws, includes stainless steel screws and dowels.

Surface high polished  
Dimensions 600 x 54 x 85 mm (W x H x D)

<b>MEDX001HP</b>	2000106243
------------------	------------

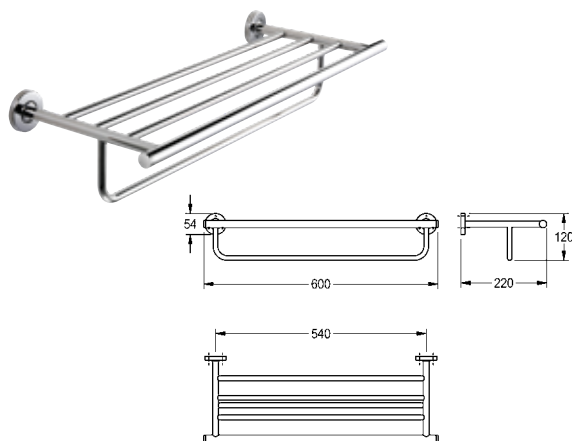


## MEDIUS double towel rail

Double towel rail for wall mounting, 304 stainless steel, round covers to conceal the fixing of screws, includes stainless steel screws and dowels.

Surface high polished  
Dimensions 600 x 54 x 125 mm (W x H x D)

<b>MEDX002HP</b>	2000106245
------------------	------------

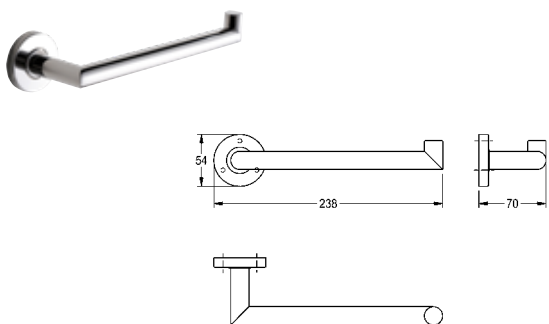


## MEDIUS double towel rack

Double towel rack in combination of towel shelf and rail for wall mounting, 304 stainless steel, round covers to conceal the fixing of screws, includes stainless steel screws and dowels.

Surface high polished  
Dimensions 600 x 120 x 220 mm (W x H x D)

<b>MEDX012HP</b>	2000106257
------------------	------------



## MEDIUS towel arm

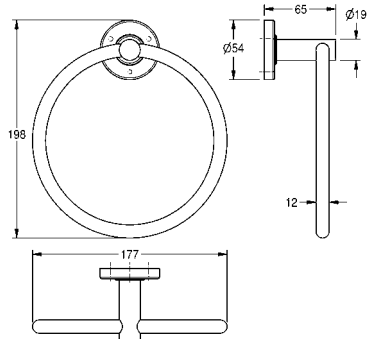
Towel arm for wall mounting, 304 stainless steel, round covers to conceal the fixing of screws, includes stainless steel screws and dowels.

Surface high polished  
Dimensions 238 x 54 x 70 mm (W x H x D)

<b>MEDX004HP</b>	2000106247
------------------	------------

Type

Article Number

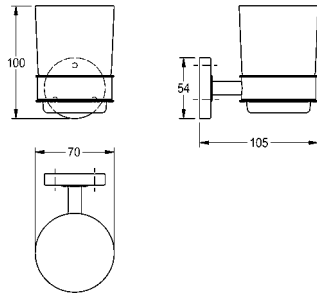


### MEDIUS towel ring

Towel ring for wall mounting, 304 stainless steel, round covers to conceal the fixing of screws, includes stainless steel screws and dowels.

Surface high polished  
Dimensions 177 x 198 x 65 mm (W x H x D)

**MEDX104HP** 2000106385

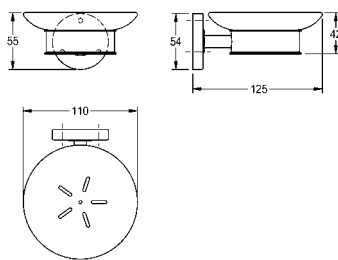


### MEDIUS tumbler holder

Tumbler holder for wall mounting, 304 stainless steel, glass cup, round covers to conceal the fixing of screws, includes stainless steel screws and dowels.

Surface high polished  
Dimensions 70 x 100 x 105 mm (W x H x D)

**MEDX006HP** 2000106251

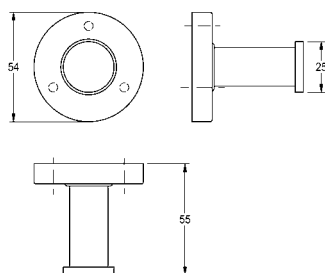


### MEDIUS soap tray

Soap dish for wall mounting, 304 stainless steel, glass dish, round covers to conceal the fixing of screws, includes stainless steel screws and dowels.

Surface high polished  
Dimensions 110 x 55 x 125 mm (W x H x D)

**MEDX007HP** 2000106253



### MEDIUS robe hook

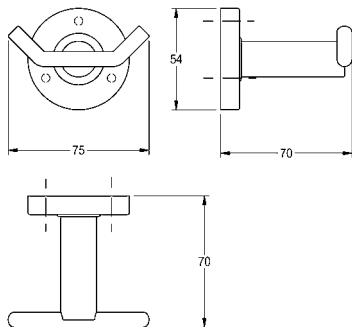
Single robe hook for wall mounting, 304 stainless steel, round cover to conceal the fixing of screws, includes stainless steel screws and dowels.

Surface high polished  
Dimensions 54 x 54 x 55 mm (W x H x D)

**MEDX010HP** 2000106255

# MEDIUS Accessories, FIRMUS Accessories

Type	Article Number
------	----------------

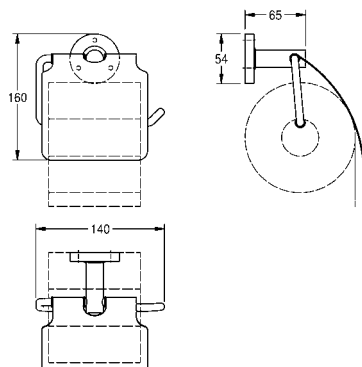


## MEDIUS double robe hook

Double robe hook for wall mounting, 304 stainless steel, round cover to conceal the fixing of screws, includes stainless steel screws and dowels.

Surface high polished  
Dimensions 75 x 54 x 70 mm (W x H x D)

<b>MEDX0110HP</b>	2000106261
-------------------	------------

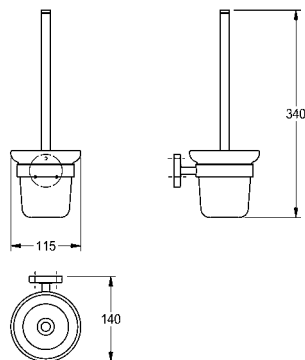


## MEDIUS toilet roll holder

Toilet roll holder for wall mounting, 304 stainless steel, for 1 roll with max. diameter 130 mm, stainless steel folding cover, round cover to conceal the fixing of screws, includes stainless steel screws and dowels.

Surface high polished  
Dimensions 140 x 160 x 65 mm (W x H x D)

<b>MEDX111HP</b>	2000106263
------------------	------------



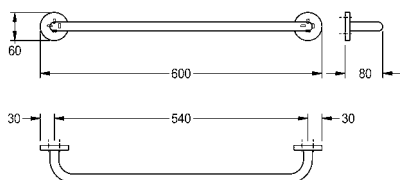
## MEDIUS toilet brush holder

Toilet brush holder for wall mounting, 304 stainless steel handle with nylon brush, glass cup, round covers to conceal the fixing of screws, includes stainless steel screws and dowels.

Surface high polished  
Dimensions 115 x 340 x 140 mm (W x H x D)

<b>MEDX005HP</b>	2000106249
------------------	------------

Type	Article Number
------	----------------

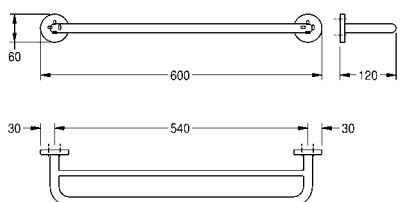


### FIRMUS single towel rail

Single towel rail for wall mounting, 304 stainless steel, round covers with drilled hole on bottom for fixation, includes stainless steel screws and dowels.

Surface high polished  
Dimensions 600 x 60 x 80 mm (W x H x D)

<b>FIRM001HP</b>	2000106265
------------------	------------

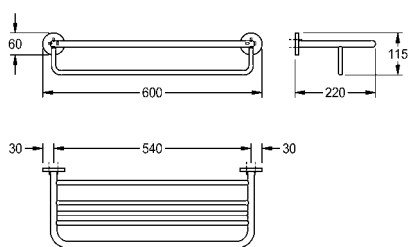


### FIRMUS double towel rail

Double towel rail for wall mounting, 304 stainless steel, round covers with drilled hole on bottom for fixation, includes stainless steel screws and dowels.

Surface high polished  
Dimensions 600 x 60 x 120 mm (W x H x D)

<b>FIRM002HP</b>	2000106267
------------------	------------

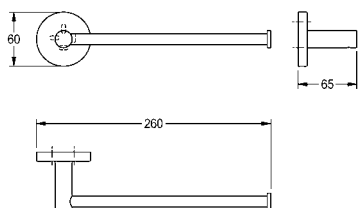


### FIRMUS double towel rack

Double towel rack in combination of towel shelf and rail for wall mounting, 304 stainless steel, round covers with drilled hole on bottom for fixation, includes stainless steel screws and dowels.

Surface high polished  
Dimensions 600 x 115 x 220 mm (W x H x D)

<b>FIRM012HP</b>	2000106281
------------------	------------



### FIRMUS towel arm

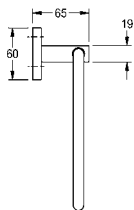
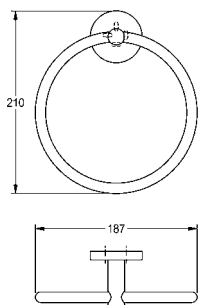
Towel arm for wall mounting, 304 stainless steel, round covers with drilled hole on bottom for fixation, includes stainless steel screws and dowels.

Surface high polished  
Dimensions 260 x 60 x 65 mm (W x H x D)

<b>FIRM004HP</b>	2000106271
------------------	------------

# FIRMUS Accessories

Type	Article Number
------	----------------

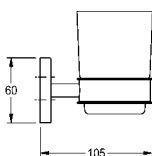
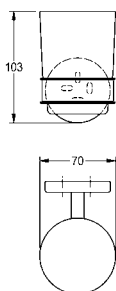


## FIRMUS towel ring

Towel ring for wall mounting, 304 stainless steel, round covers with drilled hole on bottom for fixation, includes stainless steel screws and dowels.

Surface high polished  
Dimensions 187 x 210 x 65 mm (W x H x D)

**FIRX104HP** 2000106283

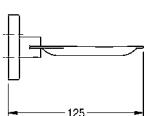
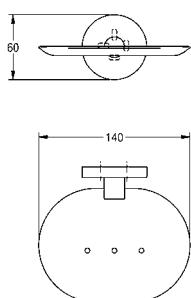


## FIRMUS tumbler holder

Tumbler holder for wall mounting, 304 stainless steel, glass cup, round covers with drilled hole on bottom for fixation, includes stainless steel screws and dowels.

Surface high polished  
Dimensions 70 x 103 x 105 mm (W x H x D)

**FIRX006HP** 2000106275

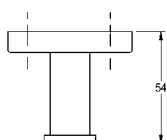
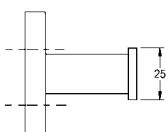
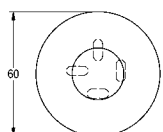


## FIRMUS soap tray

Soap dish for wall mounting, 304 stainless steel, round covers with drilled hole on bottom for fixation, includes stainless steel screws and dowels.

Surface high polished  
Dimensions 140 x 60 x 125 mm (W x H x D)

**FIRX107HP** 2000106285



## FIRMUS robe hook

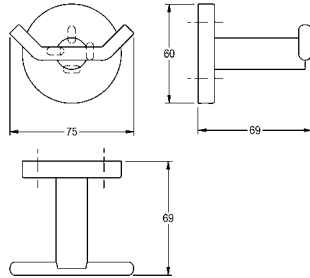
Single robe hook for wall mounting, 304 stainless steel, round covers with drilled hole on bottom for fixation, includes stainless steel screws and dowels.

Surface high polished  
Dimensions 60 x 60 x 54 mm (W x H x D)

**FIRX010HP** 2000106279

Type

Article Number

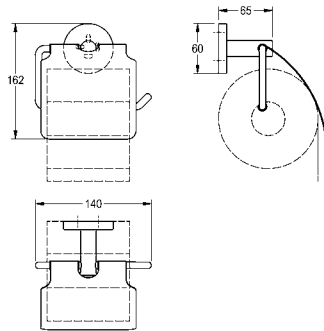


### FIRMUS double robe hook

Double robe hook for wall mounting, 304 stainless steel, round covers with drilled hole on bottom for fixation, includes stainless steel screws and dowels.

Surface high polished  
Dimensions 75 x 60 x 69 mm (W x H x D)

**FIRX0110HP** 2000106287

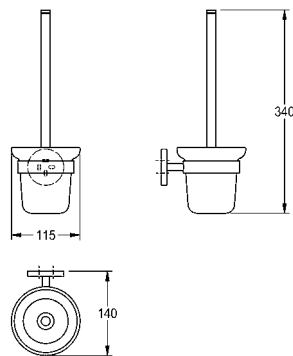


### FIRMUS toilet roll holder

Toilet roll holder for wall mounting, 304 stainless steel, for 1 roll with max. diameter 130 mm, stainless steel folding cover, round covers with drilled hole on bottom for fixation, includes stainless steel screws and dowels.

Surface high polished  
Dimensions 140 x 162 x 65 mm (W x H x D)

**FIRX111HP** 2000106289

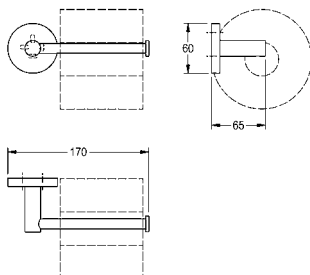


### FIRMUS toilet brush holder

Toilet brush holder for wall mounting, 304 stainless steel handle with nylon brush, glass cup, round covers to conceal the fixing of screws, includes stainless steel screws and dowels.

Surface high polished  
Dimensions 115 x 340 x 140 mm (W x H x D)

**FIRX005HP** 2000106273



### FIRMUS replacement toilet roll holder

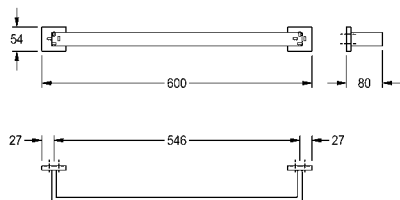
Spare toilet roll holder for wall mounting, 304 stainless steel, round covers with drilled hole on bottom for fixation, includes stainless steel screws and dowels.

Surface high polished Dimensions 170 x 60 x 65 mm (W x H x D)

**FIRX211HP** 2000106293

# CUBUS Accessories

Type	Article Number
------	----------------

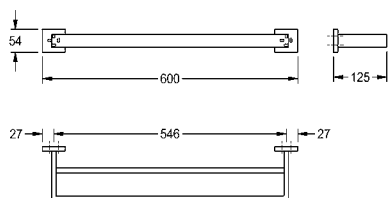


## CUBUS individual towel rail

Single towel rail for wall mounting, 304 stainless steel, square covers with drilled hole on bottom for fixation, includes stainless steel screws and dowels.

Surface high polished  
Dimensions 600 x 54 x 80 mm (W x H x D)

<b>CUBX001HP</b>	2000106345
------------------	------------

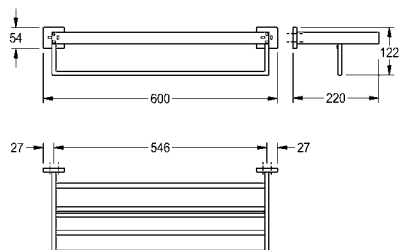
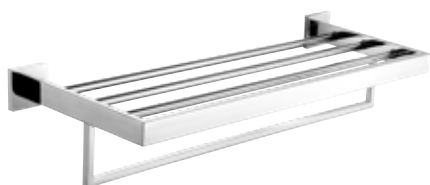


## CUBUS double towel rail

Double towel rail for wall mounting, 304 stainless steel, square covers with drilled hole on bottom for fixation, includes stainless steel screws and dowels.

Surface high polished  
Dimensions 600 x 54 x 125 mm (W x H x D)

<b>CUBX002HP</b>	2000106347
------------------	------------

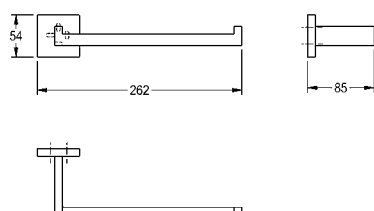


## CUBUS double towel rack

Double towel rack in combination of towel shelf and rail for wall mounting, 304 stainless steel, square covers with drilled hole on bottom for fixation, includes stainless steel screws and dowels.

Surface high polished  
Dimensions 600 x 122 x 220 mm (W x H x D)

<b>CUBX012HP</b>	2000106361
------------------	------------



## CUBUS towel arm

Towel arm for wall mounting, 304 stainless steel, square covers with drilled hole on bottom for fixation, includes stainless steel screws and dowels.

Surface high polished  
Dimensions 262 x 54 x 85 mm (W x H x D)

<b>CUBX004HP</b>	2000106351
------------------	------------



Type

Article Number



### CUBUS toilet roll holder

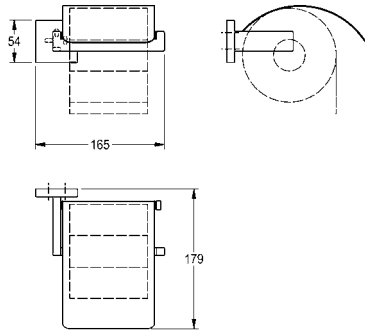
Toilet roll holder for wall mounting, 304 stainless steel, for 1 roll with max. diameter 130 mm, stainless steel folding cover, square cover with drilled hole on bottom for fixation, includes stainless steel screws and dowels.

Surface high polished

Dimensions 165 x 54 x 179 mm (W x H x D)

**CUBX111HP**

2000106363



### CUBUS toilet brush holder

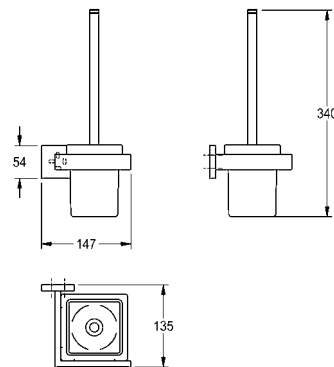
Toilet brush holder for wall mounting, 304 stainless steel handle with nylon brush, square glass cup, square cover with drilled hole on bottom for fixation, includes stainless steel screws and dowels.

Surface high polished

Dimensions 147 x 340 x 135 mm (W x H x D)

**CUBX005HP**

2000106353



### CUBUS replacement toilet roll holder

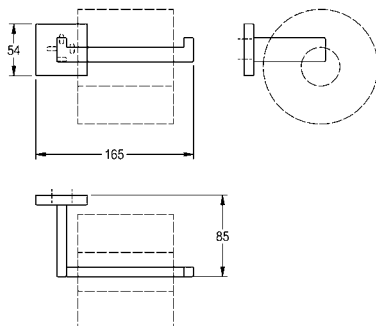
Spare toilet roll holder for wall mounting, 304 stainless steel, square covers with drilled hole on bottom for fixation, includes stainless steel screws and dowels.

Surface high polished

Dimensions 165 x 54 x 85 mm (W x H x D)

**CUBX211HP**

2000106365



# CUBUS Accessories

---

Type Article Number

---



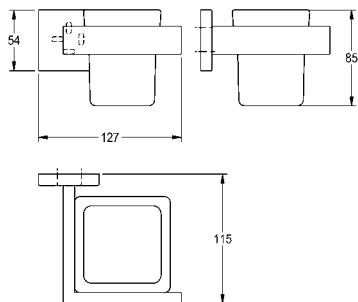
## CUBUS tumbler holder

Tumbler holder for wall mounting, 304 stainless steel, square glass cup, square cup with drilled holes on bottom for fixation, includes stainless steel screws and dowels.

Surface high polished  
Dimensions 127 x 85 x 115 mm (W x H x D)

**CUBX006HP** 2000106355

---



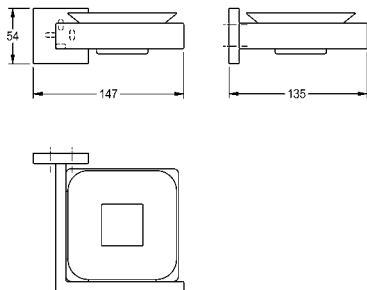
## CUBUS soap tray

Soap dish for wall mounting, 304 stainless steel, glass dish, square covers with drilled hole on bottom for fixation, includes stainless steel screws and dowels.

Surface high polished  
Dimensions 147 x 54 x 135 mm (W x H x D)

**CUBX007HP** 2000106357

---



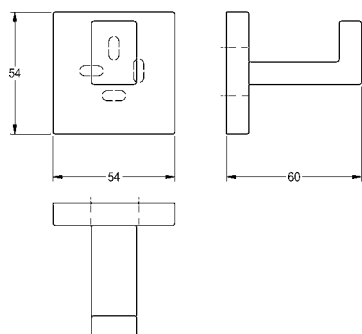
## CUBUS robe hook

Single robe hook for wall mounting, 304 stainless steel, square covers with drilled hole on bottom for fixation, includes stainless steel screws and dowels.

Surface high polished  
Dimensions 54 x 54 x 60 mm (W x H x D)

**CUBX010HP** 2000106359

---



Type

Article Number

### Corner basket

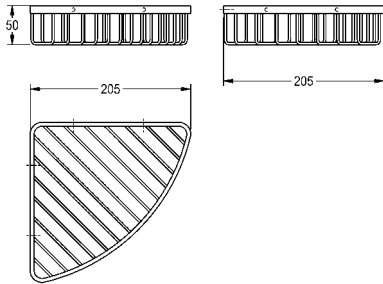
Corner basket for wall mounting, 304 stainless steel, used for shower or bath, includes stainless steel screws and dowels.

Surface high polished

Dimensions 205 x 50 x 205 mm (W x H x D)

**MISX2009HP**

2000106380



### Square basket

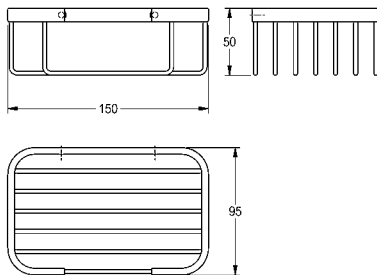
Square basket for wall mounting, 304 stainless steel, used for shower or bath, includes stainless steel screws and dowels.

Surface high polished

Dimensions 150 x 50 x 95 mm (W x H x D)

**MISX0009HP**

2000106381







# Hand and hair dryers

Compact and efficient hand and hair dryers have become an indispensable part of modern sanitary facilities. The range of products includes matching models for the EXOS., STRATOS and RODAN accessory lines, in addition to an innovative Hands-in warm air hand dryer and the new F5 hair dryer. Thanks to their high-performance, they ensure a convenient solution for drying hands and hair after washing.

## Hand and hair dryers

<b>KWC</b> Hand dryers	310
<b>KWC</b> Hair dryers	313

# EXOS. / STRATOS / RODAN hand dryers

Type	Article Number
------	----------------

**INOX PLUS**

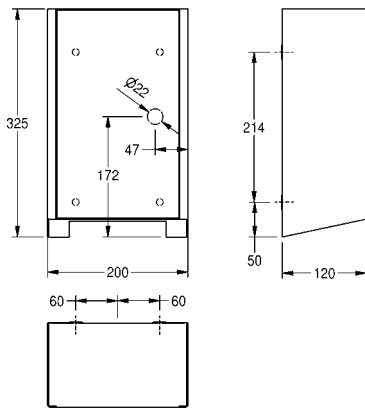
## EXOS. Hand dryers

Hand dryer for wall mounting, stainless steel with satin-finish and InoxPlus surface refinement for the reduction of finger marks and better cleaning characteristics (easy to clean), material thickness 1.2 mm, with contactless opto-electronic sensor for touch-free operation, adjustable hot air temperature, sensor range adjustable from 10 to 25 cm, protection from continuous operation with automatic switch-off after 60 seconds, air speed adjustable, cable and plug not included.



Operating voltage 220-240V AC, 50-60 Hz  
 Total power 800-1000 W  
 Heater 500 W  
 Motor 500 W  
 Air volume 80 m<sup>3</sup>/h  
 Air velocity 95 - 115 m/s

Dimensions 200 x 325 x 120 mm (W x H x D)



**EXOS220X** 2030027981

InoxPlus-coated main housing, black toughened safety glass front panel

**EXOS220B** 2030034622

InoxPlus-coated main housing, white toughened safety glass front panel

**EXOS220W** 2030034660

**INOX PLUS**

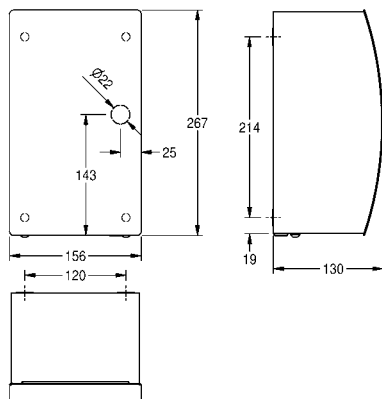
## STRATOS electronic hand dryer

Touch free electronic warm air hand dryer for wall mounting, stainless steel, surface satin finished, front with InoxPlus surface refinement for the reduction of finger marks and better cleaning characteristics (easy to clean), material thickness 1.5mm, curved front cover, infra-red sensor activity for non-touch operation, adjustable warm air temperature, sensor range adjustable from 10 to 25 cm, automatic power shut-off after 60 seconds, adjustable air velocity allows to shorten the drying time considerably, cable and plug not included.



Operating voltage 220-240V AC, 50-60 Hz  
 Total power 800-1000 W  
 Heater 500 W  
 Motor 500 W  
 Air volume 80 m<sup>3</sup>/h  
 Air velocity 95 - 115 m/s

Dimensions 156 x 267 x 130 mm (W x H x D)



**STRX220** 2030027296

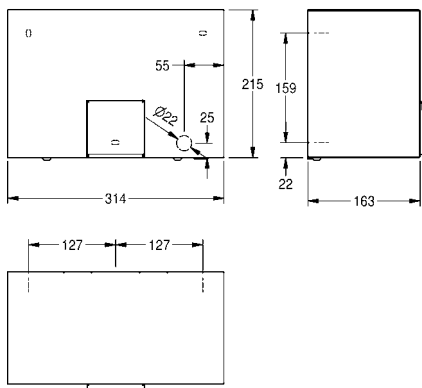
**RODX310**

Touch free electronic warm air hand dryer for wall mounting, stainless steel, surface satin finished, material thickness 1.2 mm, infrared sensor activity for non-touch operation, sensor range adjustable from 10 to 30 cm, cable and plug not included.

Connection voltage 230 V, 50 Hz  
 Total power 2200 W  
 Heater 2100 W  
 Motor 100 W  
 Motor min 2850 U/min  
 Air volume 274 m<sup>3</sup>/h  
 Air velocity 15.5 m/s  
 Dimensions 314 x 215 x 163 mm (W x H x D)

**RODX310**

2000090055

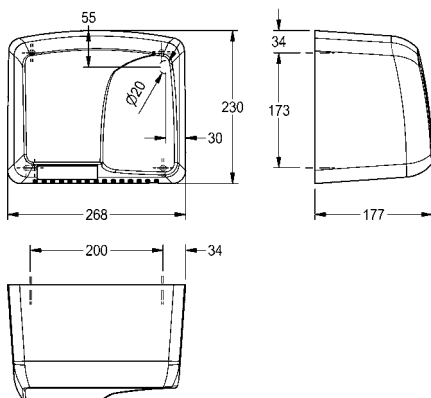
**Electronic hand dryer**

Touch free electronic warm air hand dryer for wall mounting, material thickness 3 mm, infrared sensor activity for non-touch operation, sensor range adjustable from 15 to 19 cm, automatic power shut-off after 60 seconds, cable and plug not included.

Connection voltage 220 - 240 V, 50 - 60 Hz  
 Total power 1800 W  
 Heater 1720 W  
 Motor 80 W motor with 2800 rpm  
 Noise 64 db(A)  
 Air volume 255 m<sup>3</sup>/h  
 Air velocity 14.5 m/s  
 Dimensions 268 x 230 x 177 mm (W x H x D)

**ARTW410**

2000056770



# Hands-in hand dryer, F5 hair dryer

Type

Article Number



## Hands-in dryer

High Speed "Hands-in" hand dryer for wall mounting, antibacterial ABS plastic, colour silver, drying time 7-10 seconds, hygienic thanks to non-contact opto-electronically controlled release and integrated HEPA filter, adjustable air speed, optionally warm or cold air, auto shutdown after 25 seconds, water tank and discharge can be cleaned separately, protection class IPX4. Cable and plug not included in scope of delivery.

Supply voltage 220 - 240 V, 50 - 60 Hz

Performance overall 1250 - 1650 W

Heating 550 W

Noise 65 - 69 dB(A)

Air speed 75 - 100 m/s

Water tank capacity 800 ml

Dimensions 300 x 699 x 230 mm (W x H x D)

**DRYX600**

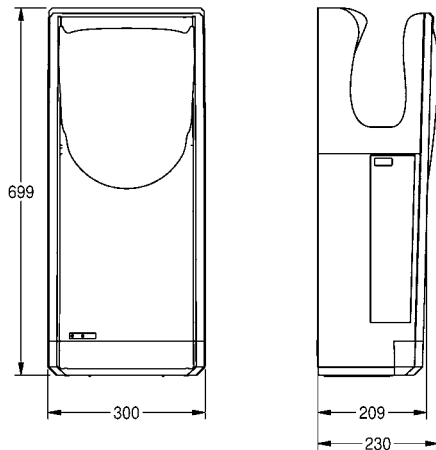
2030069907

Consumables

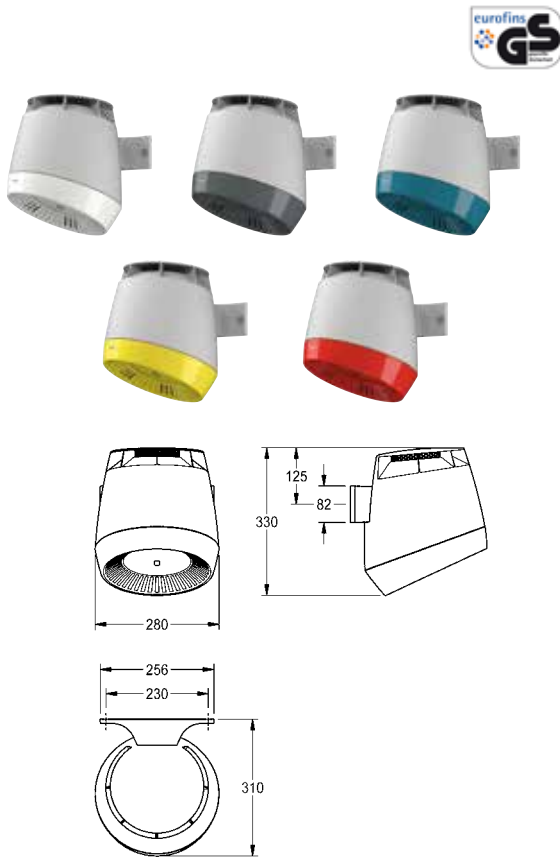
HEPA filter for Hands-in hand dryer

**EDRYX503**

2030037355







### F5 Hood hair dryer

F5 hood hair dryer for wall mounting, opto-electronically controlled for touch-free activation, integrated ion technology, brushless and maintenance-free EC motor. Sensor range and safety switch-off for permanent reflexion adjustable using optional bidirectional remote control. Made of thermoplastic material, housing and mounting in light grey, drying recess in white, with 4 air outlets for even hot air distribution.

Operating voltage 230 V AC, 50/60 Hz  
 Overall power 1300 W  
 Heating power 1200 W  
 Protective system IP23  
 Air quantity 190 m<sup>3</sup>/h = 53 l/s  
 Air speed 8 m/s  
 Noise level 66 db (A)  
 Dimensions 280 x 331 x 307 mm (W x H x D)

**F5DR2001** 2030050305

Drying recess in basalt grey colour

**F5DR2002** 2030052323

Drying recess in pearl gentian blue colour

**F5DR2003** 2030052324

Drying recess in lemon yellow colour

**F5DR2004** 2030052327

Drying recess in signal red colour

**F5DR2005** 2030052328

### Height adjustment for F5 hood hair dryers

Height adjustment for F5 hood hair dryer, for wall mounting, 600 mm continuously adjustable, with constant force rolling band spring, guide rail made of anodised aluminium, with 4 mm thick crystal mirror, fully adhered, covered, vandalism-resistant cable channel, colour combination silver/white end caps.

Dimensions 250 x 1200 x 140 mm (W x H x D)

**ACDR0001** 2030052329

Colour combination silver/basalt grey end caps.

**ACDR0002** 2030052330

Colour combination silver/pearl gentian blue end caps

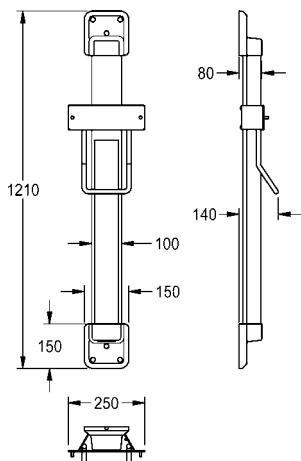
**ACDR0003** 2030052331

Colour combination silver/lemon yellow end caps

**ACDR0004** 2030052332

Colour combination silver/signal red end caps

**ACDR0005** 2030052333







# Accessible washroom equipment

Stability and user-friendliness are the central topics for accessible sanitary facilities.

Whether it be in medical environments, care facilities or public toilets, mobility aids such as support and grab rails, hinged seats in showers, backrests, manual spray holders or and adjustable mirrors provide a safer environment.

## Accessible washroom equipment

<b>KWC</b> CONTINA Grab rails	316
<b>KWC</b> CONTINA Hand rails, hinged grab rails	318
<b>KWC</b> CONTINA Backrests, shower seats	321
<b>KWC</b> CONTINA Shower head holder, shelf, mirrors	322

Additional accessible equipment can be found in the chapters “Mineral granite washbasins” and “Urinals and toilets”.

# CONTINA Accessible washroom equipment

Type	Article Number
------	----------------

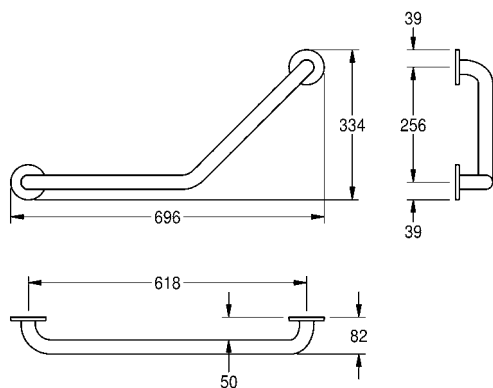


## CONTINA 135° angled grab rail

Angle grab rail, 135° angle grab rail for wall mounting, stainless steel, surface satin finished, rough polishing for better surface feel, 32 mm pipe diameter, material thickness 1.2 mm, wall distance 82 mm, with two stainless steel covers for hidden mounting, includes stainless steel screws and dowels.

Dimensions 696 x 334 x 82 mm (W x H x D)

<b>CNTX700WA</b>	2030037502
------------------	------------



## CONTINA grab rail

Grab rail for wall mounting, stainless steel, surface satin finished, rough polishing for better surface feel, 32 mm pipe diameter, material thickness 1.2 mm, wall distance 82 mm, with two stainless steel covers for hidden mounting, includes stainless steel screws and dowels.

Type 300 mm

Dimensions 378 x 78 x 82 mm (W x H x D)

<b>CNTX300W</b>	2030033995
-----------------	------------

450 mm version

<b>CNTX450W</b>	2030033978
-----------------	------------

600 mm version

<b>CNTX600W</b>	2030032985
-----------------	------------

750 mm version

<b>CNTX750W</b>	2030033997
-----------------	------------

900 mm version

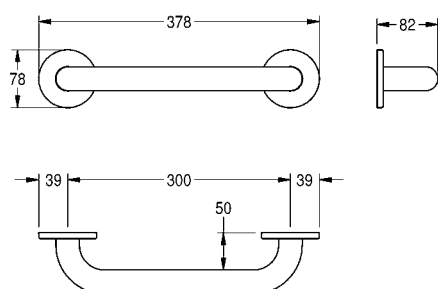
<b>CNTX900W</b>	2030033990
-----------------	------------

1050 mm version

<b>CNTX1050W</b>	2030034502
------------------	------------

1100 mm version

<b>CNTX1100W</b>	2030033994
------------------	------------



Type

Article Number

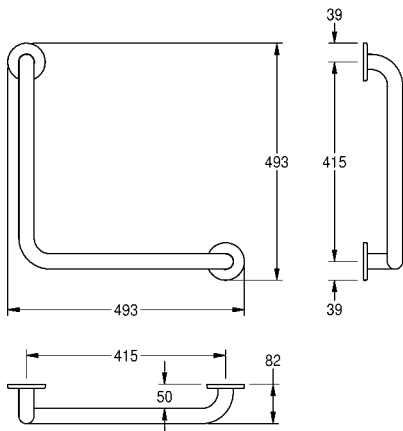


### CONTINA 90° angled grab rail

90° angle grab rail for wall mounting, stainless steel, surface satin finished, rough polishing for better surface feel, 32 mm pipe diameter, material thickness 1.2 mm, wall distance 82 mm, with two stainless steel covers for hidden mounting, includes stainless steel screws and dowels.

Dimensions 493 x 493 x 82 mm (W x H x D)

**CNTX21W** 2030038226



### CONTINA 90° angled grab rail, left-hand version

90° angle grab rail for wall mounting, stainless steel, surface satin finished, rough polishing for better surface feel, 32 mm pipe diameter, material thickness 1.2 mm, wall distance 82 mm, with three stainless steel covers for hidden mounting, includes stainless steel screws and dowels.

Type left

Dimensions 678 x 1328 x 82 mm (W x H x D)

**CNTX20WL** 2030038220

Right-hand version, dimension 678 x 1328 x 82 mm (W x H x D)

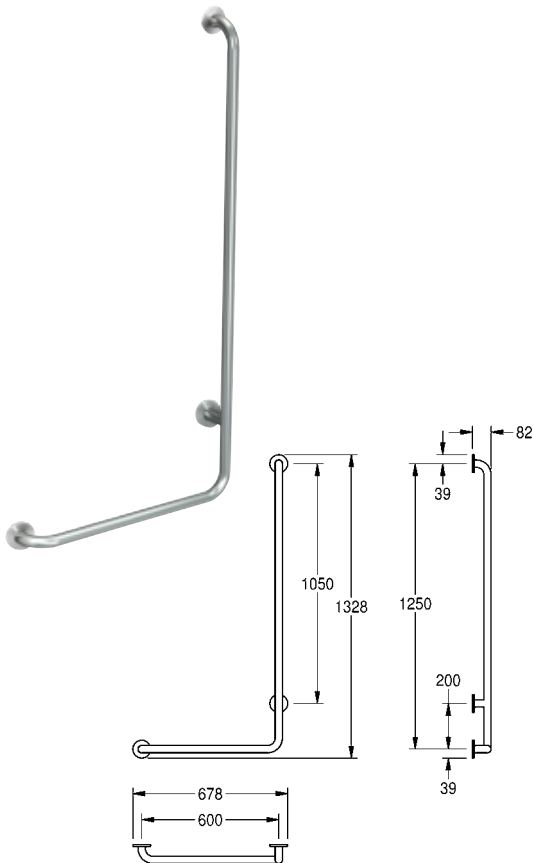
**CNTX20WR** 2030038221

Left-hand version, dimensions 493 x 828 x 82 mm (W x H x D)

**CNTX22WL** 2030038223

Right-hand version, dimension 493 x 828 x 82 mm (W x H x D)

**CNTX22WR** 2030038225



# CONTINA Accessible washroom equipment

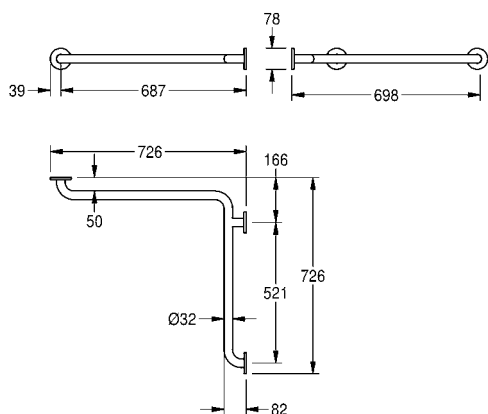
Type	Article Number
------	----------------

## CONTINA handrail for corners

Horizontal corner bar for wall mounting, stainless steel, surface satin finished, rough polishing for better surface feel, 32 mm pipe diameter, material thickness 1.2 mm, wall distance 82 mm, with three stainless steel covers for hidden mounting, includes stainless steel screws and dowels.

Dimensions 726 x 78 x 726 mm (W x H x D)

<b>CNTX52W</b>	2030036235
----------------	------------



## CONTINA handrail for corners - left

90° angle two way bar for wall mounting, horizontal and vertical, stainless steel, surface satin finished, rough polishing for better surface feel, 32 mm pipe diameter, material thickness 1.2 mm, wall distance 82 mm, with four stainless steel covers for hidden mounting, includes stainless steel screws and dowels.

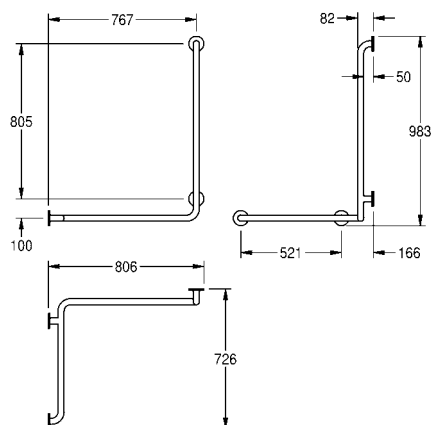
Type left

Dimensions 806 x 983 x 726 mm (W x H x D)

<b>CNTX50WL</b>	2030038227
-----------------	------------

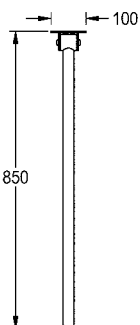
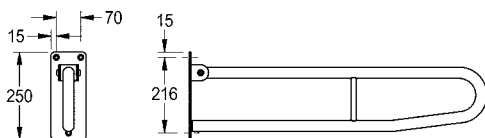
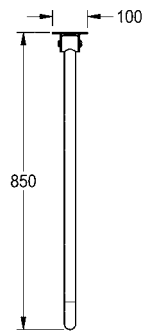
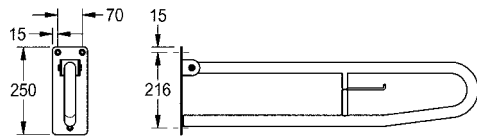
Right-hand version

<b>CNTX50WR</b>	2030038228
-----------------	------------



Type

Article Number



### CONTINA hinged grab rail

Foldable grab rail with toilet roll holder for wall mounting, stainless steel, surface satin finished, rough polishing for better surface feel, 32 mm pipe diameter, material thickness 1.2 mm, integrated toilet roll holder, prevention against unmeant folding, gum rubber stop absorber, inspected and certified product, 4 mm thick mounting plate with three fixing holes, includes stainless steel screws and dowels.

Dimensions 100 x 250 x 850 mm (W x H x D)

Complying with Norm ÖNORM B 1600:2017 (when upfolded, bar shows max. 20 cm towards room)

**CNTX73A** 2000103669

Lenght 700 mm

**CNTX70C** 2000057751

### CONTINA hinged grab rail

Foldable grab rail without toilet roll holder for wall mounting, stainless steel, surface satin finished, rough polishing for better surface feel, 32 mm pipe diameter, material thickness 1.2 mm, prevention against unmeant folding, gum rubber stop absorber, inspected and certified product, 4 mm thick mounting plate with three fixing holes, includes stainless steel screws and dowels.

Dimensions 100 x 250 x 850 mm (W x H x D)

Complying with Norm ÖNORM B 1600:2017 (when upfolded, bar shows max. 20 cm towards room)

**CNTX73B** 2000103670

Lenght 600 mm

**CNTX70E** 2000057753

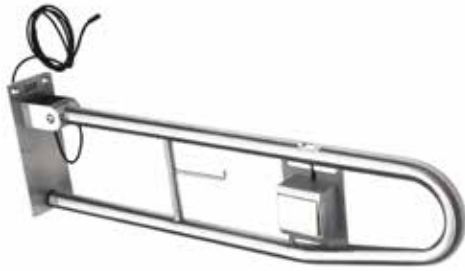
Lenght 700 mm

**CNTX70D** 2000057752

# CONTINA Accessible washroom equipment

Type

Article Number



## CONTINA foldable grab with electronic flush button

Foldable grab rail with electronic flush button for wall mounting, stainless steel, surface satin finished, material thickness 1.2 mm, flush button right, rough polishing for better surface feel, 32 mm pipe diameter, stirrup shape, integrated toilet roll holder, electronic flush button in front area, prevention against unmeant folding, gum rubber stop absorber, inspected and certified product, 4 mm thick mounting plate with three fixing holes, including stainless steel screws and dowels.

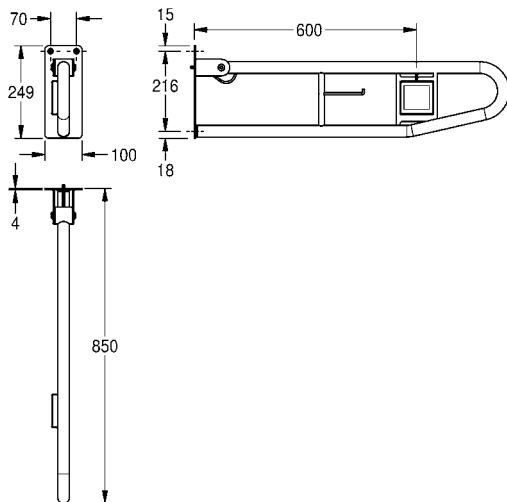
Dimensions 100 x 250 x 850 (W x H xD)

Protection class IP40

**CNTX72F-R** 2000103283

Foldable grab rail with electronic flush button, flush trigger left

**CNTX72F-L** 2000103284





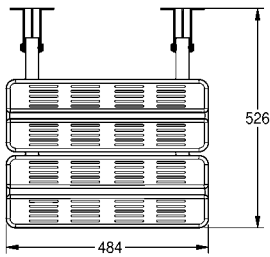
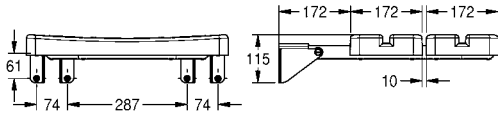


### CONTINA foldable shower seat

Foldable shower seat for wall mounting, stainless steel, surface satin finished, 32 mm pipe diameter, material thickness 1.2 mm, mounting through eight drilling holes, two prefixed white seat battens made of polyethylene, includes stainless steel screws and dowels.

Dimensions 484 x 115 x 526 mm (W x H x D)

**CNTX400A** 2000057738

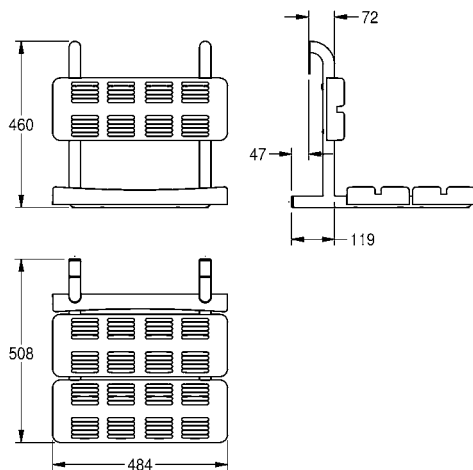


### CONTINA shower seat

Hanging shower seat manufactured from grade EN 1.4301 (304) stainless steel, no grab rail included. Anti theft device. Seating and back: white battens made from polyethylene.

Dimensions 484 x 460 x 508 mm (W x H x D)

**CNTX400WB** 2030041144



# CONTINA Accessible washroom equipment

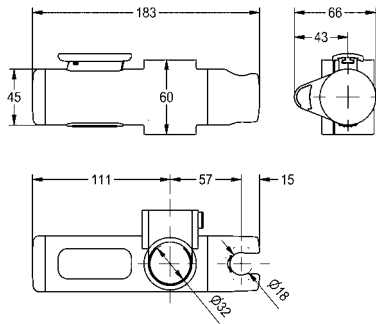
Type	Article Number
------	----------------

## CONTINA shower head holder

Showerhead holder to be mounted on grab rails with 32 mm diameter, chrome-plated ABS plastic, suitable for retrofit installation.

Dimensions 183 x 65 x 66 mm (W x H x D)

<b>CNTX268</b>	2030038268
----------------	------------

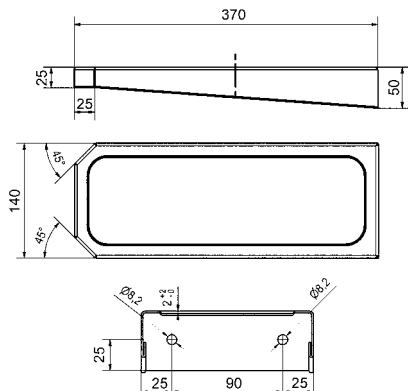


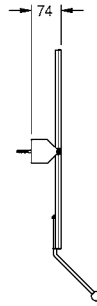
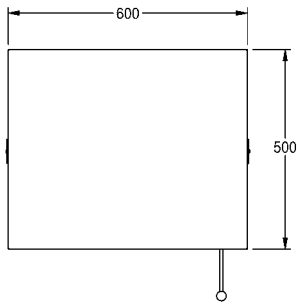
## CONTINA shelf

Shelf for wall mounting, made of 304 chrome-nickel steel, satin finished surface, material thickness 1.5 mm, without mounting material.

Dimensions 140 x 370 x 50 mm (W x H x D)

<b>CNTX007</b>	2030021878
----------------	------------





### CONTINA swingable mirror

Swingable mirror for wall mounting, mirror and brackets stainless steel, mirror with a reflective polished surface, brackets surface satin finished, material thickness mirror 8 mm, material thickness brackets 4 mm, reinforced with polystyrene plate and hidden fixings, reinforced 1.5 mm stainless steel bracket on backside, swingable due to premounted lever, lever can be mounted right or left, includes stainless steel screws and dowels.

Dimensions 600 x 500 x 74 mm (W x H x D)

**CNTX91**

2000057509



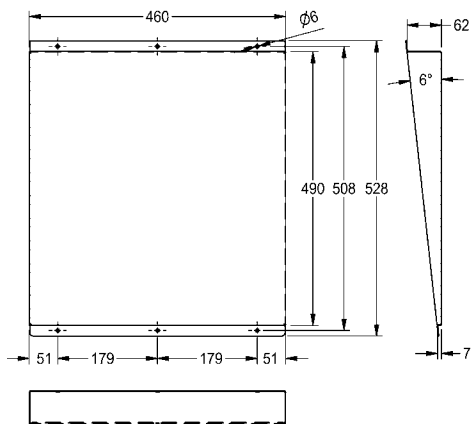
### HEAVY-DUTY Mirror

Stainless steel mirror for wall mounting, mirror with a reflective polished surface, material thickness 1 mm, mirror surface tilted towards user, six visible fixation points, includes stainless steel screws and dowels.

Dimensions 460 x 528 x 62 mm (W x H x D)

**M501HD**

2000103195





# High-security range

Safety issues are of prime importance for the furnishing of car park toilet facilities, in state prisons or at similar institutions. Only special, easy to clean sanitary fittings made of sturdy materials with intelligent, touch-free water controls developed especially for these applications, can ensure reliability and hygiene.

## High-security range

<b>KWC</b> ALL-IN-ONE Washbasin units	326
<b>KWC</b> HEAVY-DUTY, ANIMA Washbasins	328
<b>KWC</b> HEAVY-DUTY WC Pans, squat pan	329
<b>KWC</b> HEAVY-DUTY Urinal	331
<b>KWC</b> HEAVY-DUTY WC Washbasin combinations	332
<b>KWC</b> HEAVY-DUTY Accessories	336

# ALL-IN-ONE hand washbasin units

Type	Article Number
------	----------------



## ALL-IN-ONE washbasin unit for water, soap

Washing unit for installation in the wall, vandal-resistant, particularly suitable for public toilet facilities in car parks and parking decks. Function components accessible via service room. Complete unit with housing, user area and bowl made of stainless steel, surface brushed, welded. Bowl projection 125 mm.

Dimensions 475 x 530 x 390 mm (W x H x D)  
For the delivery of water and soap

Note: Necessary tap components and matching soap tank are not included in the scope of delivery of the washbasin.

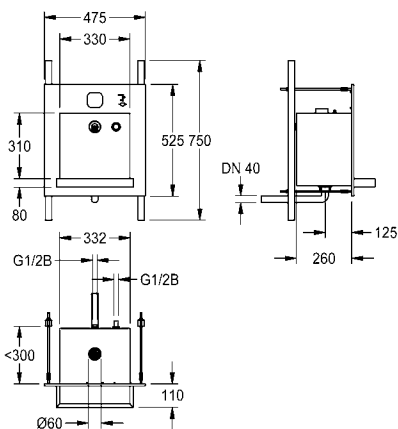
<b>ALIO330</b>	2000101445
----------------	------------

Necessary accessories

Soap tank for wall mounting in a utility room	<b>ZAQUA083</b>	2000101448
---	-----------------	------------

Electronic tap components for washbasin unit, for touch-free control of the water supply	<b>AQUA121</b>	2000101449
--	----------------	------------

AQUA 3000 open system accessories, see "AQUA 3000 open" section



## ALL-IN-ONE washbasin unit, barrier-free, for water, soap

Washing unit for installation in the wall, barrier-free version, vandal-resistant, particularly suitable for public toilet facilities in car parks and parking decks. Function components accessible via service room. Complete unit with housing, user area and bowl made of stainless steel, surface brushed, welded. Bowl projection 310 mm.

Dimensions 475 x 530 x 470 mm (W x H x D)  
For the delivery of water and soap

Note: Necessary tap components and matching soap tank are not included in the scope of delivery of the washbasin.

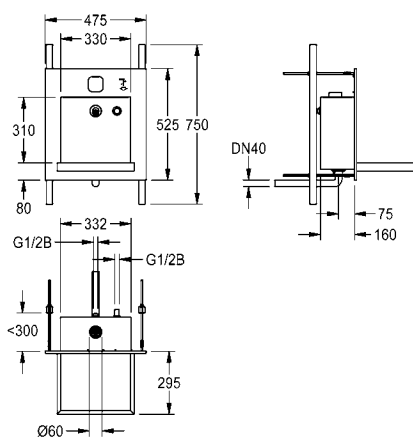
<b>ALIO335</b>	2000101447
----------------	------------

Necessary accessories

Soap tank for wall mounting in a utility room	<b>ZAQUA083</b>	2000101448
---	-----------------	------------

Electronic tap components for washbasin unit, for touch-free control of the water supply	<b>AQUA121</b>	2000101449
--	----------------	------------

AQUA 3000 open system accessories, see "AQUA 3000 open" section





### ALL-IN-ONE washbasin unit for water, soap, air

Washing unit for installation in the wall, vandal-resistant, particularly suitable for public toilet facilities in car parks and parking decks. Function components accessible via service room. Complete unit with housing, user area and bowl made of stainless steel, surface brushed, welded. Bowl projection 125 mm

Dimensions 475 x 530 x 390 mm (W x H x D)

For the delivery of water and soap with sequence control for hand dryer

Note: Necessary tap components and matching soap tank are not included in the scope of delivery of the washbasin.

**ALIO320**

2000101444

Necessary accessories

Electronic fitting components

**PWC300002**

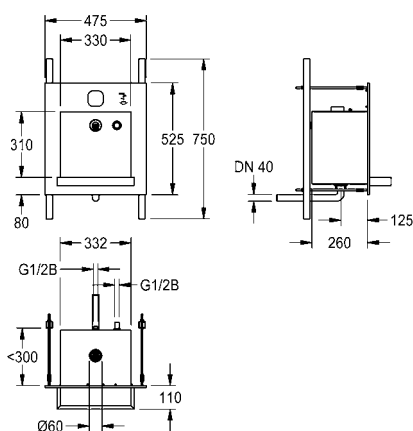
2030048572

Soap tank for wall mounting in a utility room

**ZAQUA083**

2000101448

AQUA 3000 open system accessories, see "AQUA 3000 open" section



### ALL-IN-ONE washbasin unit, barrier-free, for water, soap, air

Washing unit for installation in the wall, barrier-free version, vandal-resistant, particularly suitable for public toilet facilities in car parks and parking decks. Function components accessible via service room. Complete unit with housing, user area and bowl made of stainless steel, surface brushed, welded. Bowl projection 310 mm.

Dimensions 475 x 530 x 470 mm (W x H x D)

For the delivery of water and soap with sequence control for hand dryer

Note: Necessary tap components and matching soap tank are not included in the scope of delivery of the washbasin.

**ALIO325**

2000101446

Necessary accessories

Electronic fitting components

**PWC300002**

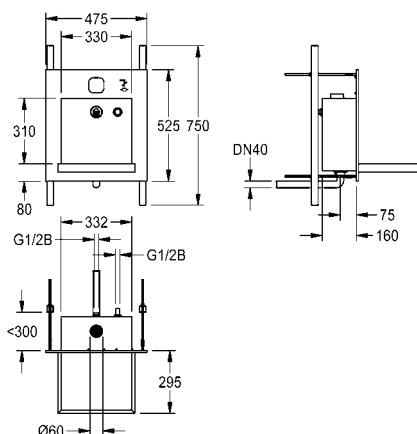
2030048572

Soap tank for wall mounting in a utility room

**ZAQUA083**

2000101448

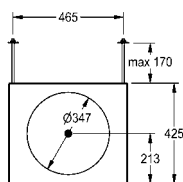
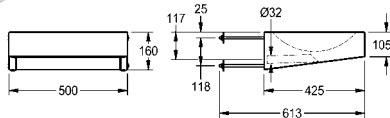
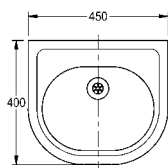
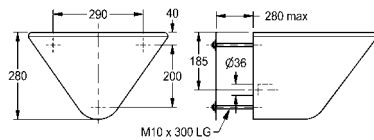
AQUA 3000 open system accessories, see "AQUA 3000 open" section



# HEAVY DUTY washbasins and WC pans

Type

Article Number



## HEAVY-DUTY single washbasin

Single wash basin **for vandalism resistant mounting**, stainless steel, surface satin finished, material thickness 1.2 mm, with 3 threaded rods for mounting through the wall via a service room, seamless welded bowl, 40 mm tap ledge, without taphole, without overflow, 1 1/4" flat perforated waste, includes hidden mounted siphon DN 32.

Dimensions 450 x 280 x 400 mm (W x H x D)

**HDTX450**

2000100349

## HEAVY-DUTY single washbasin

Wash basin for disabled **for vandalism resistant mounting**, hidden mounting with stainless steel rods through wall, fixing and service via maintenance room, stainless steel, surface satin finished, material thickness 1.2 mm, seamless welded round bowl with diameter 347 mm, without tap ledge, without overflow, seamless welded waste with 32 mm drain pipe, drainage centric, for recessed trap mounting - trap not included, includes stainless steel rods and nuts.

Dimensions 500 x 105/160 x 425 mm (W x H x D)

**HDTX455**

2000100058

## ANIMA single washbasin

Single wash basin for wall-mounting, made of stainless steel, surface satin finished, material thickness 1.2 mm. Seamless wash basin in one piece with rounded edges, tap landing without tap hole, strainer waste valve, DN 40/50 siphon included, without overflow. Mounting from the front, fixing material included. Wash basin suitable for areas exposed to vandalism and wheelchair users.

Dimensions of wash basin 460 x 170 x 490 mm (W x H x D)

Dimensions of bowl 420 x 140 x 360 mm (W x H x D)

**ANMX460**

2000102710

With 35 mm diameter tap hole, centered

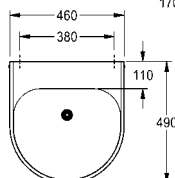
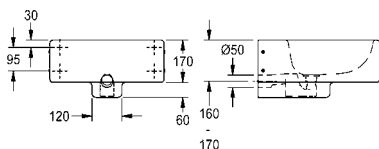
**ANMX461**

2000102711

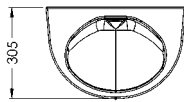
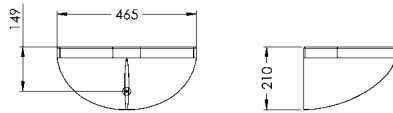
Version without tap ledge, dimensions 460 x 170 x 410 mm

**ANMX462**

2000102712







### Hand wash basin

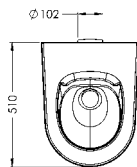
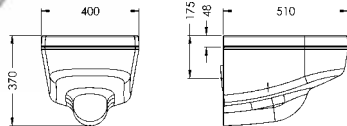
Wall mounted hand wash basin, manufactured with 8 mm thick reinforced fiberglass and impact-resistant plastic. Seamless design with a white (RAL 9016) easy-care gel coat surface. Anti-ligature and vandal resistant design, for use in high-security areas. Oval bowl without overflow or tap hole, with a DN 32 waste. Threaded M12 x 300 mm bolts **for vandalism resistant mounting** and siphon (not included) to be installed within a service room.

Dimensions 465 x 210 x 305 mm (W x H x D)

Bowl dimensions 339 x 210 x 250 mm (W x H x D)

**VR99-081**

2030053464



### Wall-mounted WC pan

Wall Hung WC Pan made of glass-fiber reinforced high impact resistant composite material and easily cleanable white colored (RAL 9016) gel-coated surface. Seamless manufactured pan with a material thickness of 8 mm. With through-wall M12 x 300 mm stainless steel all-thread studding **for vandalism resistant fixing** and service via maintenance room. Flushing certificated according to EN 997 with minimum 4 litre flushing capacity. Concealed horizontal rear waste outlet (diameter 100 mm) and flush inlet (diameter 55 mm).

Dimensions 400 x 370 x 510 mm (W x H x D)

**VR99-017**

2030039303

Blue-coloured toilet seat

**VR99-036**

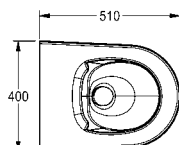
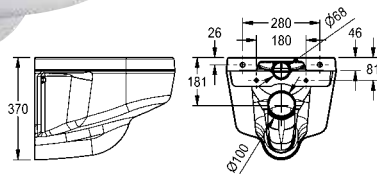
2030039327

Optional accessories

Bracket for wall hung pan

**VR01-018**

2030042528



### Wall mounted rimless WC pan

Wall mounted rimless WC pan, manufactured with 8 mm thick reinforced fiberglass and impact-resistant plastic. Seamless design with a white (RAL 9016) easy-care gel coat surface. Anti-ligature and vandal resistant design, for use in high-security areas. Flushing certified according to EN 997, with a 4 litre flush capacity, rear inlet (55 mm diameter) and rear horizontal outlet with siphon (diameter 100mm). Including stainless steel mounting plate in accordance with EN 33.

Dimensions 400 x 370 x 510 mm (W x H x D)

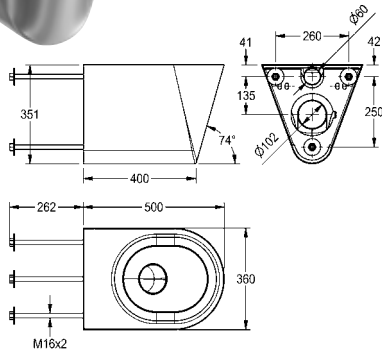
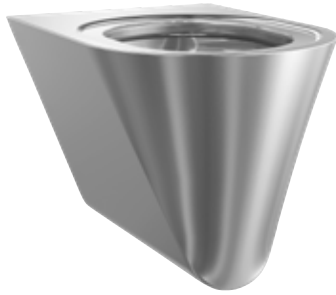
**VR99-086**

2030053462

# HEAVY-DUTY pans, urinal

Type

Article Number



## HEAVY-DUTY wall hung WC pan

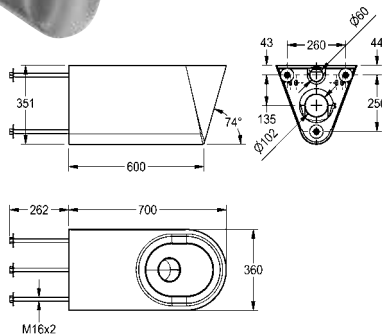
Wall hung WC pan, hidden mounting with stainless steel rods through wall, **fixing and service via maintenance room**, stainless steel, surface satin finished, material thickness 1.5 mm, flushing certificated to EN 997, concealed flushing rim with min. 4 liter flushing capacity, with a shrouded 100 mm diameter horizontal 'P' trap outlet, pressed seat area tapered towards centre, all edges curved, fixing with 280 mm stainless steel rods and screw nuts (included) through the wall. 4 litre flush EN 997 approved.

Without seat and lid

Dimensions 360 x 351 x 500 mm (W x H x D)

**HDTX592**

2000100447



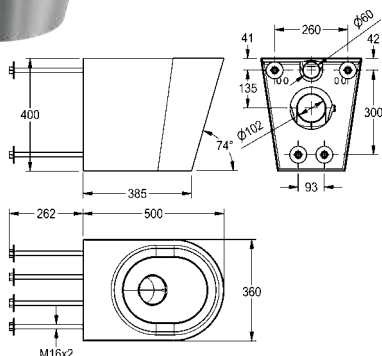
## HEAVY-DUTY wall hung WC pan

Wall hung WC pan for disabled, hidden mounting with stainless steel rods through wall, **fixing and service via maintenance room**, stainless steel, surface satin finished, material thickness 1.5 mm, flushing certificated to EN 997, concealed flushing rim with min. 4 liter flushing capacity, with a shrouded 100 mm diameter horizontal 'P' trap outlet, pressed seat area tapered towards centre, all edges curved, fixing with 280 mm stainless steel rods and screw nuts (included) through the wall.

Dimensions 360 x 351 x 700 mm (B x H x T)

**HDTX594**

2000100444



## CAMPUS floor standing WC pan

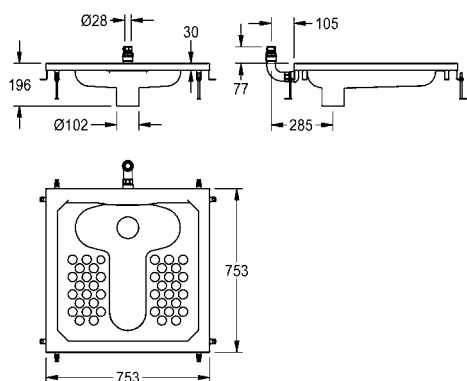
Campus floor standing WC pan for fitting through duct wall, manufactured from grade 1.4301 (304) stainless steel, material thickness 1.5 mm for the pan and shroud - satin polish finish. The WC incorporates a stainless steel P trap 102 mm o/d. A separate mounting plate and 4 bolts are provided for mounting the WC through a duct wall. The Campus WC has a pressed seating area that does not require a separate seat in vandal prone installations. However, a seat and lid can be fitted. Approval: Complies with BS EN 997 for 4.5 litre flushing. Also complies with the Australian and German test standards.

Without seat and lid

Dimensions 360 x 400 x 500 mm (W x H x D)

**HDTX597**

2000100729



### HEAVY-DUTY squat pan

Squat pan made of stainless steel, suitable for DN 20 in-wall flush valves, surface satin finished, material thickness 1 mm, 9 liter flushing capacity, with circular folded edge (22 mm), circular flushing rim, suicide-resistant. Vertical connection from behind with screw connection of 28 mm diameter, internal DN 100 waste outlet, fixing material and height adjustment included.

Dimensions 755 x 200 x 755 mm (W x H x D)

**HDTX504** 2000108804

#### Optional accessories

Polystyrene mounting support with wall connection elements and plastic mounting pins, dimensions 730 x 150 x 730 mm (W x H x D)

**ZCMPX004** 2000102731

Trap, vertical outlet DN 100

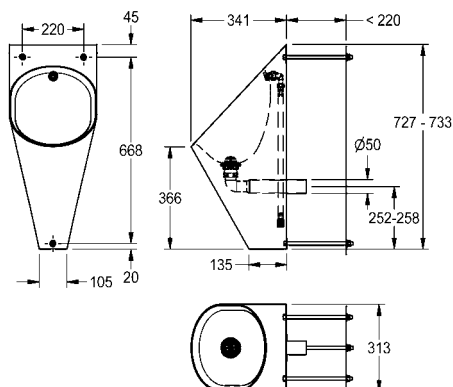
**ZCMPX002** 2000102733

Trap, horizontal outlet DN 100

**ZCMPX003** 2000102734

#### Note:

Suitable WC flushing valves, see "Flushing valves" section



### HEAVY-DUTY urinal

Single urinal, hidden mounting with stainless steel rods through wall (**for vandalism resistant mounting service room needed**), stainless steel, surface satin finished, material thickness 1.2 mm, oval bowl, hidden horizontal outlet towards wall, mounting and fixing conform to EN 80, hidden screws, inclusive wall fixing bolts. 4 liter flush. With stainless steel spreader 1/2", inclusive trap DN 50, inclusive domed waste.

Dimensions 313 x 733 x 342 mm (W x H x D)

**HDTX538** 2000101023

Version as wall-mounted urinal with invisible flushing control

**HDTX538RS** 2000103385

# HEAVY-DUTY WC washbasin combinations

Type

Article Number



## HEAVY-DUTY WC washbasin combination

Chromium nickel steel WC wash basin combination, satin finish surface for installing outside a utility room accessible from the back **with remotely controlled tap components for fitting in the service room**, fixing from the back with threaded pins. Mounting stand, material thickness 2 mm with elevated rear wall including wall outlet and press button operation, seamless welded WC paper compartment and seamless moulded wash basin with trap, outlet DN 40. WC pan, material thickness 1.6 mm with full-length skirting, arranged on the left 45 degrees, bowl rim where nothing can hide, flushing certified pursuant to EN 997, horizontal outlet at the back DN 100. Self-closing gate valve with remote control to connect to premixed hot water or cold water, closing automatically with no blow back. Condensation water-proof concealed cistern with single flush technology (9 or 6 litres) Including fixing material.

Overall dimensions 700 x 1000 x 670 mm (W x H x D)  
WC position on the left

**HDTX805L** 2000100953

Version with centrally arranged WC pan  
Dimensions 390 x 1000 x 780 mm (W x H x D)

**HDTX805M** 2000100954

Version with WC pan angled 45° to the right  
Dimensions 700 x 1000 x 670 mm (W x H x D)

**HDTX805R** 2000100955

Version with DN 20 flushing valve  
Version with centrally positioned WC pan,  
Dimensions 390 x 1000 x 780 mm (W x H x D)

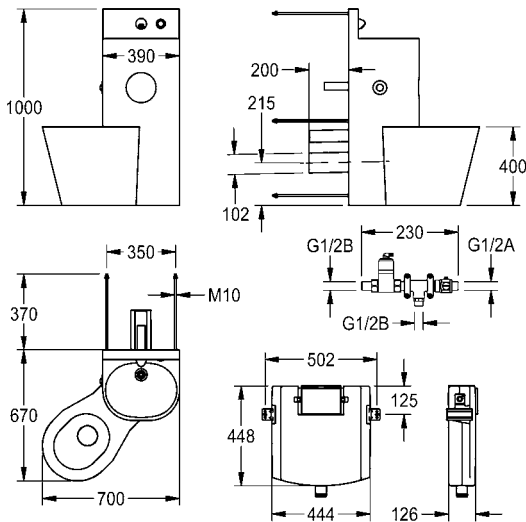
**HDTX0022** 2030005341

Version with DN 20 flushing valve  
Version with WC pan angled 45° to the right,  
Dimensions 700 x 1000 x 670 mm (W x H x D)

**HDTX0021** 2000108113

Version with DN 20 flushing valve  
Version with WC pan angled 45° to the left,  
Dimensions 700 x 1000 x 670 mm (W x H x D)

**HDTX0020** 2000108112



**HEAVY-DUTY WC washbasin combination**

Chromium nickel steel WC wash basin combination, satin finish surface, for installing against a wall, **with integrated electronic tap components**. Invisible fixing with grub screws, lockable inspection opening. Mounting stand, material thickness 2 mm with elevated rear wall including wall outlet and press button operation, seamless welded toilet paper roll compartment and seamless moulded oval wash basin with plastic trap. WC pan, material thickness 1.6 mm with full-length skirting, arranged on the left 45 degrees, bowl rim where nothing can hide, flushing certified pursuant to EN 997, horizontal outlet at the back DN 100. Self-closing gate valve with remote control to connect to premixed hot water or cold water, closing automatically with no blow back. Condensation water-proof concealed cistern with single flush technology (9 or 6 litres) Including fixing material.

Overall dimensions 809 x 1050 x 779 mm (W x H x D)

WC position on the left

**HDTX815L** 2000100965

Version with centrally arranged WC pan

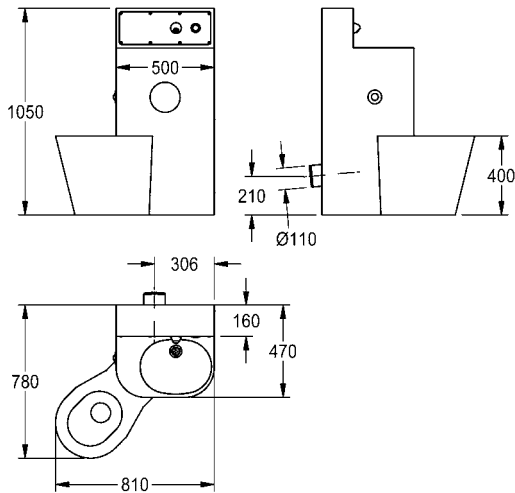
Dimensions 500 x 1050 x 890 mm (W x H x D)

**HDTX815M** 2000100966

Version with WC pan angled 45° to the right

Dimensions 809 x 1050 x 779 mm (W x H x D)

**HDTX815R** 2000100967



# HEAVY-DUTY WC washbasin combinations

Type

Article Number



## HEAVY-DUTY WC washbasin combination

Chromium nickel steel WC wash basin combination, satin finish surface for installing outside a utility room accessible from the back **with remotely controlled tap components for fitting in the service room**, fixing from the back with threaded pins. Mounting stand, material thickness 2 mm with elevated rear wall including wall outlet and piezo button with start/stop function with seamless welded WC paper compartment and seamless moulded wash basin with trap, outlet DN 40. WC pan, material thickness 1.6 mm with full-length skirting, arranged on the left 45 degrees, bowl rim where nothing can hide with piezo button for WC flushing, flushing certified pursuant to EN 997, horizontal outlet at the back DN 100. With solenoid to connect to premixed hot water or cold water. Condensation water-proof concealed cistern with single flush technology (9 or 6 litres) Supply voltage 24 V DC Including fixing material.



Overall dimensions 699 x 1000 x 669 (W x H x D)

**HDTX806L** 2000100956

Version with centrally arranged WC pan  
Dimensions 390 x 1000 x 780 mm (W x H x D)

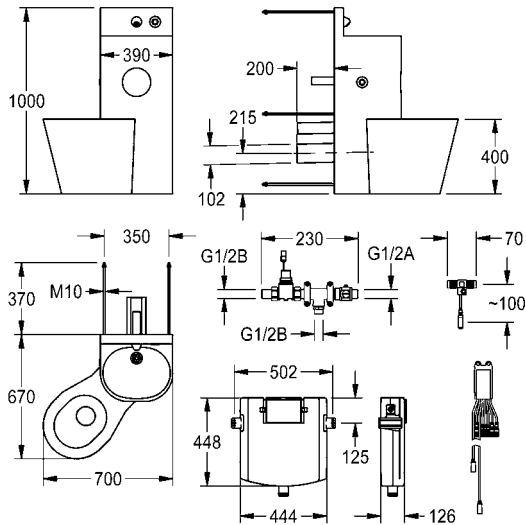
**HDTX806M** 2000100957

Version with WC pan angled 45° to the right  
Dimensions 699 x 1000 x 669 mm (W x H x D)

**HDTX806R** 2000100958

Necessary accessories

AQUA 3000 open system accessories, see "AQUA 3000 open" section





### HEAVY-DUTY WC washbasin combination

Chromium nickel steel WC washbasin combination, satin finish surface, for installing against a wall, **with integrated electronic tap components**. Invisible fixing with grub screws, lockable inspection opening Mounting stand, material thickness 2 mm with elevated rear wall including wall outlet and piezo button with start/stop function with seamless welded toilet paper roll compartment and seamless moulded wash basin with plastic trap. WC pan, material thickness 1.6 mm with full-length skirting, arranged on the left 45 degrees, bowl rim where nothing can hide with piezo button for WC flushing, flushing certified pursuant to EN 997, horizontal outlet at the back DN 100 With solenoid to connect to premixed hot water or cold water. Condensation water-proof concealed cistern with single flush technology (9 or 6 litres) Supply voltage 24 V DC Including fixing material.

Overall dimensions 810 x 1050 x 780 (W x H x D)

**HDTX816L** 2000100968

Version with centrally arranged WC pan

Dimensions 500 x 1050 x 890 mm (W x H x D)

**HDTX816M** 2000100969

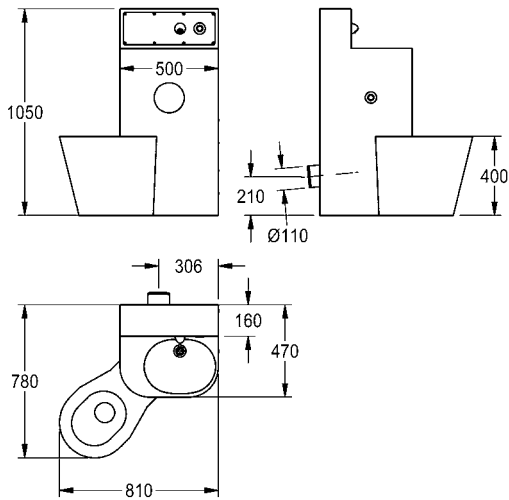
Version with WC pan angled 45° to the right

Dimensions 810 x 1050 x 780 mm (W x H x D)

**HDTX816R** 2000100970

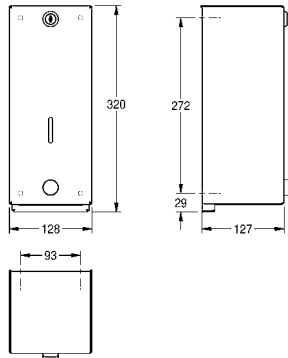
Necessary accessories

AQUA 3000 open system accessories, see "AQUA 3000 open" section



# HEAVY-DUTY accessories

Type	Article Number
------	----------------



## HEAVY-DUTY soap dispenser

Soap dispenser for wall mounting, stainless steel, surface satin finished, material thickness 14 gauge (2 mm), casing is held in place by a stainless steel rod fixed to the mounting plate and a security lock, suitable for liquid soaps and lotions, 1 liter soap tank, push button on front, includes stainless steel screws and dowels.

Dimensions 128 x 320 x 127 mm (W x H x D)

**SD300** 2000057729

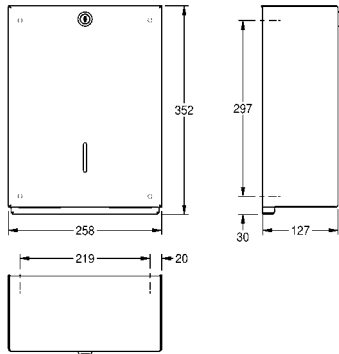
### Consumables

Liquid soap, 1 litre, 6 bottles per pack

**SO1LP** 2030058103

Liquid soap, in 10 litre canister

**SO10L** 2000057168



## HEAVY-DUTY paper towel dispenser

Paper towel dispenser for wall mounting, stainless steel, surface satin finished, material thickness 14 gauge (2 mm), complete closed casing, casing is held in place by a stainless steel rod fixed to the mounting plate and a security lock, loading capacity 400 - 600 pcs. of paper depending on convolution, includes stainless steel screws and dowels.

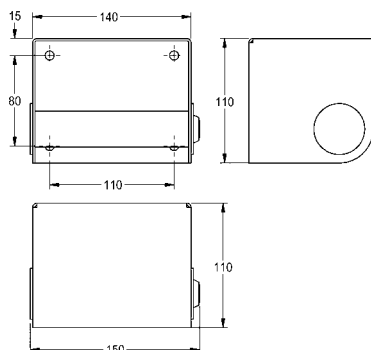
Dimensions 258 x 352 x 127 mm (W x H x D)

**TD350** 2000057407

### Consumables

Folded paper towels, 225 items per pack, 20 packs per case

**FH70P** 2030072378



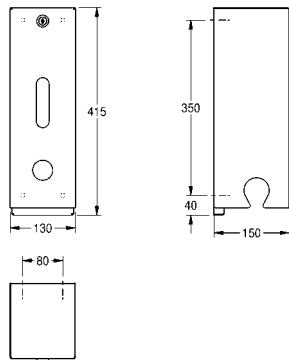
## HEAVY-DUTY toilet roll holder

Toilet roll holder for wall mounting, stainless steel, surface satin finished, material thickness 14 gauge (2 mm), replaceable spindle secured by heavy-duty lock, for 1 roll with maximum 130 mm width, includes stainless steel screws and dowels.

Dimensions 140 x 110 x 110 mm (W x H x D)

**HDTX0001** 2030005623





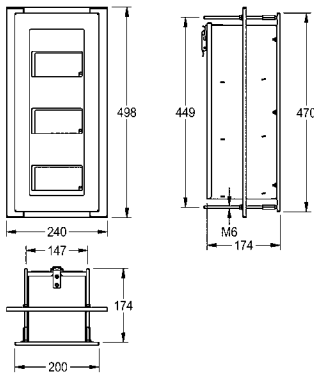
### HEAVY-DUTY toilet roll holder

Toilet roll holder for wall mounting, stainless steel, surface satin finished, material thickness 14 gauge (2 mm), casing is held in place by a stainless steel rod fixed to the mounting plate and a security lock, paper withdrawal over tear-off edge, for three rolls with max. 120 mm width and max. diameter 115 mm, without spindles, reserve rolls visible, inclusive stainless steel screws and dowels.

Dimensions 130 x 415 x 150 mm (W x H x D)

**HDTX674**

2000057081



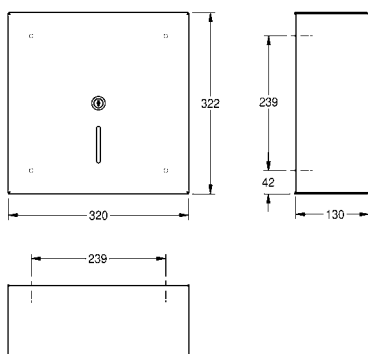
### HEAVY-DUTY toilet roll holder

Triple toilet roll holder with spindle system for recessed mounting and re-filling from service room behind the wall, stainless steel, surface satin finished, material thickness 1.5 mm, mounting with stainless steel threaded rods trough the wall, for 3 rolls with max. diameter 120 mm, all 3 rolls accessible from the front, includes stainless steel rods and nuts.

Dimensions 240 x 498 x 174 mm (W x H x D)

**HDTX675E**

2000103188



### HEAVY-DUTY Jumbo toilet roll holder

Jumbo roll holder for wall mounting, stainless steel, surface satin inished, material thickness 14 gauge (2 mm), casing is held in place by stainless steel rod fixed to the mounting plate and a security lock, paper withdrawal over two tear-off edges, for 1 roll with max. diameter 300 mm, includes stainless steel screws and dowels.

Dimensions 320 x 322 x 130 mm (W x H x D)

**RH320**

2000057717

# HEAVY-DUTY accessories

Type	Article Number
------	----------------

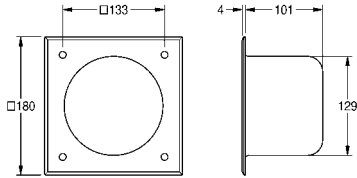


## HEAVY-DUTY toilet paper roll compartment

Toilet paper roll compartment for installation in walls, stainless steel, material thickness 2,0 mm, visible surface satin finished. Round insert compartment for one WC paper roll. Mounting from front. With 4 mounting holes, fixing material included.

Dimensions 180 x 180 x 105 mm (W x H x D)

<b>HDTX673E</b>	2000102704
-----------------	------------



## HEAVY-DUTY clothes hook

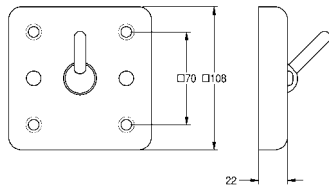
Coat hook for on-wall installation, stainless steel, material thickness 2 mm, visible surface satin finished. Safety hook tilts downwards when overloaded (5kg), projection 30 mm from wall plate. Mounting from the front with screws. M6S plastic dowels to be provided by the builder.

Dimensions 108 x 108 x 52 mm (W x H x D)

<b>HDTX692</b>	2000090046
----------------	------------

Version for installation from the rear, with threaded pins for vandalism-resistant installation via utility room

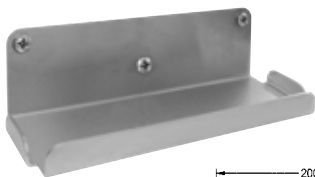
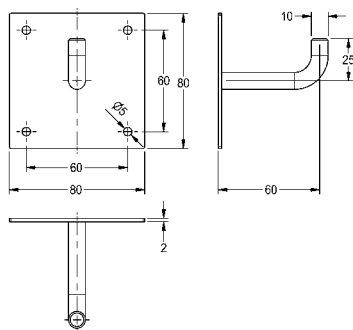
<b>HDTX693</b>	2000090047
----------------	------------



## HEAVY DUTY coat hook

Coat hook for wall mounting, stainless steel, surface satin finished, material thickness 2 mm, mounting from front. For covering the mounting plate with plaster after fixing to wall, incl. stainless steel screws and dowels.

<b>HDTX691</b>	2030022465
----------------	------------



## HEAVY-DUTY storage shelf for wall mounting

Shelf for wall mounting, stainless steel, surface satin finished, material thickness 2 mm, rounded edges, protection edge at front, Includes stainless steel crosshead screws and dowels.

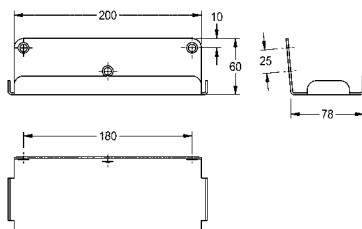
Dimensions 213 x 60 x 80 mm (W x H x D)

<b>HDTX644</b>	2000103076
----------------	------------

Optional accessories

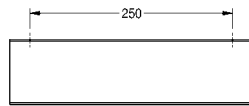
BX security system HD consisting of: 2 screws, 2 heavy duty wall plugs, 1 key (= set)

<b>BF22HD</b>	2000101366
---------------	------------



Type

Article Number



### HEAVY-DUTY storage shelf

Shelf for wall mounting, stainless steel, surface satin finished, material thickness 2 mm, rounded edges, protection edge at front. Inclusive stainless steel crosshead screws and dowels.

Dimensions 300 x 30 x 80 mm (W x H x D)

**AL300HD** 2000056718

Width 500 mm

**TA500HD** 2000102702

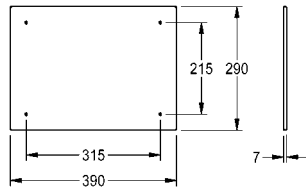
Width 600 mm

**TA600HD** 2000090054

Optional accessories

BX security system HD consisting of: 2 screws, 2 heavy duty wall plugs, 1 key (= set)

**BF22HD** 2000101366



### HEAVY-DUTY mirror

Stainless steel mirror, high polished, material thickness 1.0 mm, continuous bevelling, anti-theft front-wall mounting system through underlaid polystyrene plate with concealed fastening (adhesive tape), mounting material included.

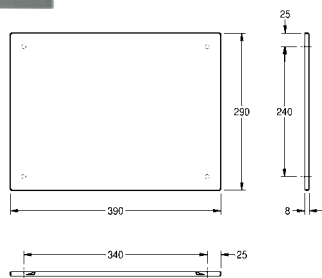
Dimensions 390 x 290 x 7 mm (W x H x D)

**HDTX0013** 2030020885

Dimensions 490 x 390 x 7 mm (W x H x D)

**HDTX0014** 2030020886

**HDTX0015** 2030020887



### HEAVY-DUTY mirror

Stainless steel mirror for wall mounting, mirror with a reflective polished surface, material thickness 1 mm, hidden thief resistant fixings, reinforced with polystyrene plate, includes stainless steel screws and dowels.

Dimensions 390 x 290 x 8 mm (W x H x D)

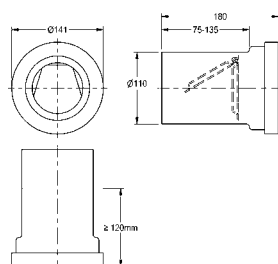
**M400HD** 2000057089

Dimensions 490 x 390 mm (W x H)

**M500HD** 2000057090

Dimensions 590 x 490 mm (W x H)

**M600HD** 2000057091



### Communication stopper

Communication preventer for the use in prisons to prevent communication between prison cells using the WC pipework, for connection to WC flushing pipes DN 100, material PE (weldable), EN 997 approved, EN 476 approved, DIN 1389 approved.

**ZCMPX0001** 2000102705





# Cleaning basins

A wide array of equipment is available, ranging from washing troughs, multi purpose and workroom sinks and sludge traps, all the way to systems for cleaning shoes and boots, and stands for utilisation in workshops, general industrial applications, laboratories, retail trade and in the food-processing industry.

The sanitary equipment is made of stainless steel or resinbonded mineral granite; its robustness and smooth, porefree surface make it extremely hard-wearing and easy to care for.

The selection is supplemented with multi-purpose sinks made of fibreglass-reinforced plastic.

Cleaning basins made of stainless steel, GRP and mineral granite

<b>KWC</b> SIRIUS Washtroughs made of stainless steel	342
<b>KWC</b> SIRIUS Multi-purpose sinks, disposal sink, cleaner sinks, plaster sinks made of stainless steel and GRP	344
<b>KWC</b> SIRIUS Workroom sinks, sludge collecting basin made of stainless steel	354
<b>KWC</b> SIRIUS Shoe- and boot cleaning unit made of stainless steel	356
<b>KWC</b> Cleaning basins, classroom sink made of mineral granite	358
<b>KWC</b> Cleaning basins, washtub, cleaning table made of mineral granite	360
<b>KWC</b> Workroom sinks made of mineral granite	361
<b>KWC</b> Sludge collecting basin, foot tub, disposal sink made of mineral granite	363
<b>KWC</b> Shoe- and boot cleaning units made of mineral granite	364

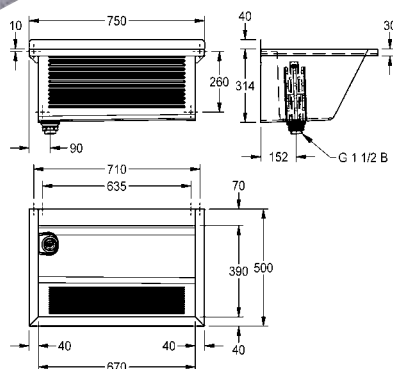
# SIRIUS washtroughs

Type Article Number



## SIRIUS washtrough

SIRIUS washtrough for wall mounting, stainless steel, satin finished surface, material thickness of trough 0.8 mm / side panels 1.2 mm, side panels with integrated wall brackets, seamlessly welded, front panel with rubbing board, 70 mm lowered tap ledge, no overflow, 40 mm rear upstand, left hand waste, G 1 1/2 B plastic standpipe strainer, removable corner protection plate, includes fixings.



Dimensions 750 x 354 x 500 mm (W x H x D)  
Bowl dimensions 670 x 314 x 390 mm (W x H x D)

**BS313N** 2030045753

right hand waste

**BS314N** 2030045754

Optional accessories

Splashback made of chromium nickel steel

**ZSIRX0040** 2030047341

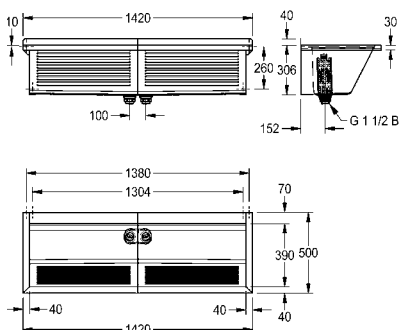
Folding grid (loose) made of chromium nickel steel

**ZSIRX001** 2000102678



## SIRIUS washtrough

SIRIUS washtrough with 2 basins for wall mounting, stainless steel, satin finished surface, material thickness of trough 0.8 mm / side panels 1.2 mm, seamlessly welded side panels with integrated wall brackets, front panel with rubbing board, 70 mm lowered tap landing, no overflow, 40 mm rear upstand, 2 central wastes, G 1 1/2 B plastic standpipe strainers (x2), removable corner protection plates, includes fixings.



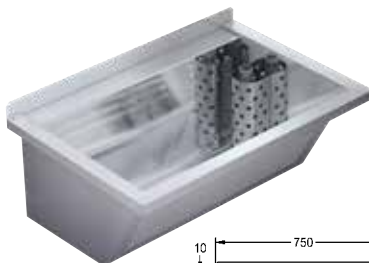
Dimensions 1420 x 346 x 500 mm (W x H x D)  
Bowl dimensions 670 x 306 x 390 mm (W x H x D)

**BS315N** 2030045755

Optional accessories

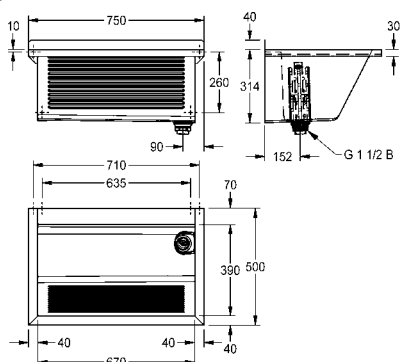
Folding grid (loose) made of chromium nickel steel

**ZSIRX001** 2000102678



## SIRIUS washtrough

SIRIUS washtrough for wall mounting, chromium steel, surface high polished, material thickness of trough 0.8 mm / side panels 1.2 mm, side panels with integrated wall brackets, seamlessly welded, front panel with rubbing board, 70 mm lowered tap landing, no overflow, 40 mm rear upstand, right hand drain, G 1 1/2 B plastic standpipe strainer, removable corner protection plate, fixings included.



Dimensions 750 x 354 x 500 mm (W x H x D)  
Bowl dimensions 670 x 314 x 390 mm (W x H x D)

**CA210/2N** 2030045758

left hand waste

**CA210/7N** 2030045759

Optional accessories

Splashback made of chromium steel

**ZSIRX0042** 2030049575

Folding grid (loose) made of chromium nickel steel

**ZSIRX001** 2000102678



### SIRIUS washtrough

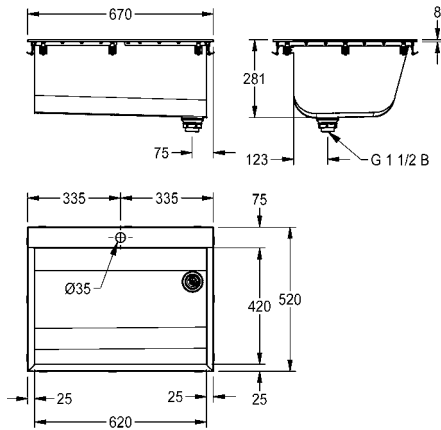
SIRIUS washtrough for inset mounting, stainless steel, satin finished surface, material thickness of trough 0.8 mm / side panels 1.2 mm, seamlessly welded, front panel without rubbing board, 75 mm tap landing, with 35 mm tap hole, no overflow, right hand drain, G 1 1/2 B plastic standpipe strainer, includes seals and fixing claws for inset mounting.

Dimensions 670 x 281 x 520 mm (W x H x D)  
Bowl dimensions 620 x 281 x 420 mm (W x H x D)  
Cut out size 655 x 505 mm (W x D)

**BS323N** 2030045756

without tap hole

**BS324N** 2030045757



### SIRIUS washtrough

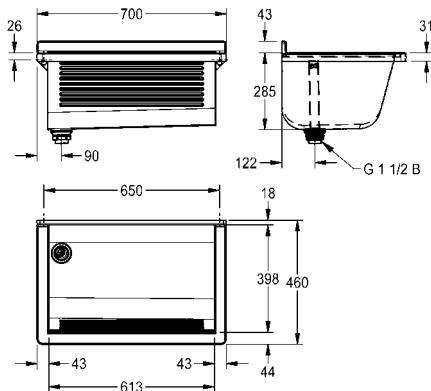
SIRIUS washtrough for wall mounting, stainless steel, satin finished surface, material thickness of trough 0.8 mm / side panels 1.2 mm, side panels with integrated wall brackets, seamlessly welded, front panel with rubbing board, no tap ledge, no overflow, with grey plastic frame, 43 mm rear upstand, left hand waste, G 1 1/2 B plastic standpipe strainer, includes fixings.

Dimensions 700 x 328 x 460 mm (W x H x D)  
Bowl dimensions 613 x 285 x 398 mm (W x H x D)

**BS311N** 2030045749

right hand waste

**BS312N** 2030045750



# SIRIUS washtroughs, multi-purpose sinks

Type Article Number

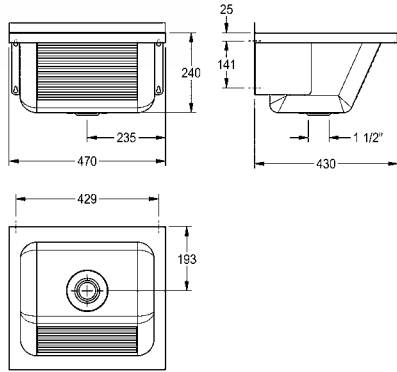


## SIRIUS washtrough

Multi-purpose utility sink for wall mounting, stainless steel, surface satin finished, material thickness 0.8 mm, front panel with riffle, 1 1/2" centric plug waste, with overflow, 30 mm rear upstand, prewelded mounting brackets, includes stainless steel screws and dowels.

Dimensions 470 x 270 x 430 mm (W x H x D)

**LTJ450** 2000057085

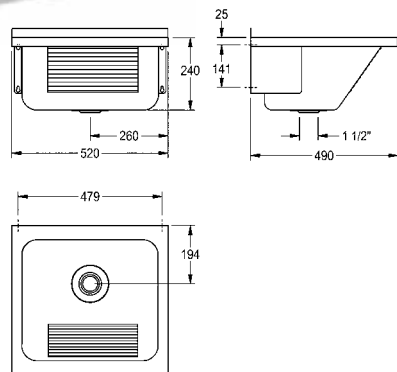


## SIRIUS washtrough

Multi-purpose utility sink for wall mounting, stainless steel, surface satin finished, material thickness 0.9 mm, front panel with riffle, 1 1/2" centric plug waste, with overflow, 30 mm rear upstand, prewelded mounting brackets, inclusive stainless steel screws and dowels.

Dimensions 520 x 270 x 490 mm (W x H x D)

**LTJ500** 2000057087



Optional accessories

Folding grid (loose) made of chromium nickel steel

**ZSIRX001** 2000102678

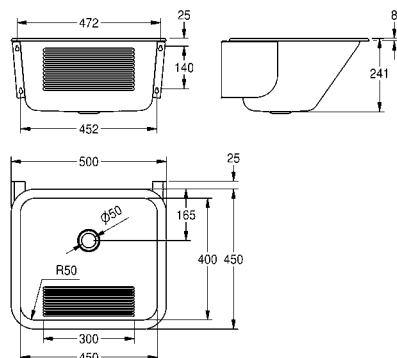


## SIRIUS multi-purpose sink

Multi-purpose utility sink for wall mounting, stainless steel, surface satin finished, material thickness 0.9 mm, front panel with riffle, 1 1/2" flat perforated waste, prewelded mounting brackets.

Dimensions 500 x 241 x 450 mm (W x H x D)

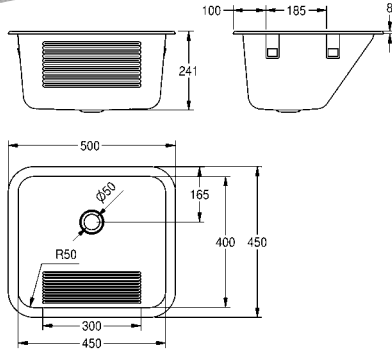
**SIRX340** 207.0000.056





Type

Article Number

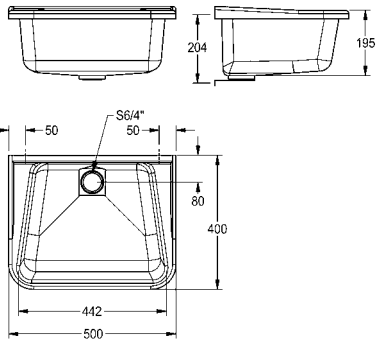


### SIRIUS multi-purpose sink for inset mounting

Multi-purpose sink for inset mounting, stainless steel, surface satin finished, material thickness 0.9 mm, front panel with raffle, 1 1/2" flat perforated waste, includes washer and clamps for inset mounting.

Dimensions 500 x 241 x 450 mm (W x H x D)

<b>SIRX342</b>	207.0000.055
----------------	--------------



### Multi-purpose sink

Wall mounted multi-purpose sink bowl manufactured from glass fibre reinforced polyester, without tap holes (for use with wall mounted taps), 38 mm BSP waste fitting with a standing plug/overflow tube and complete with wall brackets.

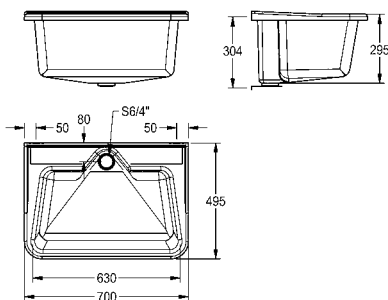
Dimensions 500 x 220 x 400 mm (W x H x D)

Colour white

<b>MB5040</b>	2000103435
---------------	------------

Colour decor-grey

<b>MB5044</b>	2000100090
---------------	------------



### Multi-purpose sink

Wall mounted multi-purpose sink bowl, manufactured from glass fibre reinforced polyester, without tap holes (for use with wall mounted taps), 38 mm BSP waste fitting with 1 1/2" standing plug/overflow tube, complete with wall brackets.

Dimensions 700 x 320 x 495 mm (W x A x D)

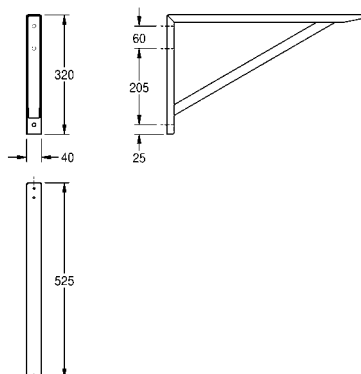
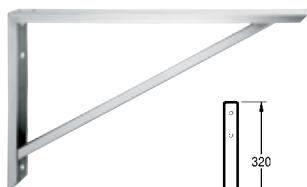
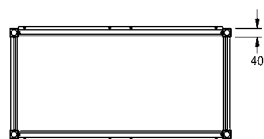
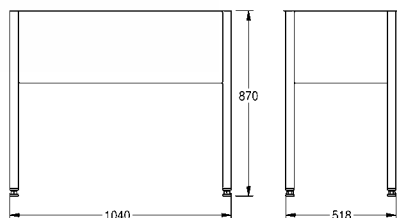
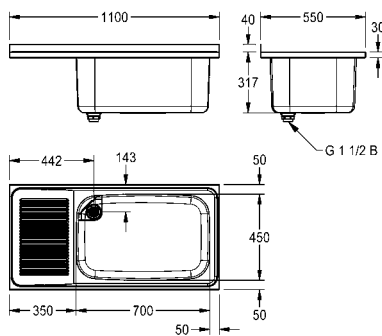
Colour white

<b>MB7050</b>	2000103436
---------------	------------

Colour decor-grey

<b>MB7054</b>	2000100092
---------------	------------

# SIRIUS multi-purpose sinks, accessories



Type	Article Number
------	----------------

## SIRIUS multi-purpose sink

Multi-purpose sink for inset or wall mounting, stainless steel, surface satin finished, material thickness 1.2 mm, deep drawn seamless welded bowl, 1 1/2" waste with standpipe strainer, drain board with riffle, 40 mm rear upstand, wall mounting brackets optional.

One bowl, drainboard left, width 1100 mm  
 Dimensions 1100 x 357 x 550 mm (W x H x D)  
 Bowl Dimensions 700 x 300 x 450 mm (W x H x D)

<b>BS351</b>	2000100062
--------------	------------

Drip section right

<b>BS352</b>	2000100063
--------------	------------

Two bowls (centric), two drain boards, width 2200 mm

<b>BS353</b>	2000100064
--------------	------------

## SIRIUS underframe

Stainless steel, working height 900 mm including commercial sink. Apron 300 mm deep on all sides. Four adjustable feet. Underframe in supply fragmented.

Dimensions 1040 x 870 x 518 mm (W x H x D)  
 for BS351 and BS352

<b>U701V</b>	2000100784
--------------	------------

Underframe suitable for BS353,  
 dimensions 2140 x 870 x 518 mm (W x H x D)

<b>U702V</b>	2000100785
--------------	------------

## SIRIUS bracket

Bracket for wall mounting, stainless steel, surface satin finished, material thickness 1.5 mm, includes stainless steel screws and dowels.

Dimensions 40 x 320 x 525 mm (W x H x D)

<b>BS354</b>	2000056824
--------------	------------

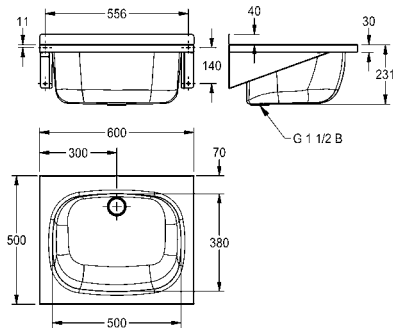
**SIRIUS multi-purpose sink**

Multi-purpose sink, for wall mounting, stainless steel, surface satin finished material thickness 1,2 mm, seamless welded bowl, without overflow, 1 1/2" plug waste with plastic overflow pipe, drainage back centric, with 70 mm tap ledge, with 40 mm rear upstand, including mounting material, includes mounting brackets loose.

Dimension 600 x 271 x 500 mm (W x H x D)  
Bowl dimension 500 x 231 x 380 (W x H x D)

**BS330**

207.0483.167

**SIRIUS multi-purpose sink**

Multi-purpose sink, for wall mounting, stainless steel, surface satin finished, material thickness 1 mm, seamless welded bowl, without overflow, with 1 1/2" plug waste with plastic overflow pipe, drainage back centric, with tap ledge 70 mm, with 40 mm rear upstand, with drainboard left 450 mm, including mounting material, including integrated brackets.

Dimension 1000 x 270 x 500 mm (W x H x D)  
Bowl dimension 500 x 230 x 380 mm (W x H x D)

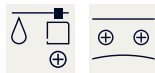
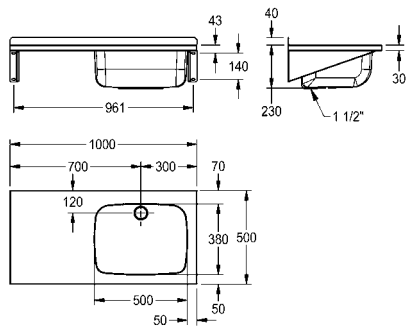
**BS332**

2000100077

Shelf, right

**BS333**

2000100078

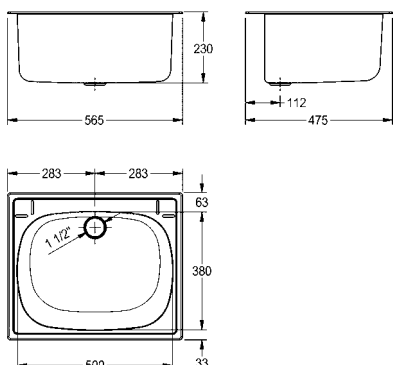
**SIRIUS multi-purpose sink for inset mounting**

Multi-purpose sink for inset mounting, stainless steel, surface satin finished, material thickness 1 mm, seamless welded bowl with dimensions 500 x 380 x 230 mm, 1 1/2" plug waste with plastic overflow pipe, drainage back centric, includes washer and clamps for inset mounting.

Outcut diameter 540 x 450 mm  
Dimensions 565 x 230 x 475 mm (W x H x D)

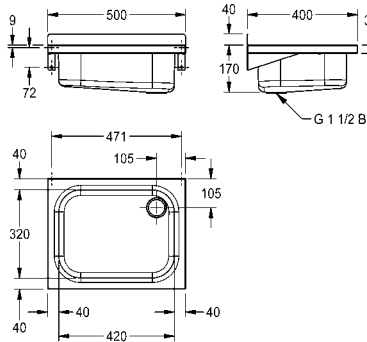
**BS340**

2000057989



# SIRIUS multi-purpose, utility sinks

Type	Article Number
------	----------------



## SIRIUS utility sink

Sink, for wall mounting, stainless steel, surface satin finished, material thickness 1,2 mm, seamless welded bowl, without overflow, with 1 1/2" plug waste with plastic overflow pipe, drainage back right, without tap ledge, with rear upstand 40 mm, without hinged grate, includes mounting material and mounting brackets loose.

Dimension 500 x 210 x 400 mm (W x H x D)  
Bowl dimension 420 x 170 x 320 (W x H x D)

<b>BS303</b>	2000090080
--------------	------------

With folding grid

<b>BS302</b>	207.0000.057
--------------	--------------

Optional accessories

Rear wall, dimensions 500 x 210 x 12 mm (W x H x D)

<b>BS304</b>	2000100939
--------------	------------

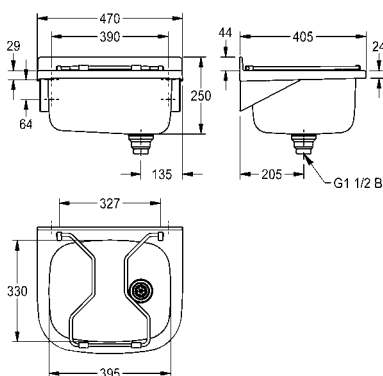
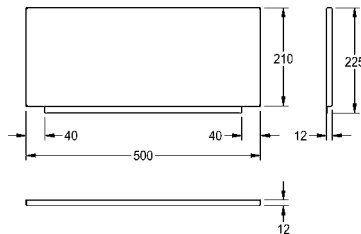


## SIRIUS splash back

Splash back for attaching to utility sink, stainless steel, material thickness 1 mm, surface satin finished.

Dimensions 500 x 225 x 12 mm (W x H x D)

<b>BS304</b>	2000100939
--------------	------------



## SIRIUS utility sink

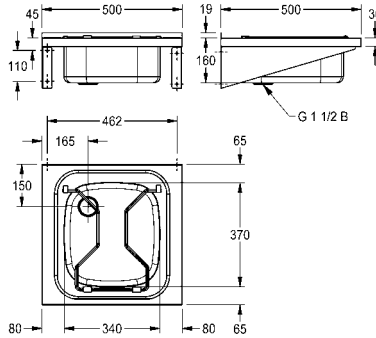
Utility sink for wall mounting, stainless steel, surface satin finished, material thickness 1 mm, rounded edges, with grey plastic frame, with folding grid, G 1 1/2 B plastic standpipe strainer, right hand drain, with 44 mm rear upstand, fixings included.

Dimensions 470 x 250 x 405 mm (W x H x D)  
Bowl dimensions 395 x 200 x 330 mm (W x H x D)

<b>BS300N</b>	207.0599.542
---------------	--------------

without folding grid

<b>BS301N</b>	207.0599.545
---------------	--------------



### SIRIUS utility sink

Utility sink for wall mounting, stainless steel, surface satin finished, material thickness 1.5 mm, seamless welded bowl with dimensions 370 x 340 x 160 mm, rounded edges, 1 1/2" plug waste with plastic overflow pipe, drainage back left, 20 mm rear upstand, inclusive stainless steel grid with rubber bumps, with two brackets, includes stainless steel screws and dowels.

Dimensions 500 x 180 x 500 mm (W x H x D)

**WB500GV**

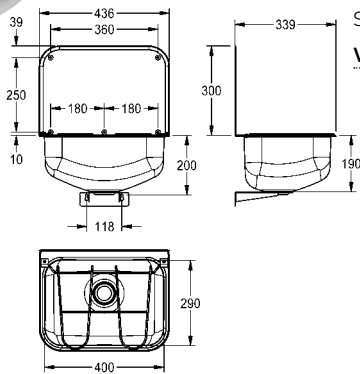
2000057408

#### Optional accessories

Rear wall made of chromium nickel steel, attachable, suitable for WB500GV, material thickness 0.9 mm, dimensions 500 x 250 mm (W x H)

**F831**

2000057029



### SIRIUS utility sink

Utility sink for wall mounting, stainless steel, surface satin finished, material thickness 0.8 mm, seamless welded bowl with dimensions 436 x 190 x 339 mm, 1 1/2" flat perforated waste, drainage back centric, 436 x 300 mm splash back, includes stainless steel grid with rubber bumps, includes stainless steel screws, dowels and bracket.

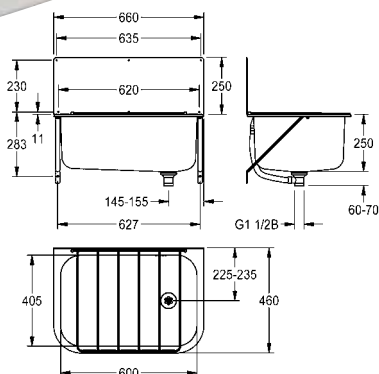
Dimensions 436 x 190 x 339 mm (W x H x D)

Bowl Dimensions 400 x 190 x 290 mm (W x H x D)

Splashback 436 x 300 mm (W x H)

**WB440COP**

2000100353



### SIRIUS multi-purpose sink

Multi-purpose sinks for wall mounting, made of 304 chrome-nickel steel, satin finished surface, seamless welded wash basin, rounded edges. Without tap ledge, with folding grid and splashback, waste fitting at the right in the middle, waste set with ball stop valve and overflow set DN 40, with overflow and rear upstand. With brackets, including mounting material.

Material thickness 1.5 mm

Dimensions 660 x 250 x 460 mm (W x H x D)

Internal dimensions 600 x 250 x 405 mm (W x H x D)

Upstand 20 mm (H)

Splashback 660 x 250 mm (W x H)

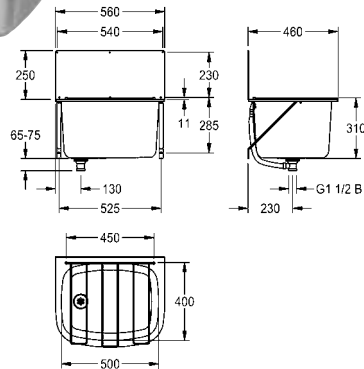
**SIRX355**

2000103647

# SIRIUS multi-purpose, utility sinks

Type

Article Number



## SIRIUS multi-purpose sink

Multi-purpose sink for wall mounting, made of 304 chrome-nickel steel, satin finished surface, seamless welded wash basin, rounded edges. Without tap ledge, with folding grid and splashback, waste fitting at the left in the middle, waste set with ball stop valve and overflow set DN 40, with overflow and rear upstand. With brackets, includes mounting material.

Material thickness 1.5 mm

Dimensions 560 x 310 x 460 mm (W x H x D)

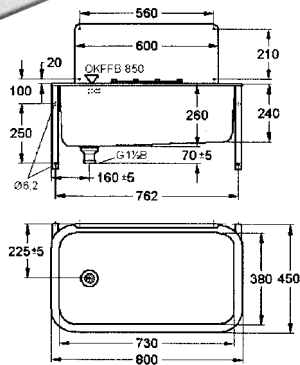
Internal dimensions 500 x 310 x 400 mm (W x H x D)

Upstand 20 mm (H)

Splashback 560 x 250 mm (W x H)

**SIRX360**

2000103649



## SIRIUS multi-purpose sink

Wall mounted multi-purpose sink, stainless steel, surface stain finished, material thickness 1.5 mm, seamless welded bowl, rounded edges. Without tap ledge, with folding grid and splashback, waste left centered, G 1 1/2 B waste and overflow set, with overflow, without rear upstand. With wall brackets, mounting material included.

Dimensions 800 x 260 x 450 mm (W x H x D)

Inside dimensions 730 x 260 x 380 mm (W x H x D)

Splashback 600 x 250 mm (W x H)

**SIRX356**

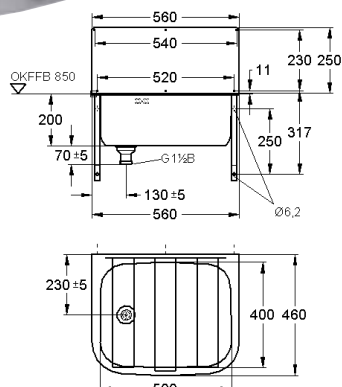
2000103648

Optional accessories

Edge protection profile, plastic

**ESIRX0036**

2000105276



## SIRIUS utility sink

Wall mounted cleaners sink made of stainless steel, surface satin finished, material thickness 1.0 mm. Without tap landing, with 20 mm rear upstand, G 1 1/2 B waste and overflow set, left centred, with integrated wall brackets, mounting material included.

Dimensions 560 x 200 x 460 mm (W x H x D)

**SIRX364**

2000103260



### SIRUS utility sink

Wall basin for wall mounting, chromium nickel steel, surface silken, seamless basin, rounded edges. Without faucet, with folding grate and spout, drain at the center, plug waste and overflow set DN 40, with overflow, with rear upstand. Integrated consoles, includes mounting hardware.

Material thickness 1.0 mm

Dimensions 460 x 135 x 405 mm (W x H x D)

Inside dimensions 430 x 135 x 365 mm (W x H x D)

Upstand 20 mm (H)

Splash wall 460 x 185 mm (W x H)

**SIRX368**

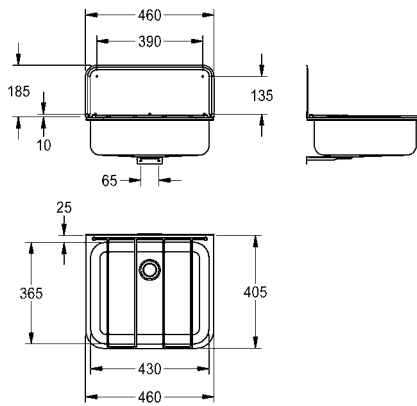
2000103269

Optional accessories

Edge protection profile, plastic

**ESIRX0036**

2000105276



### Basin to be installed from above

Small rimmed edged bowl for inseting into worktops. Manufactured from 0.9 mm thick grade 1.4301 (304) stainless steel with a satin polish finish. The bowl has a 20 mm rimmed edge and is prepared for a 38 mm waste and overflow. There are no tap holes therefore taps are to be mounted through the worktop or on the wall. Fixing clips are supplied with each bowl. Waste, plug, chain and overflow are available extras.

NOTE: It may be necessary to notch the worktop when fitting an overflow.

Dimensions 400 x 400 x 250 mm (W x H x D)

Cut-out size 410 x 410 mm

**C20132N**

2000100322

Utility sink, rear-left waste

Dimensions 440 x 300 x 440 mm (W x H x D)

**C20133N**

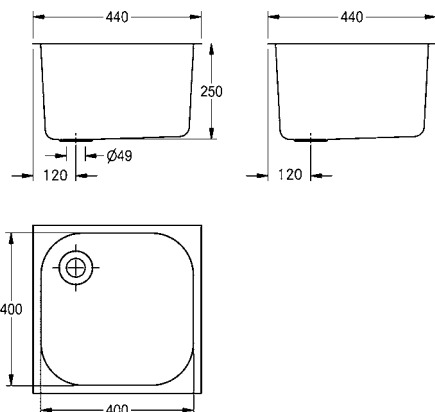
2000100323

Optional accessories

38 mm sink waste pack with overflow

**F2119**

203.0000.297



# SIRIUS multi-purpose, utility sinks

Type	Article Number
------	----------------



## Basin to be installed from above

Small rimmed edged bowl for inseting into worktops. Manufactured from 0.9 mm thick grade 1.4301 (304) stainless steel with a satin polish finish. The bowl has a 20 mm rimmed edge and is prepared for a 38 mm waste and overflow. There are no tap holes therefore taps are to be mounted through the worktop or on the wall. Fixing clips are supplied with each bowl. Waste, plug, chain and overflow are available extras.

NOTE: It may be necessary to notch the worktop when fitting an overflow.

20 mm rimmed edge  
Centre waste  
Dimensions 500 x 400 x 200 mm (W x H x D)  
Cut-out size 510 x 410 mm

<b>C20148N</b>	2000100325
----------------	------------

Basin to be installed from above, centre waste  
Dimensions 540 x 250 x 440 mm (W x H x D)

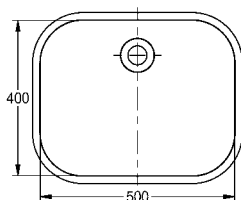
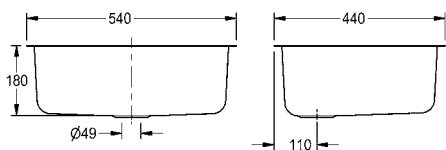
<b>C20149N</b>	2000100328
----------------	------------

Basin to be installed from above, centre waste  
Dimensions 540 x 300 x 440 mm (W x H x D)

<b>C20150N</b>	2000100329
----------------	------------

Optional accessories

38 mm sink waste pack with overflow	<b>F2119</b>	203.0000.297
-------------------------------------	--------------	--------------



## Basin to be installed from above, centre waste

Small rimmed edged bowl for inseting into worktops. Manufactured from 0.9 mm thick grade 1.4301 (304) stainless steel with a satin polish finish. The bowl has a 20 mm rimmed edge and is prepared for a 38 mm waste and overflow. There are no tap holes therefore taps are to be mounted through the worktop or on the wall. Fixing clips are supplied with each bowl. Waste, plug, chain and overflow are available extras.

NOTE: It may be necessary to notch the worktop when fitting an overflow.

Dimensions 460 x 340 x 180 mm (W x H x D)  
Cut-out size 470 x 350 mm

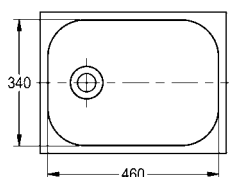
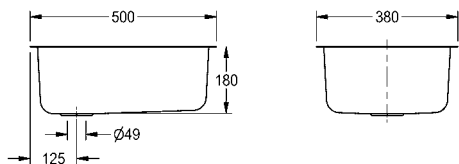
<b>C20174N</b>	2000100330
----------------	------------

Basin to be installed from above, centre waste  
Dimensions 500 x 250 x 380 mm (W x H x D)

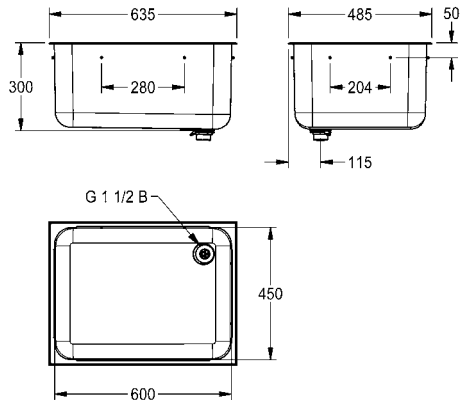
<b>C20175N</b>	2000100331
----------------	------------

Optional accessories

38 mm sink waste pack with overflow	<b>F2119</b>	203.0000.297
-------------------------------------	--------------	--------------







### Basin to be installed from above, rear-right waste

Large rimmed edge bowls for inseting into worktops. Manufactured from 1.2 mm thick austenitic grade stainless steel with satin polish finish. An earthing lug is fitted to the underside of the bowl. Supplied with an 38 mm waste outlet and standpipe strainer overflow. Fixing studs, brackets and full fitting instructions are supplied. (L or R after the code number refers to the handing of the waste outlet i.e.. back left or back right hand corner.)

Overall inset sink bowl - rimmed edge

Right hand waste

Dimensions 635 x 300 x 485 mm (W x H x D)

Bowl Dimensions 600 x 300 x 450 mm (W x H x D)

**C20136R** 2000100327

Basin to be installed from above, rear-left waste,  
dimensions 650 x 300 x 500 mm (W x H x D)

**C20136L** 2000100326

### C20137N small inset sink bowl

Small rimmed edged bowl for inseting into worktops. Manufactured from 0.9 mm thick grade 1.4301 (304) stainless steel with a satin polish finish. The bowl has a 17 mm rimmed edge and is prepared for a 38 mm waste and overflow. There are no tap holes therefore taps are to be mounted through the worktop or on the wall. Fixing clips are supplied with each bowl. Waste, plug, chain and overflow are available extras.

NOTE: It may be necessary to notch the worktop when fitting an overflow.

Dimensions 420 x 350 x 180 mm (W x H x D)

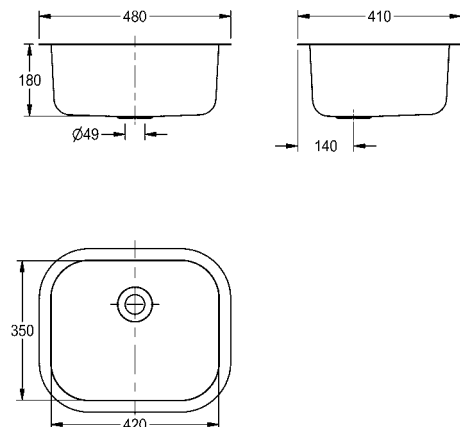
Cut-out size 400 x 500 mm

**C20137N** 2000100324

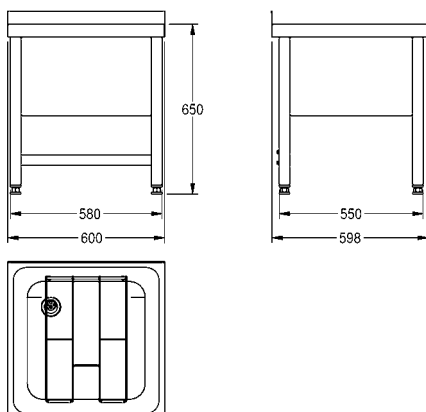
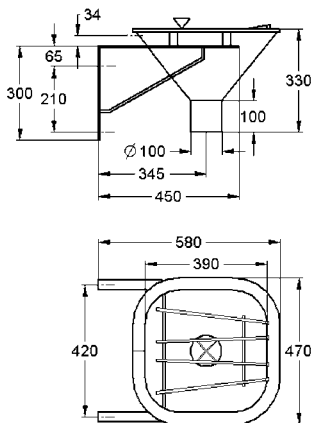
Optional accessories

38 mm sink waste pack with overflow

**F2119** 203.0000.297



# SIRIUS disposal sink, cleaner sinks, plaster sinks



Type	Article Number
------	----------------

## SIRIUS disposal sink

Disposal sink made of nickel-chromium steel 316Ti, surface satin finished, for wall mounting, concealed circular flushing rim, with rinsing tube connector for flush valve provided by customer, flush water volume 6 l. Vertical outlet DN 100, with removable strainer, hinged grating made of nickel-chromium steel for buckets, wall brackets and fixing material.

Dimensions 470 x 360 x 580 mm (B x H x D)

**SIRX370** 2000101175

Optional accessories

Trap, vertical outlet DN 100

**ZCMPX002** 2000102733

Trap, horizontal outlet DN 100

**ZCMPX003** 2000102734

## SIRIUS stand drain

Floor standing cleaners sink, stainless steel, surface satin finished, material thickness 1 mm, seamless welded bowl with diameter 450 x 450 x 250 mm, bowl with revolving channel, without tap ledge and 50 mm rear upstand, 1 1/2" plug waste with stainless steel overflow tube, drainage back left, incl. stainless steel folding grid with rubber bumps, underframe with 300 mm aprons, cross stud on backside for better stability, 650 mm working height, feet 40 x 40 mm and height adjustable to 25 mm. **Floor standing janitorial unit with base welded together.**

Dimensions 600 x 700 x 598 mm (W x H x D)

**F832V-F** 2000057046

Floor standing janitorial unit **for screwing**

**F832V** 2000100061



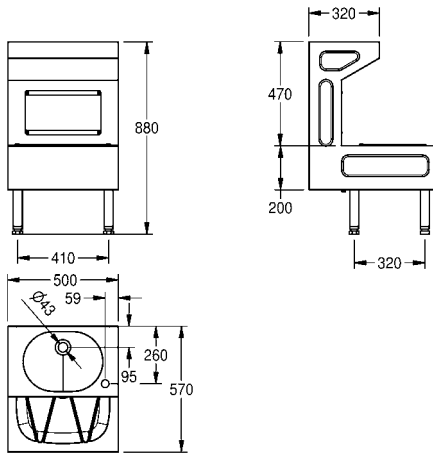
### SIRIUS stand drain - washbasin combination

Cleaner sink wash basin combination, free standing or for wall mounting, stainless steel, surface satin finished, material thickness 1.2 mm, seamless welded bowl with diameter 360 x 272 x 135 mm, without overflow, 1 1/4" flat perforated waste, inclusive tap hole top right, sink with diameter 420 x 350 x 180 mm and revolving channel, 1 1/2" domed waste, drainage centric, inclusive stainless steel folding grid with rubber bumps, removable inspection cover, feet height adjustable.

Dimensions 500 x 880 x 570 mm (W x H x D)

**SIRX832**

2000071907



### SIRIUS plaster trap

Plaster sink for work top mounting, stainless steel, surface satin finished, material thickness 1.5 mm, seamless welded bowl with diameter 450 x 500 x 150 mm, bowl and drain board with revolving channel, 1 1/2" centric waste hole punch, removable plaster basket with cover.

Dimensions 1000 x 420 x 600 mm (W x H x D)

Drainboard left

**SIRX835**

2000071901

Drainboard right

**SIRX836**

2000071902

Optional accessories

Feet for plaster trap, stainless steel 2 pieces

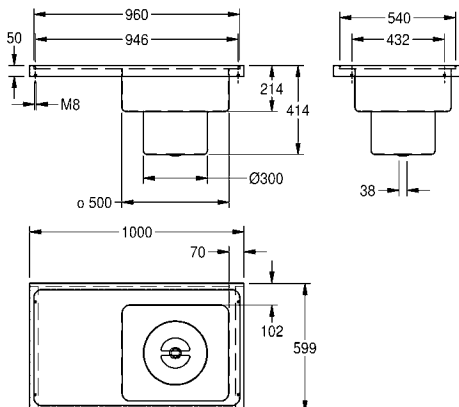
**SIRX838**

2000103301

Brackets for plaster sink

**SIRX837**

2000103337



# SIRIUS workroom sinks, boot cleaning systems

Type	Article Number
------	----------------



## SIRIUS workroom sink with standpipe valve

Workroom sink, stainless steel, surface satin finished, material thickness 1.2 mm, 38 mm waste fitting with 1 1/2" standing plug/overflow tube and strainer, with stainless steel square tube base frame, height adjustable.

Dimensions 1000 x 800/300 x 600 mm (W x H x D)

<b>SIRX751</b>	2000100068
----------------	------------

Dimensions 1500 x 800 x 600 mm (W x H x D)

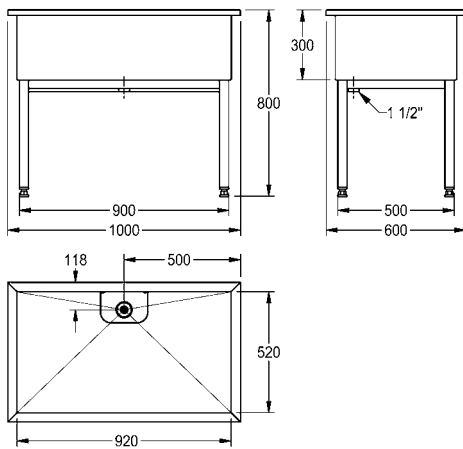
Washbasin dimensions 1420 x 300 x 520 mm (W x H x D)

<b>SIRX752</b>	2000100357
----------------	------------

Dimensions 2000 x 800 x 600 mm (W x H x D)

Washbasin dimensions 1920 x 300 x 520 mm (W x H x D)

<b>SIRX753</b>	2000100359
----------------	------------



## SIRIUS workroom sink

Workroom sink, stainless steel, surface satin finished, material thickness 1.2 mm, base drainage hole with waste body and sludge trap bucket in stainless steel welded on, overflow DN 40 and outlet spigot DN 15, waste set with ball stop valve DN 40 and DN 15, with stainless steel square tube base frame, height adjustable.

Dimensions 1000 x 800 x 600 mm (W x H x D)

Bowl Dimensions 920 x 300 x 520 mm (W x H x D)

<b>SIRX754</b>	2000100360
----------------	------------

Dimensions 1500 x 800 x 600 mm (W x H x D)

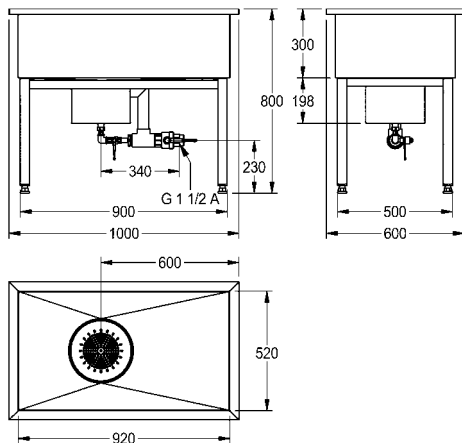
Washbasin dimensions 1420 x 300 x 520 mm (W x H x D)

<b>SIRX755</b>	2000100361
----------------	------------

Dimensions 2000 x 800 x 600 mm (W x H x D)

Washbasin dimensions 1920 x 300 x 520 mm (W x H x D)

<b>SIRX756</b>	2000100362
----------------	------------



Type

Article Number



### SIRIUS sludge traps

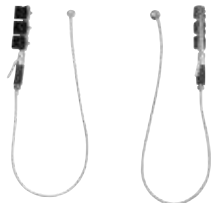
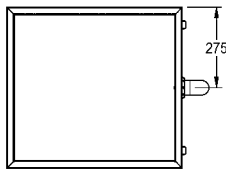
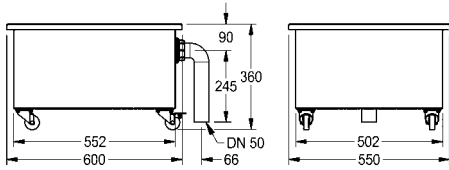
Sludge trap sink, stainless steel, surface satin finished, material thickness 1.2 mm, on rollers with break device.

With 2" waste and connected PVC pipe as overflow.

Dimensions 600 x 360 x 550 mm (W x H x D)

**SIRX757**

2000100363



### SIRIUS shoe- and boot-cleaning unit

Shoe- and boot-cleaning-unit for wall mounting, stainless steel, surface satin finished, material thickness 1.2 mm, with 40 x 40 mm feet, waste turnable, inlet diameter 1/2". 1 washing place, include sludge trap fitting, hand brush with lever activation and sump bucket with siphon

Dimensions 700 x 500 x 600 mm (W x H x D)

**SIRX711C** 2000100354

with 2 cleaning places, dimensions 1400 x 500 x 600 mm (W x H x D)

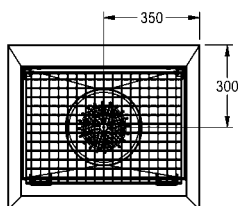
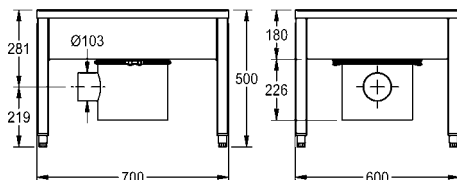
**SIRX721C** 2000100355

with 3 cleaning places, dimensions 2100 x 500 x 600 mm (W x H x D)

**SIRX731C** 2000100356

4 cleaning places, dimensions 2800 x 500 x 600 mm (W x H x D)

**SIRX741C** 2000101549



## Cleaning basins made of mineral granit

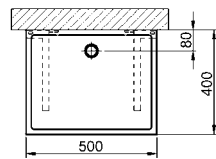
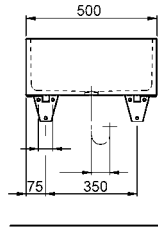


Sanitary equipment products made of synthetic resinbonded mineral granite are, in the truest sense of the word, produced seamlessly from a single cast and are exceptionally suitable as products for cleaning areas.

A range of multi-purpose, utility and classroom basins, workroom sinks and sludge traps, in addition to shoecleaning and boot-cleaning systems, are produced under the brand name MIRANIT and are exceptionally easy to clean and robust.

Type

Article Number



### Utility sink

Cleaner sink, made of resin-bonded mineral material (temperature-resistant up to 80 °C). Alpine white colour. With strainer waste DN 40, consoles made of steel, powder-coated.

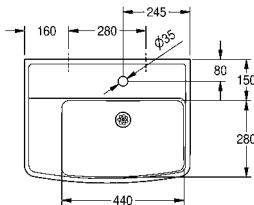
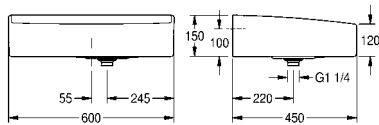
Dimensions 500 x 215 x 400 mm (W x H x D)

**SIRW810** 2000101109

Optional accessories

Folding grid made of 304 chrome-nickel steel for wall mounting, grid dimensions 250 x 400 mm

**ESIRW810** 2000101110



### Classroom basin

Classroom sink made of resin-bonded mineral material with smooth, pore-free surface (temperature resistant up to 80 °C). Colour Alpine White. With seamless bowl, without overflow, with tap landing and tap hole, sponge tray on the left side, front slightly arched. Rear contoured edge. Strainer waste DN 32, plastic threaded connection, fixing material included.

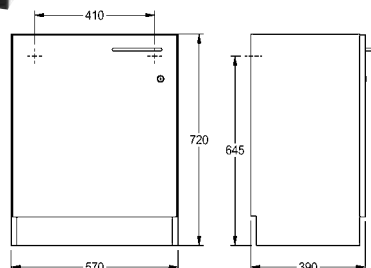
Dimensions 600 x 150 x 450 mm (W x H x D)

Bowl dimensions 440 x 280 mm (W x T)

**ANMW322** 2000106177

Without tap hole

**ANMW323** 2030006863



### Cabinet for installation under the tabletop

Base cabinet for classroom basin made of melamine coated chipboard, colour white. Floor standing unit closed on three sides with black skirting board and adjustable feet, front door with handle and cylinder lock, door hinge left or right.

Dimensions 570 x 720 x 390 mm (W x H x D)

Door hinge left

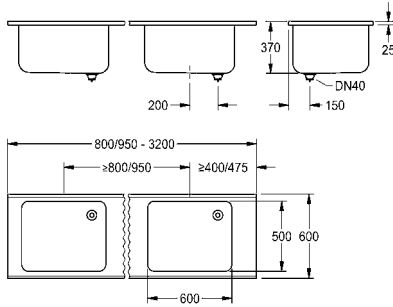
**WSPL0017** 2000107663

Base cabinet, door hinge right

**WSPL0018** 2000107664

# Cleaning basins, workroom sinks

Type	Article Number
------	----------------



## VARIUSmed multi-purpose sinks

VARIUSmed multi-purpose basin made of MIRANIT resin-bonded mineral material, with a non-porous smooth surface (temperature resistant up to 80°C) coated all around. Alpine white colour. With up to 2 seamlessly integrated bowls with large inner radii, without overflow. Variable bowl spacing. Splash-guard edge front and back. With tube overflow DN 40 x 200 mm. Including fastening material (screws, dowels, wall bracket, consoles).

Bowl dimensions 600 x 350 x 500 mm (W x H x D)

### When using stainless steel consoles:

Dimensions 800 - 3200 x 375 x 600 mm (W x H x D)  
Center-center spacing of the bowls min. 800 mm

### When using MIRANIT consoles:

Dimensions 950 - 3200 x 375 x 600 mm (W x H x D)  
Center-center spacing of the bowls min. 950 mm

### Customized fit to building specifications:

Detailed specifications such as installation type and basin spacing, etc. are detailed on planning sheets for each specific project (to be requested from KWC Professional).





### Workroom sink with tap ledge and standpipe valve

Workroom sink made of MIRANIT resin-bonded mineral material with pore-free smooth surface (temperature-resistant up to 80 °C). Basin with integrated tap landing, without tap hole, with marking for drilling holes on the underside of the tap landing. Large inner radii, bottom of basin with 2° slope. Alpine white colour. Stand pipe valve DN 40 x 200 mm and protective strainer (removable) made of stainless steel. Welded substructure frame, powder-coated in basin colour, adjustable base feet. Mounting material included.

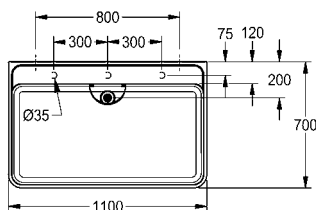
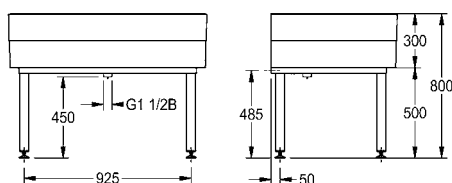
Dimensions 1100 x 300/800 x 700 mm (W x H x D)

Bowl dimensions 1060 x 283 x 555 mm (W x H x D)

**SIRW770** 2000102720

Length 2000 mm

**SIRW772** 2000102721



### Workroom sink with tap ledge and sludge bucket

Workroom sink made of MIRANIT resin-bonded mineral material with pore-free smooth surface (temperature-resistant up to 80 °C). Basin with integrated tap landing, without tap hole, with marking for drilling holes on the underside of the tap landing. Large inner radii, bottom of basin with 2° slope. Alpine white colour. Drain with under-screwed waste unit including removable sludge bucket, DN 40 overflow at waste unit and DN 25 waste outlet spigot made of stainless steel. Waste unit with DN 40 ball cock completely fitted with tubes. Waste unit rotatable by 90°. Welded substructure frame, powder-coated in basin colour, adjustable base feet. Mounting material included.

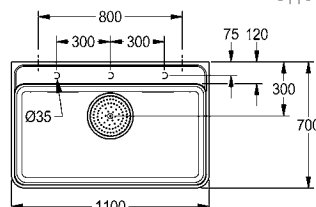
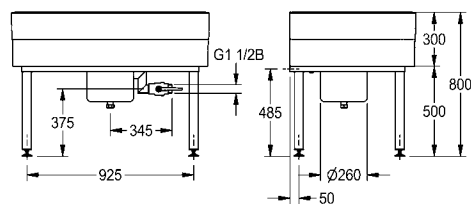
Dimensions 1100 x 300/800 x 700 mm (W x H x D)

Bowl dimensions 1060 x 283 x 555 mm (W x H x D)

**SIRW771** 2000102722

Length 2000 mm

**SIRW773** 2000102723



# Workroom sinks, foot tub, disposal sink

Type

Article Number



## Workroom sink with stand pipe valve

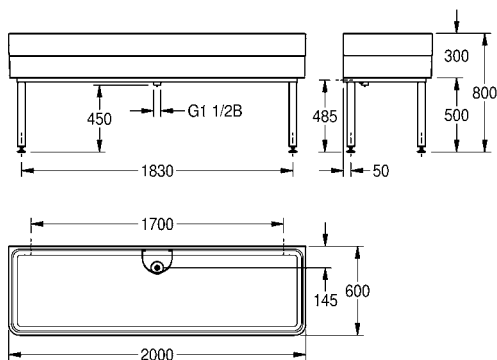
Workroom sink made of MIRANIT resin-bonded mineral material with pore-free smooth surface (temperature-resistant up to 80 °C). Basin without tap landing. Large inner radii, bottom of basin with 2° slope. Alpine white colour. Welded substructure frame, powder-coated in basin colour, adjustable base feet. Mounting material included.

Stand pipe valve DN 40 x 200 mm and protective strainer (removable) made of stainless steel.

Dimensions 2000 x 300/800 x 600 mm (W x H x D)  
Bowl dimensions 1960 x 283 x 560 mm (W x H x D)

**SIRW774**

2000102724



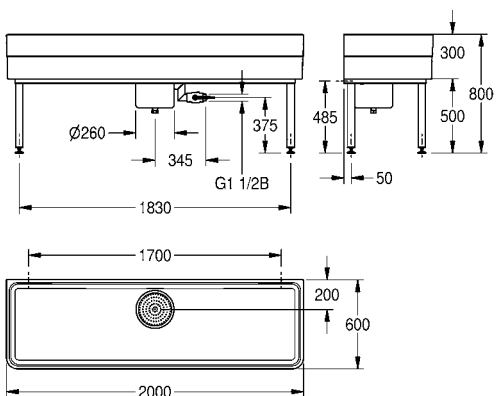
## Workroom sink with sludge bucket

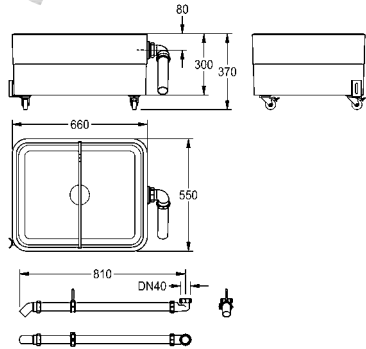
Workroom sink made of MIRANIT resin-bonded mineral material with pore-free smooth surface (temperature-resistant up to 80 °C). Basin without tap landing. Large inner radii, bottom of basin with 2° slope. Alpine white colour. Welded substructure frame, powder-coated in basin colour, adjustable base feet. Mounting material included. Drain with under-screwed waste unit including removable sludge bucket, DN 40 overflow at waste unit and DN 25 waste outlet spigot made of stainless steel. Waste unit with DN 40 ball cock completely fitted with tubes. Waste unit rotatable by 90°.

Dimensions 2000 x 300/800 x 600 mm (W x H x D)  
Bowl dimensions 1960 x 283 x 560 mm (W x H x D)

**SIRW775**

2000102725





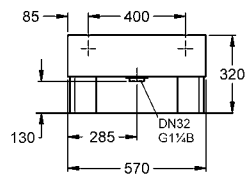
### Sludge trap bucket

Sludge collecting basin made of MIRANIT resin-bonded mineral material with pore-free smooth surface (temperature-resistant up to 80 °C). Large inner radii. Alpine white colour. Version with 2-chamber system with removable divider made of plastic material, overflow for a controlled outflow into a customer-provided floor drain. On lockable rolls. DN 50 overflow with PVC pipe elbow on the side. PVC pipe and pipe elbows including mounting material.

Dimensions 660 x 300/370 x 550 mm (W x H x D)

**SIRW759**

2000102726



### FLENSBURG foot bath

Foot bath, made from resin-bonded mineral material with non-porous smooth surface (max. temperature 80 °C), colour alpine white, seamlessly integrated bowl and flow DN 32.

With corner feet made from resin-bonded mineral material  
Dimensions 570 x 320 x 570 mm (W x H x D)

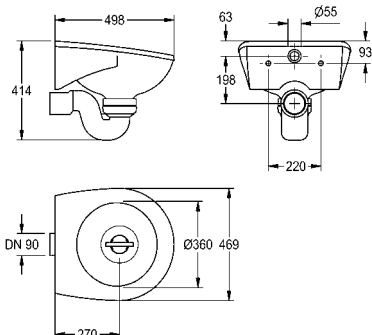
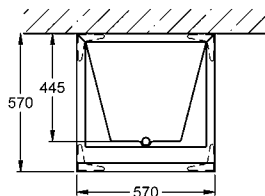
**SIRW840**

2000101335

Version with steel square tube base frame, powder-coated, with height adjustable feet

**SIRW841**

2000101336



### Disposal sink

Disposal sink for wall mounting made of MIRANIT resin-bonded mineral material. With pore-free, smooth surface (temperature-resistant up to 80 °C). Alpine white colour. Round bowl with integrated circular flushing rim, internal horizontal water connection. Integral back panel with integrated brackets and holes for fixing. Fastening material included. Siphon made of plastic material DN 100 with horizontal outlet. With outlet grating made of nickel-chromium steel to prevent clogging.

Dimensions 469 x 414 x 498 mm (W x H x D)

Bowl diameter 360 mm

**SIRW511**

2000101200

Optional accessories

Bucket grating

**SIRX512**

2000101201

Siphon cover

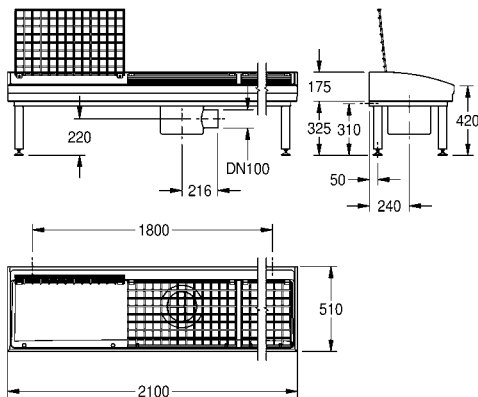
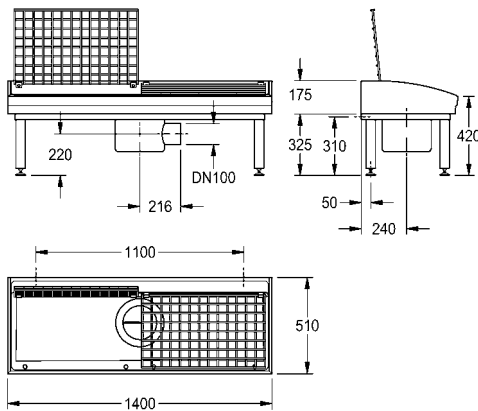
**SIRX514**

2000101202

Note:

Suitable AQUAFIX installation element, see page 105

# Shoe- and boot cleaning units



Type

Article Number

## SIRIUS shoe- and boot-cleaning unit with 2 cleaning places

Shoe and boot cleaning unit made of MIRANIT resin-bonded mineral material with pore-free smooth surface (temperature-resistant up to 80 °C). For wall mounting. Large inner radii, bottom of basin with 2° slope. Alpine white colour. Drain with under-screwed waste unit with DN 100 horizontal outlet including removable sludge bucket made of stainless steel. Waste unit rotatable by 90°. One hinged grating made of stainless steel for each wash place. Welded substructure frame, powder-coated in basin colour, adjustable base feet. Mounting material included.

Dimensions 1400 x 175/500 x 510 mm (W x H x D)

**SIRW721A** 2000102727

for on-site trap with 2 cleaning places

**SIRW721B** 2000102728

### Optional accessories

Device connecting valve DN 15, for wall mounting, with backflow preventer, pipe vent and hose coupling, high-polished brass.

**ZSIRW001** 2000101470

Mounting hook for hand brush, made of chromium nickel steel.

**ZSIRW002** 2000101471

Hand brush with lever valve, spray pipe with 3 separately installed brush elements, with DN 8 connecting hose, G 1/2, length 1400 mm and anti-twist protection.

**ZSIRW003** 2000101473

## SIRIUS shoe- and boot-cleaning unit with 3 cleaning places

Shoe and boot cleaning unit made of MIRANIT resin-bonded mineral material with pore-free smooth surface (temperature-resistant up to 80 °C). For wall mounting. Large inner radii, bottom of basin with 2° slope. Alpine white colour. Drain with under-screwed waste unit with DN 100 horizontal outlet including removable sludge bucket made of stainless steel. Waste unit rotatable by 90°. One hinged grating made of stainless steel for each wash place. Welded substructure frame, powder-coated in basin colour, adjustable base feet. Mounting material included.

With integrated siphon

Dimensions 2100 x 175/500 x 510 (W x H x D)

**SIRW731A** 2000102729

For on-site trap with 3 cleaning places

**SIRW731B** 2000102730

### Optional accessories

Device connecting valve DN 15, for wall mounting, with backflow preventer, pipe vent and hose coupling, high-polished brass.

**ZSIRW001** 2000101470

Mounting hook for hand brush, made of chromium nickel steel.

**ZSIRW002** 2000101471

Hand brush with lever valve, spray pipe with 3 separately installed brush elements, with DN 8 connecting hose, G 1/2, length 1400 mm and anti-twist protection.

**ZSIRW003** 2000101473

Type

Article Number

### SIRIUS boot-cleaning unit

Boot cleaning unit made of resin-bonded mineral material with smooth, pore-free surface, anthracite color. With height-adjustable feet, galvanized folding grid, manual brush with lever valve, grab handle, sole-cleaning brushes, spray arrays and DN 15 foot valve.

With DN 100 waste outlet unit, sludge bucket and siphon trap.  
Dimensions 600 x 425-450 x 900 mm (W x H x D)

**SIRB714** 2000101080

With DN 100 waste outlet unit, vertical

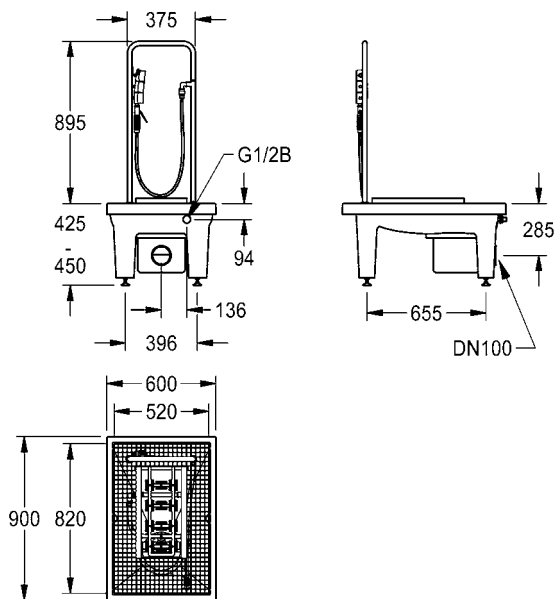
**SIRB712** 2000101084

with DN 100 waste outlet unit and sludge bucket, without siphon trap

**SIRB715** 2000101083

Version **without feet**, with DN 100 drain piece, horizontal,  
dimensions 600 x 205 x 900 mm (W x H x D)

**SIRB711** 2000101085







# Commercial sinks made of stainless steel

The high-quality commercial catering product range is noteworthy for its wide selection, generous-sized working sinks and variable storage surfaces. The product range is supplemented with the corresponding frames. The commercial sinks are used in professional food processing and for commercial use.

## Commercial sinks made of stainless steel

<b>KWC</b> MAXIMA Commercial sinks, depth 600 mm	368
<b>KWC</b> MAXIMA Commercial sinks, depth 700 mm	372

# MAXIMA commercial sinks, depth 600 mm

Type	Article Number
------	----------------



## MAXIMA commercial sink

Commercial sink for inset or wall mounting, stainless steel, surface satin finished, material thickness 1 mm, deep drawn seamless welded bowl, without overflow and 80 mm tap ledge, 1 1/2" waste with two part overflow tube consisting of perforated stainless steel tube and plastic tube, 100 mm rear upstand, wall mounting brackets optional, drilling holes for wall mounting prelasered.



Dimensions 600 x 382 x 600 mm (W x H x D)

**MAXS100-60** 2000057616

Set consisting of MAXS100-60 + frame MAXF60-60 for screw fixing

**MAXS100-60 SET** 2000104035

Optional accessories

Single bracket made of chromium nickel steel

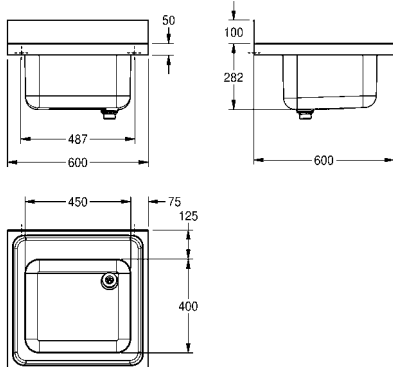
**MAXB600** 2000057092

Frame for screw fixings made of chromium nickel steel

**MAXF60-60** 2000057122

Shelf for frame, made of chromium nickel steel

**MAXT60-60** 2000057763



## MAXIMA commercial sink

Commercial sink for inset or wall mounting, stainless steel, surface satin finished, material thickness 1 mm, deep drawn seamless welded bowl, without overflow and 80 mm tap ledge, 1 1/2" waste with two part overflow tube consisting of perforated stainless steel tube and plastic tube, 100 mm rear upstand, wall mounting brackets optional, drilling holes for wall mounting prelasered.



Dimensions 700 x 432 x 600 mm (W x H x D)

**MAXS100-70** 2000057639

Set consisting of MAXS100-70 + frame MAXF70-60 for screw fixing

**MAXS100-70 SET** 2000104036

Optional accessories

Single bracket made of chromium nickel steel

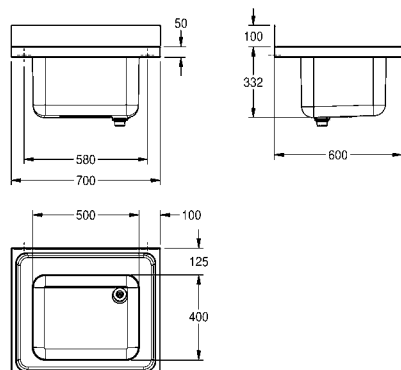
**MAXB600** 2000057092

Frame for screw fixings made of chromium nickel steel

**MAXF70-60** 2000057124

Shelf for frame, made of chromium nickel steel

**MAXT70-60** 2000100003





**MAXIMA commercial sink**

Commercial sink and underframe welded together, stainless steel, surface satin finished, material thickness 1 mm, two deep drawn seamless welded bowls, without overflow and 80 mm tap ledge, 1 1/2" waste with two part overflow tube consisting of perforated stainless steel tube and plastic tube, 100 mm rear upstand, underframe with 300 mm cover, feet 40 x 40 mm and height adjustable to 25 mm, cross stud on backside for better stability, drilling holes for wall mounting prelasered.

Dimensions 1200 x 432 x 600 mm (W x H x D)

**MAXS200-120** 2000057702

Set consisting of MAXS200-120 + frame MAXF120-60 for screw fixing

**MAXS200-120 SET** 2000104037

## Optional accessories

Single bracket made of chromium nickel steel

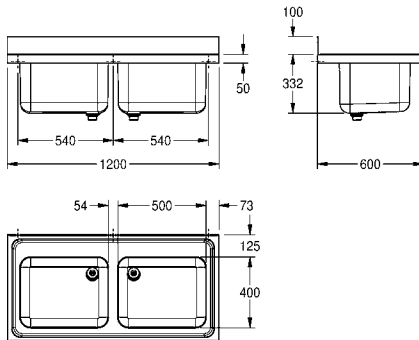
**MAXB600** 2000057092

Frame for screw fixings made of chromium nickel steel

**MAXF120-60** 2000057101

Shelf for frame, made of chromium nickel steel

**MAXT120-60** 2000057716

**MAXIMA commercial sink**

Commercial sink for inset or wall mounting, stainless steel, surface satin finished, material thickness 1 mm, deep drawn seamless welded bowl, without overflow and 80 mm tap ledge, bowl left or right, 1 1/2" waste with two part overflow tube consisting of perforated stainless steel tube and plastic tube, drain board with raffle and slanted to bowl, drain board with reinforced stainless steel bracket, 100 mm rear upstand, wall mounting brackets optional, drilling holes for wall mounting prelasered.

Dimensions 1200 x 382 x 600 mm (W x H x D)

Drain board right

**MAXS112-120** 2000057641

Drip section left

**MAXS117-120** 2000057698

Set consisting of MAXS112-120 + frame MAXF120-60 for screw fixing

**MAXS112-120 SET** 2000104012

Set consisting of MAXS117-120 + frame MAXF120-60 for screw fixing

**MAXS117-120 SET** 2000104005

## Optional accessories

Single bracket made of chromium nickel steel

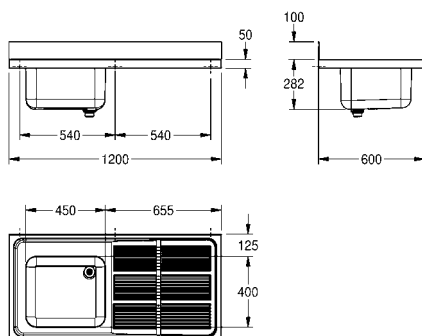
**MAXB600** 2000057092

Frame for screw fixings made of chromium nickel steel

**MAXF120-60** 2000057101

Shelf for frame, made of chromium nickel steel

**MAXT120-60** 2000057716



# MAXIMA commercial sinks, depth 600 mm

Type Article Number



## MAXIMA commercial sink

Commercial sink for inset or wall mounting, stainless steel, surface satin finished, material thickness 1 mm, deep drawn seamless welded bowl with dimensions, without overflow and 80 mm tap ledge, bowl left or right, 1 1/2" waste with two part overflow tube consisting of perforated stainless steel tube and plastic tube, drain board with raffle and slanted to bowl, drain board with reinforced stainless steel bracket, 100 mm rear upstand, wall mounting brackets optional, drilling holes for wall mounting pre-lasered.



Dimensions 1400 x 432 x 600 mm (W x H x D)  
Drain board right

**MAXS112-140** 2000057662

Drip section left

**MAXS117-140** 2000057700

Set consisting of MAXS117-140 + frame MAXF140-60 for screw fixing

**MAXS117-140 SET** 2000104006

Set consisting of MAXS112-140 + frame MAXF140-60 for screw fixing

**MAXS112-140 SET** 2000104013

Optional accessories

Single bracket made of chromium nickel steel

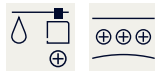
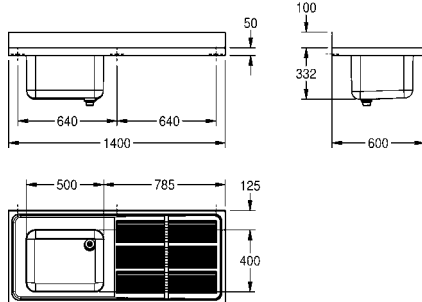
**MAXB600** 2000057092

Frame for screw fixings made of chromium nickel steel

**MAXF140-60** 2000057106

Shelf for frame, made of chromium nickel steel

**MAXT140-60** 2000057756



## MAXIMA commercial sink

Commercial sink for inset or wall mounting, stainless steel, surface satin finished, material thickness 1 mm, two deep drawn seamless welded bowls, without overflow and 80 mm tap ledge, bowls left or right, 1 1/2" waste with two part overflow tube consisting of perforated stainless steel tube and plastic tube, drain board with raffle and slanted to bowl, drain board with reinforced stainless steel bracket, 100 mm rear upstand, wall mounting brackets optional, drilling holes for wall mounting pre-lasered.



Dimensions 1600 x 382 x 600 mm (W x H x D)  
Drain board right

**MAXS212-160** 2000057704

Drip section left

**MAXS217-160** 2000057708

Set consisting of MAXS212-160 + frame MAXF160-60 for screw fixing

**MAXS212-160 SET** 2000104014

Set consisting of MAXS217-160 + frame MAXF160-60 for screw fixing

**MAXS217-160 SET** 2000104007

Optional accessories

Single bracket made of chromium nickel steel

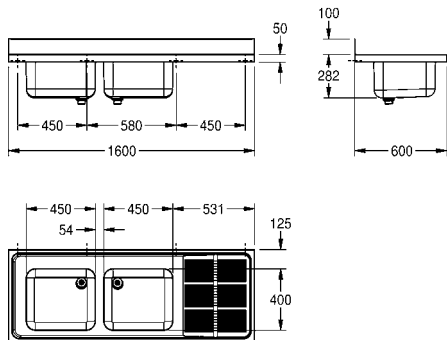
**MAXB600** 2000057092

Frame for screw fixings made of chromium nickel steel

**MAXF160-60** 2000057112

Shelf for frame, made of chromium nickel steel

**MAXT160-60** 2000057758



**MAXIMA commercial sink**

Commercial sink for inset or wall mounting, stainless steel, surface satin finished, material thickness 1 mm, two deep drawn seamless welded bowls, without overflow and 80 mm tap ledge, bowls left or right, 1 1/2" waste with two part overflow tube consisting of perforated stainless steel tube and plastic tube, drain board with riffle and slanted to bowl, drain board with reinforced stainless steel bracket, 100 mm rear upstand, wall mounting brackets optional, drilling holes for wall mounting pre-lasered.

Dimensions 2000 x 432 x 600 mm (W x H x D)

Drain board right

**MAXS212-200** 2000057706

Drip section left

**MAXS217-200** 2000057710

Set consisting of MAXS212-200 + frame MAXF200-60 for screw fixing

**MAXS212-200 SET** 2000104015

Set consisting of MAXS217-200 + frame MAXF200-60 for screw fixing

**MAXS217-200 SET** 2000104008

Optional accessories

Single bracket made of chromium nickel steel

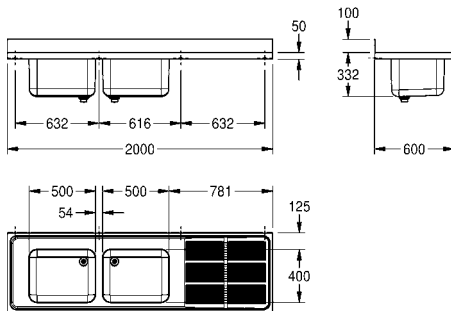
**MAXB600** 2000057092

Frame for screw fixings made of chromium nickel steel

**MAXF200-60** 2000057114

Shelf for frame, made of chromium nickel steel

**MAXT200-60** 2000057759

**MAXIMA commercial sink**

Commercial sink and underframe welded together, stainless steel, surface satin finished, material thickness 1 mm, two deep drawn seamless welded bowls, without overflow and 80 mm tap ledge, 1 1/2" waste with two part overflow tube consisting of perforated stainless steel tube and plastic tube, drain board with riffle and slanted to bowl, storage board left or right, drain board on opposite side of storage board, drain board with reinforced stainless steel bracket, 100 mm rear upstand, underframe with 300 mm cover, feet 40 x 40 mm and height adjustable to 25 mm, cross stud on backside for better stability, drilling holes for wall mounting pre-lasered.

Dimensions 2600 x 432 x 600 mm (W x H x D)

Drain board right

**MAXS222-260** 2000057712

Drip section left / storage surface right

**MAXS227-260** 2000057714

Set consisting of MAXS222-260 + frame MAXF260-60 for screw fixing

**MAXS222-260 SET** 2000104017

Set consisting of MAXS227-260 + frame MAXF260-60 for screw fixing

**MAXS227-260 SET** 2000104016

Optional accessories

Single bracket made of chromium nickel steel

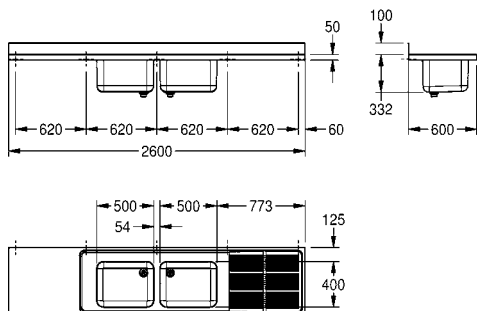
**MAXB600** 2000057092

Frame for screw fixings made of chromium nickel steel

**MAXF260-60** 2000057118

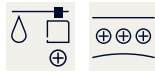
Shelf for frame, made of chromium nickel steel

**MAXT260-60** 2000057761



# MAXIMA commercial sinks, depth 700 mm

Type Article Number



## MAXIMA commercial sink

Commercial sink for inset or wall mounting, stainless steel, surface satin finished, material thickness 1 mm, deep drawn seamless welded bowl with dimensions, without overflow and 100 mm tap ledge, 1 1/2" waste with two part overflow tube consisting of perforated stainless steel tube and plastic tube, 100 mm rear upstand, wall mounting brackets optional, drilling holes for wall mounting prelasered.



Dimensions 700 x 432 x 700 mm (W x H x D)

**MAXL100-70** 2000057144

Set consisting of MAXL100-70 + frame MAXF70-70 for screw fixing

**MAXL100-70 SET** 2000104038

Optional accessories

Single bracket made of chromium nickel steel

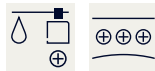
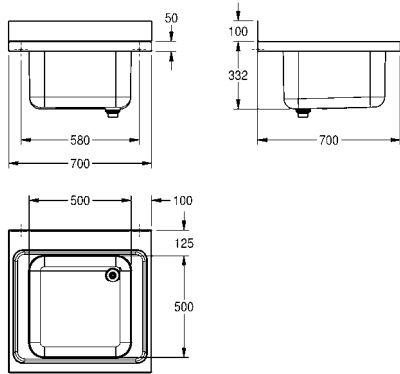
**MAXB700** 2000057094

Frame for screw fixings made of chromium nickel steel

**MAXF70-70** 2000057126

Shelf for frame, made of chromium nickel steel

**MAXT70-70** 2000100002



## MAXIMA commercial sink

Commercial sink for inset or wall mounting, stainless steel, surface satin finished, material thickness 1 mm, two deep drawn seamless welded bowls, without overflow and 100 mm tap ledge, 1 1/2" waste with two part overflow tube consisting of perforated stainless steel tube and plastic tube, 100 mm rear upstand, wall mounting brackets optional, drilling holes for wall mounting prelasered.



Dimensions 1200 x 432 x 700 mm (W x H x D)

**MAXL200-120** 2000057561

Set consisting of MAXL200-120 + frame MAXF120-70 for screw fixing

**MAXL200-120 SET** 2000104039

Optional accessories

Single bracket made of chromium nickel steel

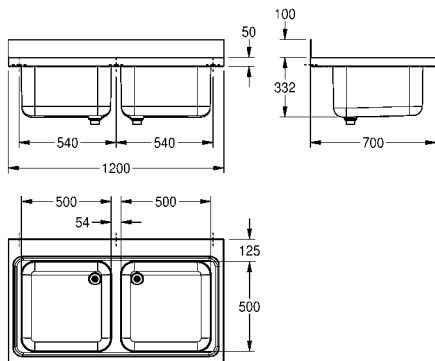
**MAXB700** 2000057094

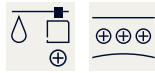
Frame for screw fixings made of chromium nickel steel

**MAXF120-70** 2000057104

Shelf for frame, made of chromium nickel steel

**MAXT120-70** 2000057755



**MAXIMA commercial sink**

Commercial sink for inset or wall mounting, stainless steel, surface satin finished, material thickness 1 mm, deep drawn seamless welded bowl with dimensions, without overflow and 100 mm tap ledge, bowl left or right, 1 1/2" waste with two part overflow tube consisting of perforated stainless steel tube and plastic tube, drain board with raffle and slanted to bowl, drain board with reinforced stainless steel bracket, 100 mm rear upstand, wall mounting brackets optional, drilling holes for wall mounting pre-lasered.



Dimensions 1400 x 432 x 700 mm (W x H x D)

Drain board right

**MAXL112-140** 2000057159

Drip section left

**MAXL117-140** 2000057556

Set consisting of MAXL112-140 + frame MAXF140-70 for screw fixing

**MAXL112-140 SET** 2000104009

Set consisting of MAXL117-140 + frame MAXF140-70 for screw fixing

**MAXL117-140 SET** 2000104002

Optional accessories

Single bracket made of chromium nickel steel

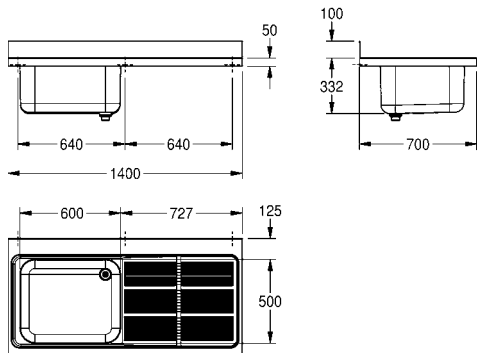
**MAXB700** 2000057094

Frame for screw fixings made of chromium nickel steel

**MAXF140-70** 2000057108

Shelf for frame, made of chromium nickel steel

**MAXT140-70** 2000057757

**MAXIMA commercial sink**

Commercial sink for inset or wall mounting, stainless steel, surface satin finished, material thickness 1 mm, two deep drawn seamless welded bowls, without overflow and 100 mm tap ledge, bowls left or right, 1 1/2" waste with two part overflow tube consisting of perforated stainless steel tube and plastic tube, drain board with raffle and slanted to bowl, drain board with reinforced stainless steel bracket, 100 mm rear upstand, wall mounting brackets optional, drilling holes for wall mounting pre-lasered.



Dimensions 2000 x 432 x 700 mm (W x H x D)

Drain board right

**MAXL212-200** 2000057584

Drip section left

**MAXL217-200** 2000057586

Set consisting of MAXL212-200 + frame MAXF200-70 for screw fixing

**MAXL212-200 SET** 2000104010

Set consisting of MAXL217-200 + frame MAXF200-70 for screw fixing

**MAXL217-200 SET** 2000104003

Optional accessories

Single bracket made of chromium nickel steel

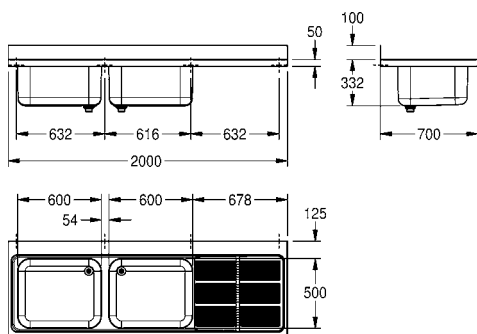
**MAXB700** 2000057094

Frame for screw fixings made of chromium nickel steel

**MAXF200-70** 2000057117

Shelf for frame, made of chromium nickel steel

**MAXT200-70** 2000057760



# MAXIMA commercial sinks, depth 700 mm

Type Article Number



## MAXIMA commercial sink

Commercial sink and underframe welded together, stainless steel, surface satin finished, material thickness 1 mm, two deep drawn seamless welded bowls, without overflow and 100 mm tap ledge, 1 1/2" waste with two part overflow tube consisting of perforated stainless steel tube and plastic tube, drain board with riffle and slanted to bowl, storage board left or right, drain board on opposite side of drain board, drain board with reinforced stainless steel bracket, 100 mm rear upstand, underframe with 300 mm cover, feet 40 x 40 mm and height adjustable to 25 mm, cross stud on backside for better stability, drilling holes for wall mounting prelasered.



Dimensions 2600 x 432 x 700 mm (W x H x D)

Drain board left

**MAXL227-260** 2000057613

Set consisting of MAXL227-260 + frame MAXF260-70 for screw fixing

**MAXL227-260 SET** 2000104004

Optional accessories

Single bracket made of chromium nickel steel

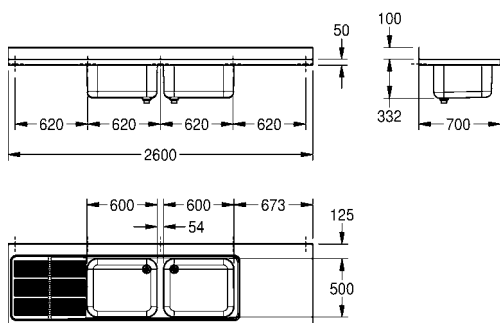
**MAXB700** 2000057094

Frame for screw fixings made of chromium nickel steel

**MAXF260-70** 2000057120

Shelf for frame, made of chromium nickel steel

**MAXT260-70** 2000100004



## MAXIMA commercial sink, with space for dishwasher

Commercial sink for screwing to underframe, stainless steel, surface satin finished, material thickness 1 mm, deep drawn seamless welded bowl, without overflow and 100 mm tap ledge, 1 1/2" waste with two part overflow tube consisting of perforated stainless steel tube and plastic tube, drain board with riffle and slanted to bowl, drain board with reinforced stainless steel bracket, 100 mm rear upstand, drilling holes for wall mounting prelasered.



Dimensions 1400 x 432 x 700 mm (W x H x D)

**MAXL112-140DW** 2000057202

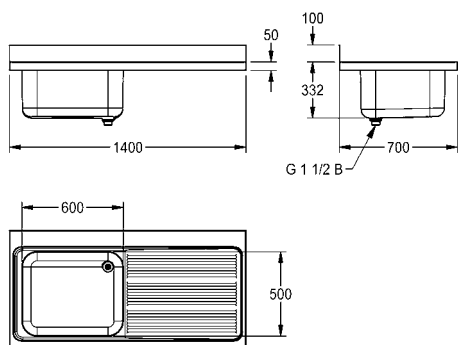
Set consisting of MAXL112-140DW + MAXF140-70DW

**MAXL112-140DWSE** 2000104032

Optional accessories

Frame for screw fixings made of chromium nickel steel, with space for dishwasher

**MAXF140-70DW** 2000057109



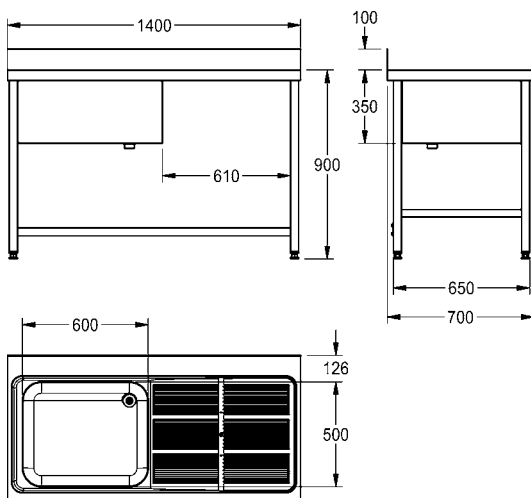
**MAXIMA commercial sink with frame**

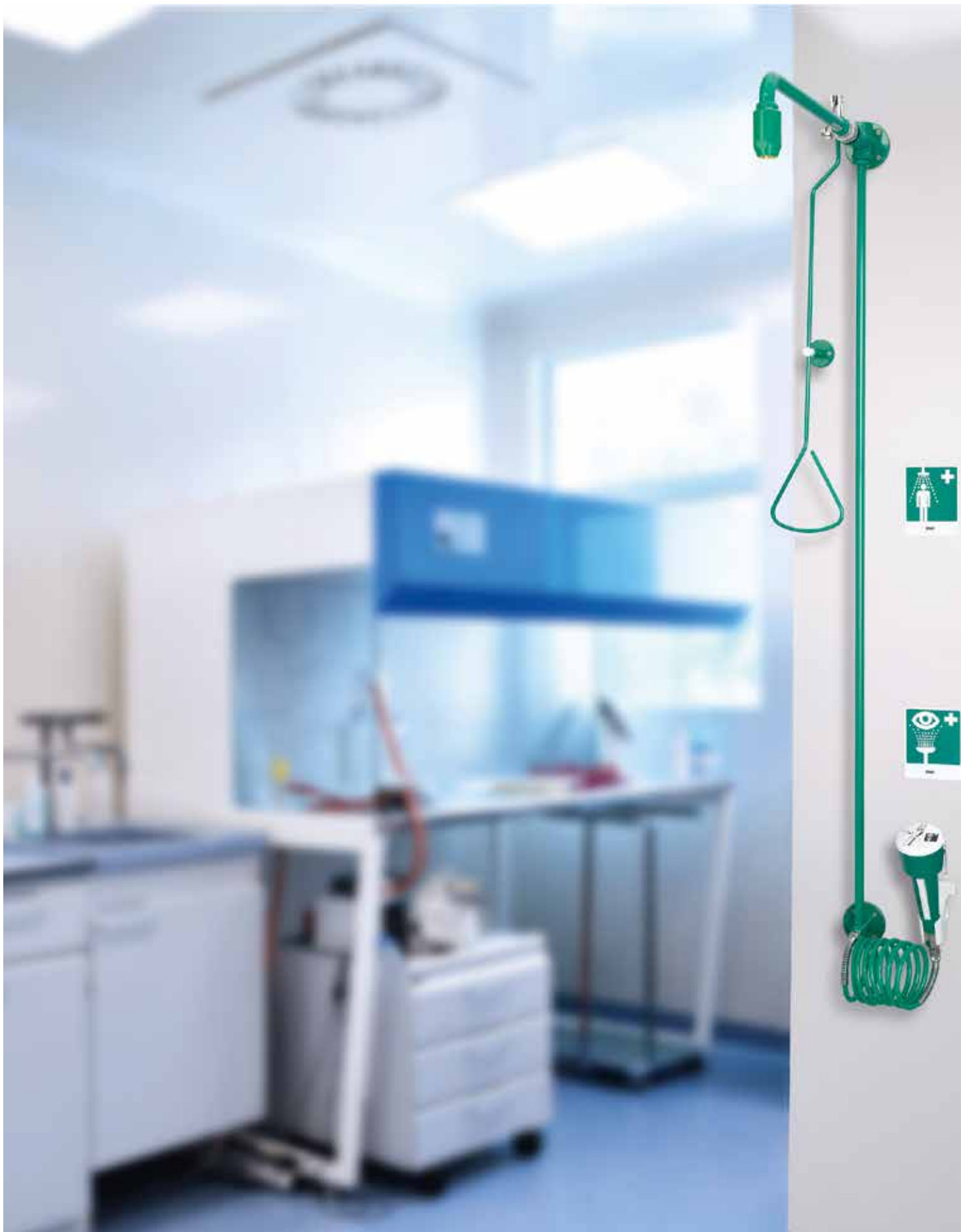
Commercial sink and underframe welded together, stainless steel, surface satin finished, material thickness 1 mm, deep drawn seamless welded bowl, without overflow and 80 mm tap ledge, 1 1/2" waste with two part overflow tube consisting of perforated stainless steel tube and plastic tube, drain board with riffle and slanted to bowl, drain board with reinforced stainless steel bracket, 100 mm rear upstand, underframe with 300 mm cover, cover with cut out for dishwasher, feet 40 x 40 mm and height adjustable to 25 mm, cross stud on backside for better stability, drilling holes for wall mounting prelasered.

Dimensions 1400 x 1000 x 700 mm (W x H x D)

**MAXL140-70FDW**

2000057560







# Emergency showers

Emergency showers are used in work areas where employees are at risk of injuries such as burns or contamination. Immediately applying unlimited amounts of water to the affected areas helps to limit the extent of the injuries in both the short and the long term. The product range comprises of eye and face showers, body showers with draw bar operation, emergency shower valves and showerheads in addition to the combination emergency shower.

## Emergency showers

<b>KWC</b> Eye-wash and face-wash fountains	378
<b>KWC</b> Body showers with draw bar operation	380
<b>KWC</b> Combined emergency showers	384
<b>KWC</b> Emergency shower valves and showerheads	385
<b>KWC</b> Accessories	386

# Eye wash and face wash fountains

Type

Article Number

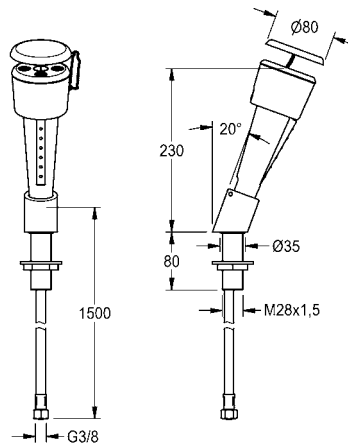


## Eye- and face-wash fountain for table top installation

Eye-wash and face-wash fountain for table top installation with hand shower and hose with a stainless steel cover and table mounting. Meets the requirements of EN 15154-2 and ANSI Z358.1-2014. Green plastic hand shower, table mounting is brass, powder coated in white, dust protection cap with user instructions.

FAID100

2000101100

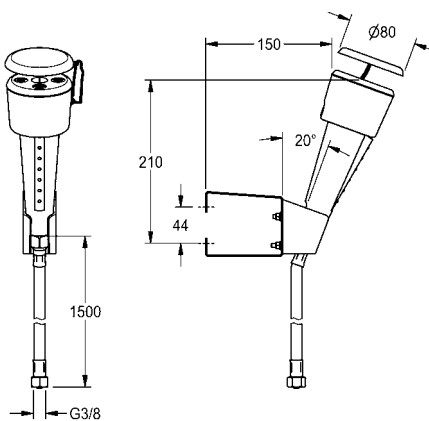


## Eye- and face-wash fountain for wall mounting

Eye-wash and face-wash fountain for wall mounting with hand shower and hose with a stainless steel cover and wall-mounted holder. Meets the requirements of EN 15154-2 and ANSI Z358.1-2014. Green plastic hand shower, screw wall-mounted holder in plastic white, dust protection cap with user instructions.

FAID101

2000101101

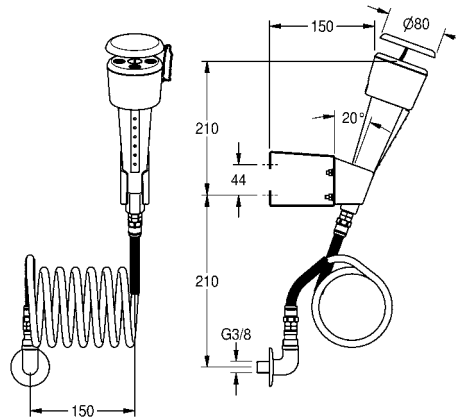


### Eye- and face-wash fountain for mounting on walls or laboratory furniture

Eye-wash and face-wash fountain with green plastic hand shower and hose with a stainless steel cover. Meets the requirements of EN 15154, Part -2 and ANSI Z358.1-2014. Green plastic hand shower, dust protection cap with user instructions. For mounting on walls or laboratory furniture, with spiral hose.

FAID103

2000101102

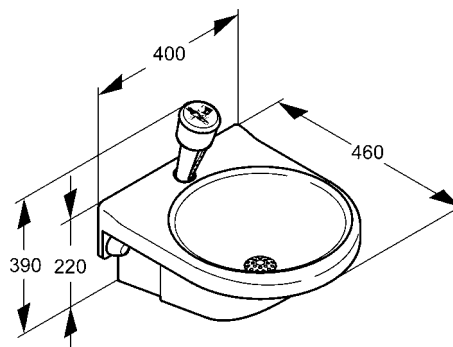


### Eye- and face-wash fountain with water collection basin

Eye-wash and face-wash fountain with water collection basin made of green plastic with bracket for wall mounting. Hand shower with hose connection, Meets the requirements of EN 15154-2 and ANSI Z358.1-2014, green plastic housing, dust protection cap with user instructions. Mounting material included.

FAID108

2000101103



# Body showers with draw bar operation

Type Article Number



## Emergency shower activated by a pull-rod with water supply from ceiling or from left or right

Pull-rod operated emergency shower, surface mounting near the door, with water supply from ceiling and operation with triangle handle right or water supply from both sides and operation left or right near the exit. Valve with wall bracket and emergency showerhead over the middle of the door. Non-self-closing, the water flow is stopped by pushing up the pull rod, green EPS coating (RAL 6032), complies with EN 15154, Part 1. Includes the "emergency shower" safety symbol on an adhesive label in compliance with ISO 3864, Part 1.

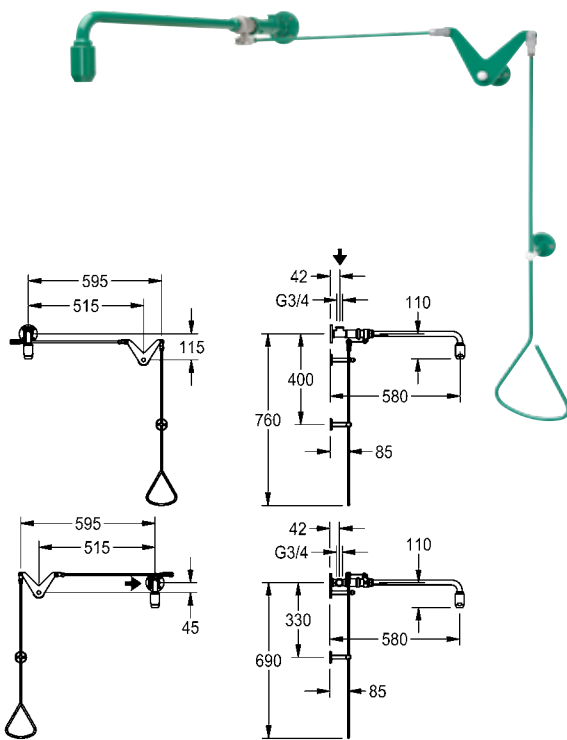
Volumetric flow rate approx. 65 l/min at 1 bar pressure, approx. 110 l/min at 3 bar pressure, water connection G 3/4.

**FAID0003** 2030019025

### Optional accessories

Extension for coupling-rod and pull-rod for wide doors, length 500 mm.

**ZFAID0003** 2030061050



## Emergency shower activated by a pull-rod with water supply from the wall

Pull-rod operated emergency shower, for surface mounting next to doors, with water supply from the wall, valve operation with triangular handle to the right or the left of the exit. Valve with wall bracket and emergency showerhead over the middle of the door. Non-self-closing, the water flow is stopped by pushing up the pull rod, green EPS coating (RAL 6032), complies with EN 15154, Part 1, includes the "emergency shower" safety symbol on an adhesive label in compliance with ISO 3864, Part 1 and user instructions.

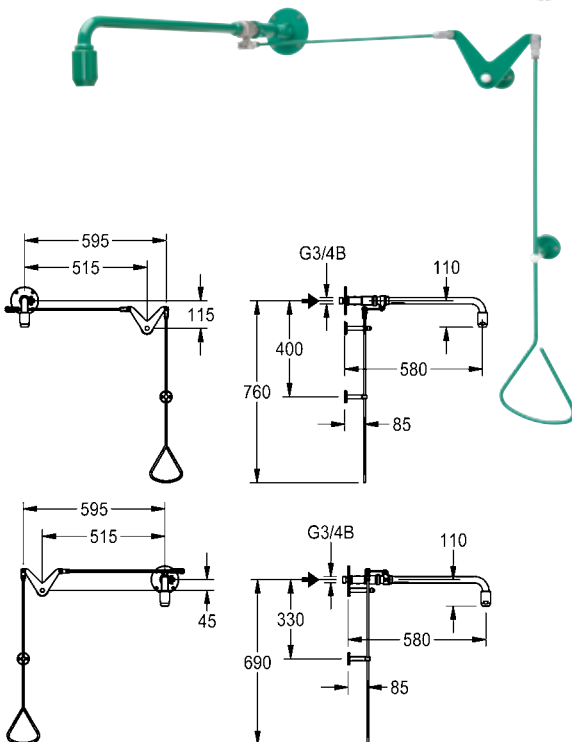
Volumetric flow rate approx. 65 l/min at 1 bar pressure, approx. 110 l/min at 3 bar pressure, water connection G 3/4 B.

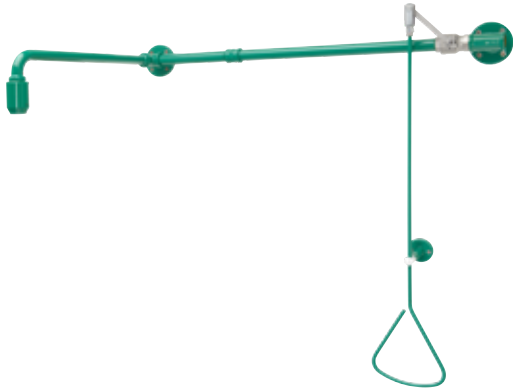
**FAID0004** 2030019057

### Optional accessories

Extension for coupling-rod and pull-rod for wide doors, length 500 mm.

**ZFAID0003** 2030061050





### Emergency shower activated by a pull-rod with water supply from left or right

Pull-rod operated emergency shower, for surface mounting next to doors, with water supply from left or right, valve operated by triangular handle to the right or the left of the exit. Valve mounted to the side above the door, with wall bracket and emergency shower head over the middle of the door. Non-self-closing, the water flow is stopped by pushing up the pull rod, green EPS coating (RAL 6032), complies with EN 15154, Part 1, includes the "emergency shower" safety symbol on an adhesive label in compliance with ISO 3864, Part 1 and user instructions.

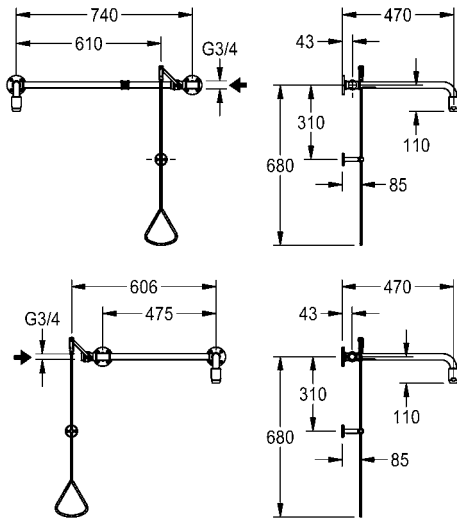
Volumetric flow rate approx. 65 l/min at 1 bar pressure, approx. 110 l/min at 3 bar pressure, water connection G 3/4.

**FAID0005** 2030019066

#### Optional accessories

Extension for coupling-rod and pull-rod for wide doors, length 500 mm.

**ZFAID0003** 2030061050



# Body showers with draw bar operation

Type Article Number



## Emergency shower activated by a pull-rod with water supply from the ceiling or from the right

Pull-rod operated emergency shower, for surface mounting, with water supply from the ceiling or from the right, valve operated by triangular handle. With wall bracket and emergency shower head. Non-self-closing, the water flow is stopped by pushing up the pull rod, green EPS coating (RAL 6032), complies with EN 15154, Part 1, includes the "emergency shower" safety symbol on an adhesive label in compliance with ISO 3864, Part 1 and user instructions.

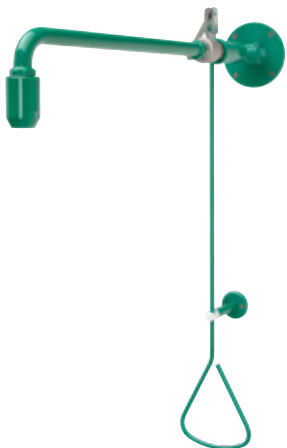
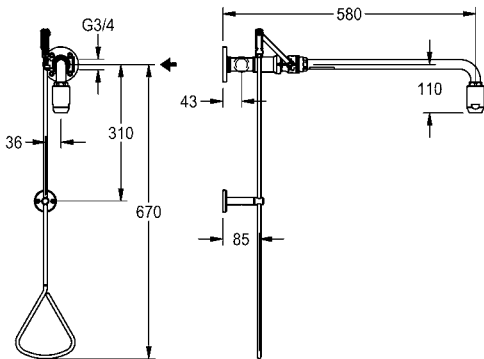
Volumetric flow rate approx. 65 l/min at 1 bar pressure, approx. 110 l/min at 3 bar pressure, water connection G 3/4.

**FAID0006** 2030019084

### Optional accessories

Extension for coupling-rod and pull-rod for wide doors, length 500 mm.

**ZFAID0003** 2030061050



## Emergency shower activated by a pull-rod with water supply from the wall

Pull-rod operated emergency shower, for surface mounting, with water supply from the wall and side connection (sealed with plug) for connecting an eye wash fountain, valve operated by triangular handle. With wall bracket and emergency shower head. Non-self-closing, the water flow is stopped by pushing up the pull rod, green EPS coating (RAL 6032), complies with EN 15154, Part 1, includes the "emergency shower" safety symbol on an adhesive label in compliance with ISO 3864, Part 1 and user instructions.

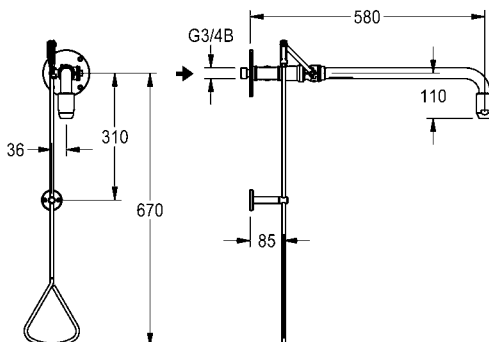
Volumetric flow rate approx. 65 l/min at 1 bar pressure, approx. 110 l/min at 3 bar pressure, water connection G 3/4 B.

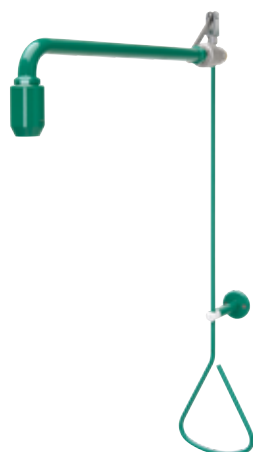
**FAID0007** 2030019170

### Optional accessories

Extension for coupling-rod and pull-rod for wide doors, length 500 mm.

**ZFAID0003** 2030061050





### Emergency shower activated by a pull-rod on connection piece

Pull-rod operated emergency shower, for surface mounting, on connection piece provided by the customer. Valve activated by triangular handle. With wall bracket and emergency shower head. Non-self-closing, the water flow is stopped by pushing up the pull rod, green EPS coating (RAL 6032), complies with EN 15154, Part 1, includes the "emergency shower" safety symbol on an adhesive label in compliance with ISO 3864, Part 1 and user instructions.

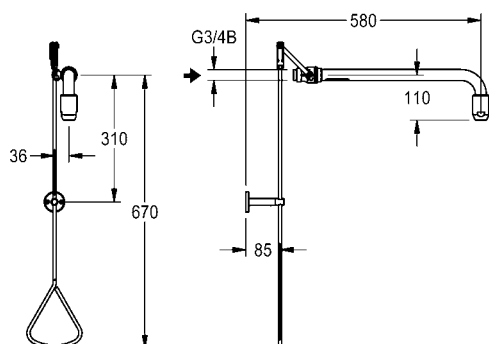
Volumetric flow rate approx. 65 l/min at 1 bar pressure, approx. 110 l/min at 3 bar pressure, water connection G 3/4 B.

**FAID0008** 2030019175

Optional accessories

Extension for coupling-rod and pull-rod for wide doors, length 500 mm.

**ZFAID0003** 2030061050



### Emergency shower activated by a pull-rod for ceiling mounting

Pull-rod operated emergency shower, for ceiling mounting, with water supply from the ceiling, valve operated by triangular handle, shower pipe with horizontal offset so that the handle is outside the water spray. Non-self-closing, the water flow is stopped by pushing up the handle. With wall bracket and emergency shower head, green EPS coated (RAL 6032). Complies with EN 15154, Part 1. Includes the "emergency shower" safety symbol on an adhesive label in compliance with ISO 3864, Part 1 and user instructions.

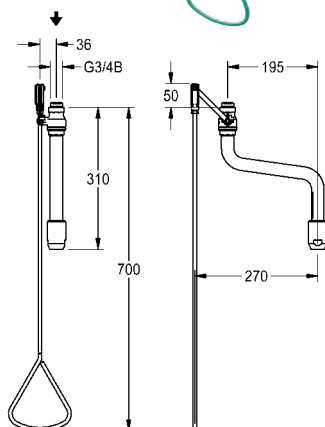
Volumetric flow rate approx. 65 l/min at 1 bar pressure, approx. 110 l/min at 3 bar pressure, water connection G 3/4 B.

**FAID0009** 2030019182

Optional accessories

Extension for coupling-rod and pull-rod for wide doors, length 500 mm.

**ZFAID0003** 2030061050



# Combinations, valves, emergency shower head

Type

Article Number

## Emergency combined body shower for water supply from the ceiling

Combined emergency body shower and eye-wash fountain, for surface mounting, for water supply from the ceiling. Can be used independently of each other. Valve operation of shower head by triangular handle, hand shower operated by pressing the white trigger button. Neither function self-closing. Water flow stopped by pushing the pull rod up or, with the eye-wash fountain, by pressing the red water stop button. Wall bracket and emergency shower head. Eye-wash fountain with device for precise positioning, inclined 20° forward, with spiral hose for flexible or stationary use. With an integrated flow regulator for a constant water spray height, return flow inhibitor, grit filter and dust cap with user instructions. Surface body shower, green EPS coated (RAL 6032), eye-wash fountain, plastic, green with white trigger button. Complies with EN 15154, Parts 1 and 2, includes the "emergency shower" and "eye washing facility" safety symbol on an adhesive label in compliance with ISO 3864, Part 1.

Volumetric flow rate body shower: approx. 65 l/min at 1 bar pressure, approx. 110 l/min at 3 bar pressure

Volume flow rate eye-wash fountain: 9 l/min from 1 bar pressure upwards  
Water connection: G 3/4

**FAID0010**

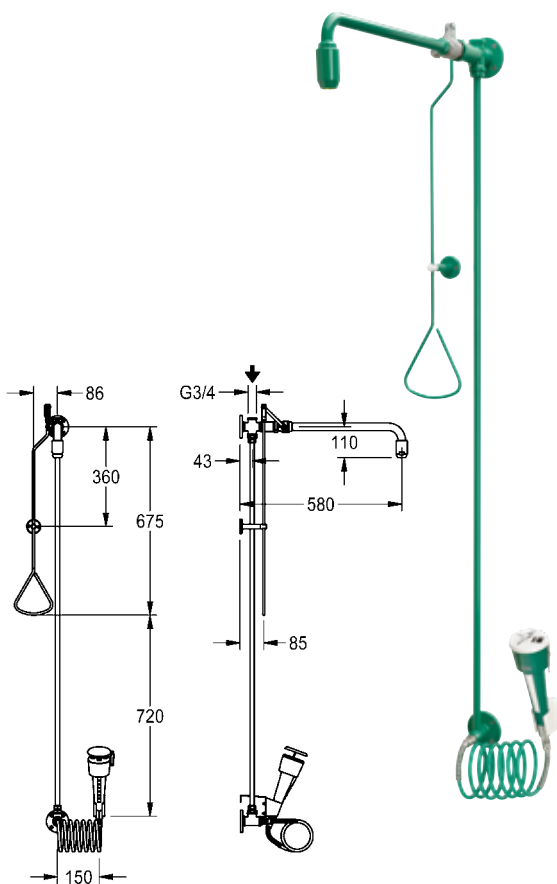
2030019212

Optional accessories

Extension for coupling-rod and pull-rod for wide doors, length 500 mm.

**ZFAID0003**

2030061050



## Emergency combined body shower for water supply from the wall

Combined emergency body shower and eye-wash fountain, for surface mounting, for water supply from the wall. Can be used independently of each other. Valve operation of showerhead by triangular handle, hand shower operated by pressing the white trigger button. Neither function self-closing. Water flow stopped by pushing the pull rod up or, with the eye-wash fountain, by pressing the red water stop button. Wall bracket and emergency shower head. Eye-wash fountain with device for precise positioning, inclined 20° forward, with spiral hose for flexible or stationary use. With an integrated flow regulator for a constant water spray height, non-return valve, grit filter and dust cap with user instructions. Surface body shower, green EPS coated (RAL 6032), eye-wash fountain, plastic, green with white trigger button. Complies with EN 15154, Part 1 and 2, includes the "emergency shower" and "eye washing facility" safety symbol on an adhesive label in compliance with ISO 3864, Part 1.

Volumetric flow rate body shower: approx. 65 l/min at 1 bar pressure, approx. 110 l/min at 3 bar pressure

Volume flow rate eye-wash fountain: 9 l/min from 1 bar pressure upwards  
Water connection: G 3/4 B

**FAID0011**

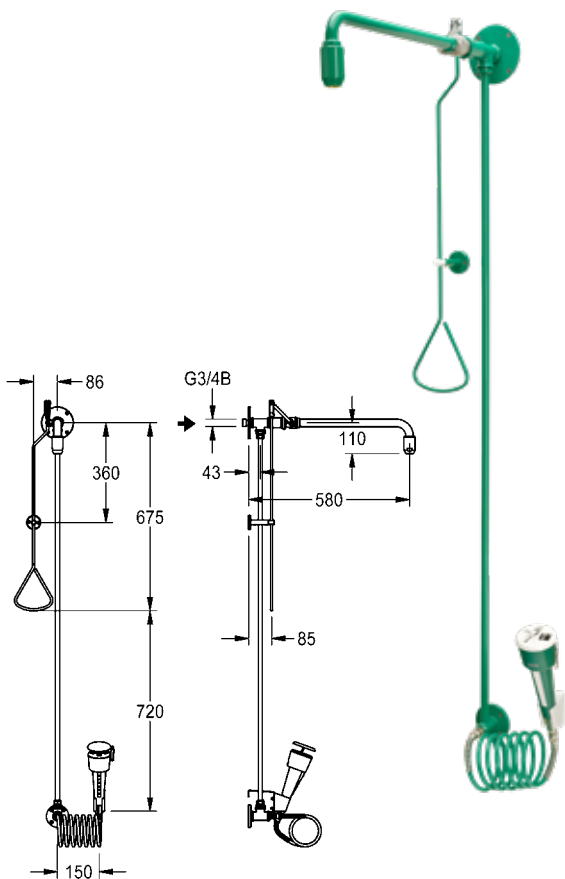
2030019221

Optional accessories

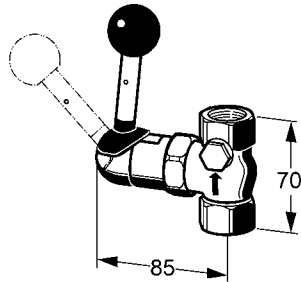
Extension for coupling-rod and pull-rod for wide doors, length 500 mm.

**ZFAID0003**

2030061050







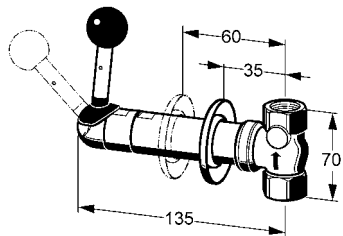
### Emergency shower valve for surface mounting

Emergency shower valve DN 20 for surface mounting, with drain hole, sealed with plug, tilt lever with ball handle, not self-closing. Includes the "emergency shower" safety symbol on an adhesive label in compliance with ISO 3864, Part 1 and user instructions. Green EPS coated brass (RAL 6032). Meets the requirements of EN 15154, Part 1.

Volumetric flow unimpeded approx. 60 l/min at 1 bar pressure.  
Connection G 3/4

**FAID675**

2000101127



### Emergency shower valve for surface mounting

Emergency shower valve DN 20 for surface mounting with rosette, with drain hole, sealed with plug, tilt lever with ball handle, not self-closing. Includes the "emergency shower" safety symbol on an adhesive label in compliance with ISO 3864, Part 1 and user instructions, green EPS coated brass (RAL 6032). Meets the requirements of EN 15154, Part 1.

Volumetric flow unimpeded approx. 60 l/min at 1 bar pressure.  
Installation depth 35 - 60 mm, connection G 3/4

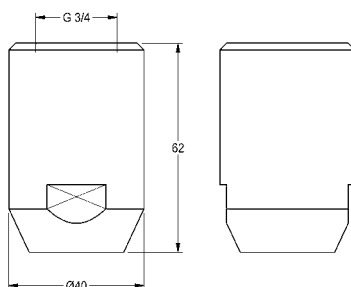
**FAID676**

2000101128

Installation depth 35-95 mm

**FAID677**

2000101129



### Emergency showerhead

Emergency shower head DN 20, self-draining, green EPS coated brass (RAL 6032). Complies with EN 15154, Part 1.

Volumetric flow rate approx. 65 l/min at 1 bar pressure,  
volumetric flow rate approx. 110 l/min at 3 bar pressure.

**FAID0001**

2030018810

Optional accessories

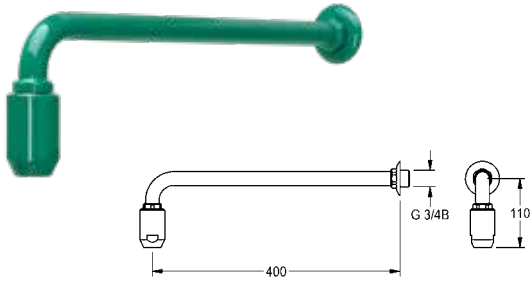
Wall arm with rosette for DN 20 emergency showerhead

**ZFAID0001**

2030018827

# Emergency showerhead, wall arm, accessories

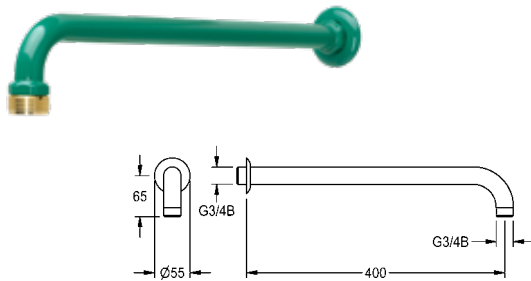
Type	Article Number
------	----------------



## Emergency showerhead with wall bracket

Emergency shower head DN 20 with wall bracket and rosette, self-draining, green EPS coated brass (RAL 6032). Complies with EN 15154, Part 1. Volumetric flow rate approx. 65 l/min at 1 bar pressure, volumetric flow rate approx. 110 l/min at 3 bar pressure.

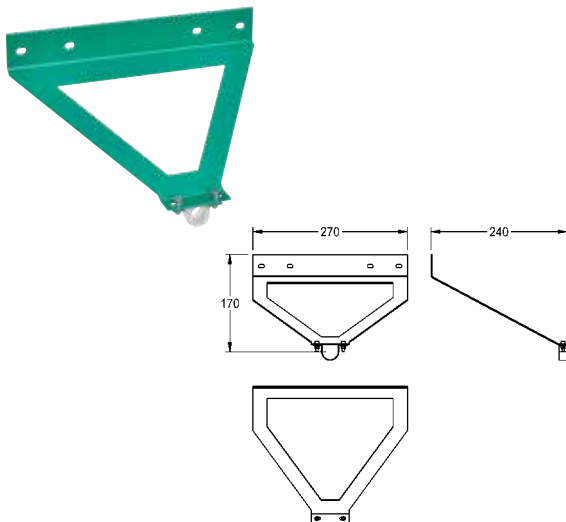
<b>FAID0002</b>	2030018821
-----------------	------------



## Wall arm

Wall bracket with rosette for emergency shower head DN 20, green EPS coated brass (RAL 6032).

<b>ZFAID0001</b>	2030018827
------------------	------------

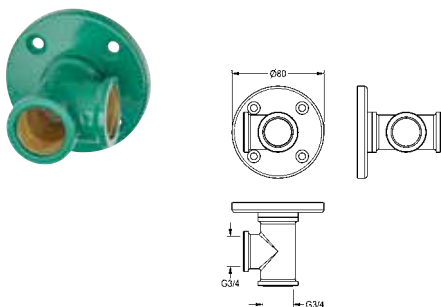


## Wall arm holder

Wall arm holder for DN 20 emergency shower wall arm for installation in lightweight walls or as protection from vandals, powder-coated steel sheet, green (RAL 6032).

Dimensions 270 x 170 x 240 mm (W x H x D)

<b>ZFAID700</b>	2030060157
-----------------	------------



## Wall connecting piece

Wall connection piece for wall-bracket mounting and connection to emergency shower valve for surface mounting, 4 screw mounting, green EPS coated brass (RAL 6032).

For wall bracket DN 20, connection G 3/4 x G 3/4

<b>ZFAID694</b>	2000101156
-----------------	------------



KWC

**Safety label emergency shower**

"Emergency shower" safety symbol for body showers on an adhesive label in compliance with ISO 3864, Part 1, green/white, 105 x 130 mm (W x H).

FAID904

2000101152



KWC

**Safety label eye-washing facility**

"Eye washing facility" safety symbol for eye-wash and face-wash fountains on an adhesive label in compliance with ISO 3864, Part 1, green/white, 105 x 130 mm.

FAID903

2000101153



# Accessories and functional parts

The KWC Professional product range comprises a comprehensive assortment of special tools, cleaning and care products, as well as the corresponding spare parts for the taps, shower and flushing controls.

Cleaning/care, special tools, functional parts

<b>KWC</b> Assortment of cleaning and care products	390
<b>KWC</b> Special tools	391
<b>KWC</b> Solenoid valve cartridges	392
<b>KWC</b> Functional parts for washbasin taps, shower taps and flush valves	393

## Cleaning/care, special tools



---

Type	Article Number
------	----------------

---

### Twister cleaning paste

Twister, 125 ml, can inclusive sponge, ideal for stainless steel.

Surfaces, not irritant.

<b>TWISTER 1</b>	2000090040
------------------	------------

---



### INOX cream stainless steel cleaning agent

INOX-creme, 250 g stainless steel cleaner tube, not irritant white paste with lemon scent, easily biodegradable, pH-value 3,5, non-combustible

<b>INOX-CREME</b>	2000057675
-------------------	------------

---



### Cleaning product CHROMOL

Cleaning product CHROMOL 0,5 l

<b>ZWSPL0023</b>	2000105091
------------------	------------

---

Stainless steel care set consisting of: 1 coarse sanding sponge, 1 fine sanding sponge and 1 pump sprayer CHROMOL stainless steel care product.

<b>ZWSPL0024</b>	2000109019
------------------	------------

---

### Polishing tool

Polishing agent for MIRANIT / ROTOLITH products with a gel coat surface (shiny), contents 125 ml.

<b>ZWSPL0025</b>	2000110575
------------------	------------

---



Type	Article Number
------	----------------

**Retaining ring**

Face wrench, adjustable

**ZAQUA093** 2000102690



**Electronic side cutter**

Electronic side cutter

**ZFITG0005** 2000110478



**Hexagonal socket wrench**

Hexagonal socket wrench 22 x 24

**ZFITG0003** 2000106127



**Screwdriver**

Screwdriver, blade with 3 mm

**ZFITG0001** 2000103570



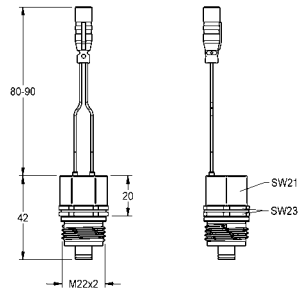
**Hexagon socket screw key 1,5 mm**

Hexagon socket screw key 1,5 mm

**ZFITG0006** 2000110479

# Solenoid valve cartridges, functional parts for washbasin taps

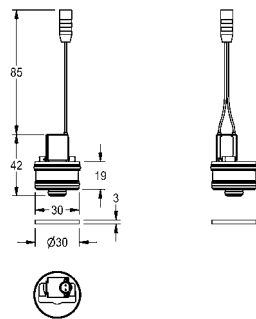
Type	Article Number
------	----------------



## Solenoid valve cartridge

Solenoid valve cartridge DN 5, bistable, with waterproof plug and grit filter, 6 V DC.

**ACXX9002** 2030045522



## Bypass solenoid valve cartridge

Bypass solenoid valve cartridge bistable with waterproof plug and grit filter as a retrofitting/spare parts set for thermostatic mixer with function block, for performing thermal disinfections, 6 V DC.

**ZAQCT002** 2000109499



## Bypass solenoid valve cartridge

Bypass solenoid valve cartridge with waterproof plug and grit filter as a retrofitting/spare parts set for AQUALINE-Therm and AQUATIMER - A3000 open fittings with thermostatic mixer and function block, for performing thermal disinfections. Operating voltage 24 V DC.

**ZAQUA015** 2000100431

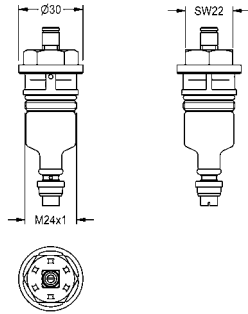


## Bypass solenoid valve cartridge

Bypass solenoid valve cartridge with waterproof plug and grit filter as a retrofitting set for shower panel SMARTWAVE with AQUALINE-THERM self-closing thermostatic mixer, for performing thermal disinfections, 24 V DC.

**ZCTRL001** 2000111145



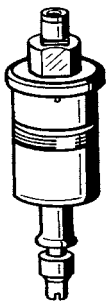


Type	Article Number
------	----------------

**Functional part**

Functional part for wash fittings / urinal flush valves, colour identification yellow.

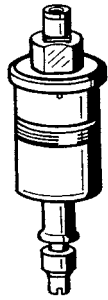
<b>ETAPS0001</b>	2000104372
------------------	------------



**Functional part**

Functional part for AQUALINE pillar and bib taps.

<b>EAQLN0002</b>	2000104375
------------------	------------



**Functional part**

Functional part for AQUAMIX self-closing single mixer **as pillar tap**, version until 1994.

<b>EAQMX0001</b>	2000104377
------------------	------------

for wall-mounted mixers

<b>EAQMX0002</b>	2000104382
------------------	------------



**Functional part**

Functional part for wash taps AQUALINE S, AQUALINE C, AQUAMIX S and AQUAMIX C.

<b>ETAPS0002</b>	2000104357
------------------	------------

# Accessories and functional parts for washbasin taps



Type	Article Number
------	----------------

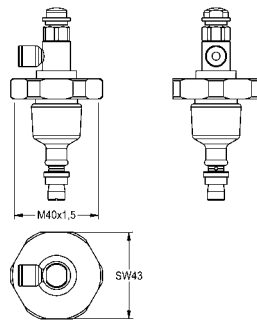
## Head part

Head part for self-closing valves **DN 15**, for washing facilities

**ETAPS0003** 2000104376

DN 20

**ETAPS0013** 2000104402



## Head part

Head part for self-closing valve **DN 15** with remote control.

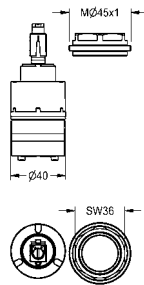
**ETAPS0007** 2000104387

DN 20

**ETAPS0008** 2000104388

DN 15 for AQUALINE

**EAQLN0005** 2000104403



## Ceramic cartridge

Ceramic disc cartridge with thermostatic scald-protection, permanently adjusted for **41°C**, complete with threaded ring, for AQUALINE single lever mixer.

**EAQFT0002** 2030008760

Ceramic disc cartridge, permanently adjusted for maximum **38°C**

**EAQFT0007** 2030017123



## FRAMIC Self-closing cartridge

FRAMIC self-closing cartridge for F5S self-closing pillar tap and F5S-Therm self-closing thermostatic mixer.

**ASSX9001** 2030046145



## FRAMIC self-closing mixing cartridge

FRAMIC self-closing mixing cartridge for F5S-Mix self-closing wall mixer and self-closing in-wall mixer.

**ASSM9001** 2030046185



**FRAMIC Self-closing mixing cartridge**

FRAMIC self-closing mixing cartridge for F5S-Mix self-closing pillar mixer.

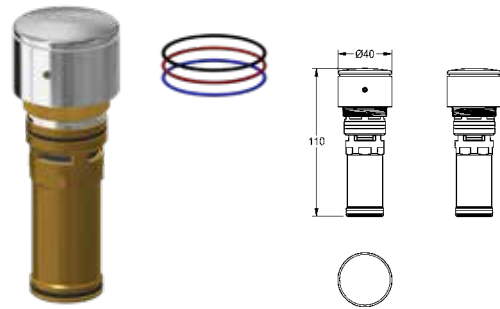
<b>ASSM1001</b>	2030046146
-----------------	------------



**Functional part**

Functional part for F3 self-closing wash fittings, colour identification orange.

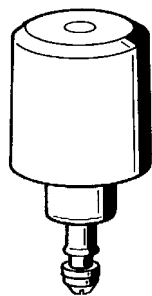
<b>ASSX1003</b>	2030042948
-----------------	------------



**Functional part**

Functional part with anti-blocking system ABS2 for safety shutdown if the tap is operated continuously for AQUALINE-S wash taps and F3S pillar and bib taps and stand mixers. Flow time adjustable.

<b>ASSV1005</b>	2030049138
-----------------	------------



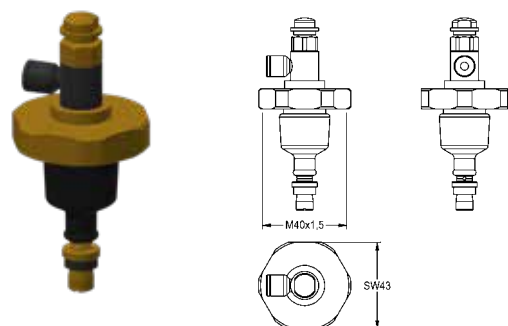
**Head part**

Head part for self-closing valves DN 15, for shower fittings.

<b>ESHOW0002</b>	2000104353
------------------	------------

DN 20

<b>ESHOW0006</b>	2000104373
------------------	------------



**Head part**

Head part for self-closing valve **DN 15** with remote control.

<b>ETAPS0007</b>	2000104387
------------------	------------

DN 20

<b>ETAPS0008</b>	2000104388
------------------	------------

DN 15 for AQUALINE

<b>EAQLN0005</b>	2000104403
------------------	------------

# Accessories and functional parts for washbasin taps, for shower taps

Type	Article Number
------	----------------



### Functional part

Functional part for self-closing valve with integrated shower head and AQUAMIX self-closing single-knob mixer (version up to 1983) for shower systems

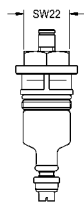
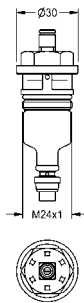
<b>ESHOW0007</b>	2000104383
------------------	------------



### Functional part

Functional part for AQUAMIX self-closing single mixer as shower fitting, version until 1996.

<b>ESHOW0003</b>	2000104354
------------------	------------



### Functional part

Functional part for shower fittings, colour identification blue.

<b>ESHOW0001</b>	2000104352
------------------	------------



### FRAMIC Self-closing cartridge

FRAMIC self-closing cartridge for F5S self-closing pillar tap and F5S-Therm self-closing thermostatic mixer.

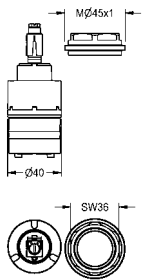
<b>ASSX9001</b>	2030046145
-----------------	------------



### FRAMIC self-closing mixing cartridge

FRAMIC self-closing mixing cartridge for F5S-Mix self-closing wall mixer and self-closing in-wall mixer.

<b>ASSM9001</b>	2030046185
-----------------	------------

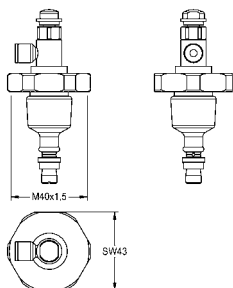


Type	Article Number
------	----------------

**Ceramic disc cartridge with thermostatic scald-protection**

Ceramic disc cartridge with thermostatic scald-protection, permanently set to 43 °C, for F5L-Mix single lever mixer for shower facilities.

<b>ASLM2004</b>	2030042712
-----------------	------------



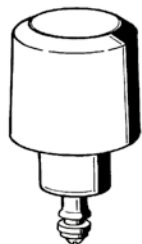
**Head part**

Head part for self-closing valve **DN 15** with remote control.

<b>ETAPS0007</b>	2000104387
------------------	------------

DN 20	<b>ETAPS0008</b>	2000104388
-------	------------------	------------

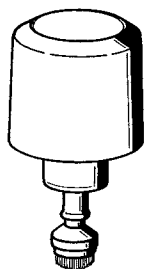
DN 15 for AQUALINE	<b>EAQLN0005</b>	2000104403
--------------------	------------------	------------



**Head part**

Head part for WC flush valve DN 20, from modell year 1983

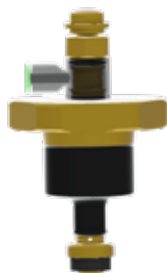
<b>EFLSY0002</b>	2000104380
------------------	------------



**Head part**

Head part for WC flush valve DN 20 with noise group I, modell AQUAREX 85

<b>AQRM924</b>	2000104396
----------------	------------



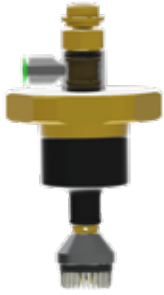
**Head part**

Head part for WC flush valve DN 20 with remote control

<b>EFLSY0005</b>	2000104389
------------------	------------

# Accessories and functional parts for shower taps, for flush valves

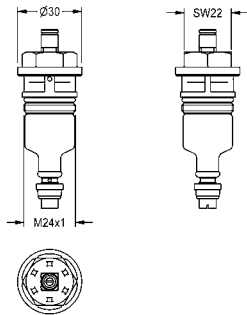
Type	Article Number
------	----------------



## Head part

Head part for WC flush valve DN 20 with remote control and noise group I.

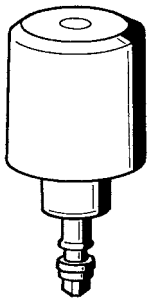
<b>EFLSY0004</b>	2000104384
------------------	------------



## Functional part

Functional part for wash fittings / urinal flush valves, colour identification yellow.

<b>ETAPS0001</b>	2000104372
------------------	------------



## Head part

Head part for urinal flush valve DN 15

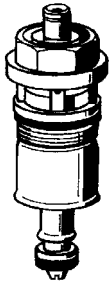
<b>EFLSY0001</b>	2000104356
------------------	------------



## Functional part

Complete self-closing cartridge element, for AQUALINE urinal flush valves with remote control, 2002 and newer.

<b>EFLSY0036</b>	2000105612
------------------	------------

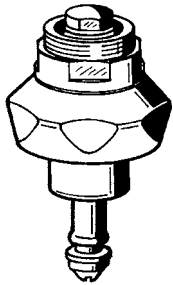


Type	Article Number
------	----------------

**Functional part**

Functional part for AQUALINE WC flush valve **DN 15.**

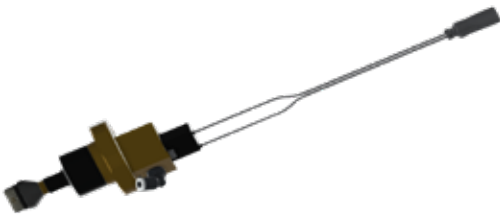
<b>EAQLN0004</b>	2000104394
DN 20	
<b>EAQLN0001</b>	2000104374



**Head part**

Head part for solenoid self-closing valve **DN 15.**

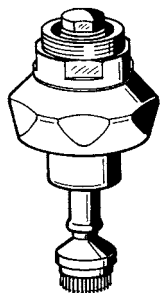
<b>EFITG0007</b>	2000104398
DN 20	
<b>EFITG0008</b>	2000104399
DN 25	
<b>EFITG0009</b>	2000104400



**Head part**

Head part for WC flush valve with noise group I, with solenoid valve and connection adapter, 24 V DC.

<b>EFLSY0016</b>	2000104418
------------------	------------



**Head part**

Head part for WC flush valve DN 20 with noise group I, without solenoid part.

<b>EFLSY0020</b>	2000104483
------------------	------------

# Type index

Type	Item Number	Page	Type	Item Number	Page
<b>A</b>			ACXX2011	2030057066	199
A3OP0003	2030061587	215	ACXX2012	2030057067	199
A3OP0004	2030061589	215	ACXX2013	2030057068	199
ACDR0001	2030052329	313	ACXX2014	2030057069	199
ACDR0002	2030052330	313	ACXX2015	2030057070	199
ACDR0003	2030052331	313	ACXX2016	2030057071	199
ACDR0004	2030052332	313	ACXX2017	2030057072	199
ACDR0005	2030052333	313	ACXX2018	2030057073	199
ACEF3001	2030056786	213	ACXX2019	2030057075	199
ACEF3002	2030067532	220	ACXX2020	2030057076	199
ACEF3003	2030070859	221	ACXX2021	2030057077	199
ACEF3004	2030072412	221	ACXX9002	2030045522	392
ACEF4003	2030067649	214	AL300HD	2000056718	291
ACEM1001	3600000504	214	AL300HD	2000056718	339
ACEM1002	3600000505	214	ALIO320	2000101444	326
ACET1001	2030041914	213	ALIO320	2000101444	327
ACET1002	2030041915	213	ALIO325	2000101446	326
ACET1003	2030041916	213	ALIO325	2000101446	327
ACET1004	2030041917	213	ALIO330	2000101445	326
ACET2001	2030041918	213	ALIO330	2000101445	327
ACET9001	2030039541	024	ALIO335	2000101447	326
ACET9001	2030039541	148	ALIO335	2000101447	327
ACEV1002	2030065092	213	ANMT2001	2030054380	087
ACEX1001	2030040334	058	ANMT2002	2030054381	087
ACEX1002	2030041520	213	ANMT4001	2030054382	086
ACEX1004	2030059118	213	ANMT4002	2030054383	086
ACEX9001	2030039477	060	ANMW0001	2030073252	088
ACEX9001	2030039477	203	ANMW0001	2030073252	125
ACEX9004	2030036849	061	ANMW0003	2030073250	088
ACEX9004	2030036849	203	ANMW0003	2030073250	125
ACEX9005	2030036654	061	ANMW0010	2030073251	088
ACEX9005	2030036654	203	ANMW0012	2030026288	127
ACEX9005	2030036654	226	ANMW0013	2030026290	130
ACLM9001	2030039446	032	ANMW0036	2030058091	057
ACLM9001	2030039446	153	ANMW0036	2030058091	092
ACLX1001	2030068985	031	ANMW0038	2030070763	118
ACLX1003	2030068986	031	ANMW0039	2030070764	119
ACLX1005	2030068987	031	ANMW0040	2030072426	119
ACLX1007	2030068988	031	ANMW0041	2030072427	119
ACST9001	2030041162	018	ANMW0042	2030072428	118
ACST9001	2030041162	143	ANMW0043	2030072429	119
ACSX1001	2030041519	058	ANMW0044	2030072430	122
ACXF3001	2030071742	227	ANMW0045	2030072431	122
ACXM1002	2030058762	053	ANMW0046	2030070523	120
ACXX1002	2030041326	059	ANMW0047	2030070524	121
ACXX2004	2030041561	200	ANMW0048	2030072432	120
ACXX2005	2030050434	200	ANMW0049	2030072433	121
ACXX2006	2030050435	200	ANMW0050	2030072434	120
ACXX2007	2030051216	197	ANMW0051	2030072435	121
ACXX2008	2030051217	197	ANMW0052	2030072436	120



Type	Item Number	Page	Type	Item Number	Page
ANMW0053	2030072437	121	ANMX205	2000071493	068
ANMW0054	2030072438	122	ANMX210	2000056723	068
ANMW0055	2030072439	122	ANMX450	2000071857	065
ANMW0056	2030072440	123	ANMX460	2000102710	064
ANMW0057	2030072441	123	ANMX460	2000102710	328
ANMW0058	3600000232	124	ANMX461	2000102711	064
ANMW0059	3600000234	124	ANMX461	2000102711	328
ANMW0060	3600000235	124	ANMX462	2000102712	064
ANMW0061	3600000205	089	ANMX462	2000102712	328
ANMW0062	3600000206	089	ANMX500	2000056724	064
ANMW0062	3600000206	125	ANMX501	2000056774	064
ANMW198	2000090002	101	ANMX502	2030029755	064
ANMW199	2000090003	101	ANMX600	2000100022	064
ANMW210	2000090004	093	ANMX601	2000100023	064
ANMW211	2000090005	093	AQFU0216	2030064892	049
ANMW220	2000090006	093	AQFU0217	2030064895	049
ANMW221	2000090007	093	AQFU0218	2030064897	049
ANMW230	2000090008	093	AQFU0219	2030064898	049
ANMW231	2000090009	093	AQFU0220	2030064899	049
ANMW322	2000106177	359	AQFU0221	2030064904	049
ANMW323	2030006863	359	AQFU0222	2030064903	049
ANMW410	2000090010	090	AQFU0223	2030064907	049
ANMW411	2000090011	090	AQFU0224	2030064912	049
ANMW416	2000101159	090	AQFU0225	2030064917	049
ANMW417	2030036243	090	AQFU0226	2030064918	050
ANMW420	2000090012	091	AQFU0230	2030064965	050
ANMW421	2000090013	091	AQFU0231	2030064966	050
ANMW430	2000090014	091	AQFU0232	2030064967	050
ANMW431	2000090015	091	AQFU0233	2030064969	050
ANMW500	2030020956	100	AQFU0234	2030064971	050
ANMW500	2030020956	126	AQFU0235	2030064973	051
ANMW501	2030020958	100	AQFU0240	2030064986	051
ANMW501	2030020958	126	AQFU0241	2030064987	051
ANMW502	2030020959	100	AQFU0242	2030064988	051
ANMW502	2030020959	126	AQFU0243	2030064992	051
ANMW503	2030020961	100	AQFX0001	2030020123	238
ANMW503	2030020961	126	AQFX0002	2000110549	238
ANMW504	2030020962	100	AQFX0003	2030019966	241
ANMW504	2030020962	126	AQFX0004	2030019974	241
ANMW505	2030020963	100	AQFX0006	2030020126	240
ANMW505	2030020963	126	AQFX0007	2030020128	240
ANMX-BT	213.0654.086	080	AQRM170	2000101056	045
ANMX-BU	213.0654.085	080	AQRM173	2000101063	045
ANMX-S1	213.0651.921	078	AQRM176	2000101062	045
ANMX-S2	213.0651.922	077	AQRM304	2000101118	080
ANMX21ES	213.0649.013	079	AQRM460	2000065995	218
ANMX30U	213.0648.990	078	AQRM464	2000100071	218
ANMX32L	213.0651.857	076	AQRM550	2000100076	222
ANMX33L	213.0649.011	077	AQRM551	2000100082	222
ANMX35L	2030072219	076	AQRM552	2000100083	222

# Type index

Type	Item Number	Page	Type	Item Number	Page
AQRM553C	2000101061	223	BS301N	207.0599.545	348
AQRM554C	2000103712	223	BS302	2000071903	348
AQRM559	2000066508	222	BS303	2000090080	348
AQRM706	2000100899	196	BS304	2000100939	348
AQRM707	2000100900	196	BS311N	2030045749	343
AQRM905	2000100805	058	BS312N	2030045750	343
AQRM906	2000100806	058	BS313N	2030045753	342
AQRM907	2000100809	058	BS314N	2030045754	342
AQRM909	2000101463	059	BS315N	2030045755	342
AQRM924	2000104396	397	BS323N	2030045756	343
AQRM928	2000101441	201	BS324N	2030045757	343
AQUA130	2000067773	047	BS330	2000090081	347
AQUA131	2000067774	046	BS332	2000100077	347
AQUA134	2000102693	048	BS333	2000100078	347
AQUA135	2000102697	047	BS340	2000057989	347
AQUA205W	2000065911	045	BS351	2000100062	346
AQUA205	2000065910	045	BS352	2000100063	346
AQUA420	2000071169	222	BS353	2000100064	346
AQUA422	2000102700	222	BS354	2000056824	346
AQUA555	2000067493	224	BS550	2000100030	233
AQUA557	2000067429	224	BS551	2000100031	233
AQUA751	2000065932	195	BS552	2000100032	233
AQUA757	2000103757	195	BS610	2000056825	289
AQUA800	2000100340	193	BS646	2000056910	290
AQUA801	2000100342	193	BS648	2000057041	290
AQUA802	2000100418	193	BS677	2000057045	267
AQUA803	2000100419	193	BS677	2000057045	292
ARTW410	2000056770	311	BS686	2000057078	293
ASEX1031	2030068573	202	BXSV6	2000056952	082
ASEX1031	2030068573	227	BXSV12	2000056946	082
ASLM2004	2030042712	397	BXSV16	2030046197	082
ASSM1001	2030046146	395	BXSV18	2000056950	082
ASSM9001	2030046185	394	BXSV24	2000100088	082
ASSM9001	2030046185	396	BXSV30	2030046195	082
ASSV1005	2030049138	395	<b>C</b>		
ASSX1003	2030042948	395	C20132N	2000100322	351
ASSX9001	2030046145	394	C20133N	2000100323	351
ASSX9001	2030046145	396	C20136L	2000100326	353
ASXX1008	2030041424	059	C20136R	2000100327	353
AT3O0051	2030021142	225	C20137N	2000100324	353
AT99-102	2030039046	129	C20148N	2000100325	352
AT99-103	2030039048	129	C20149N	2000100328	352
<b>B</b>			C20150N	2000100329	352
BR300OU	2000100793	074	C20174N	2000100330	352
BS204-M	2000103078	070	C20175N	2000100331	352
BS204	2000090016	070	CA210/2N	2030045758	342
BS205-M	2000103080	070	CA210/7N	2030045759	342
BS205	2000090017	070	CAMB10HP	2030057691	295
BS206	2000058442	070	CAMB11HS	2030057693	295
BS300N	207.0599.542	348	CAMB20VP	2030057694	295

Type	Item Number	Page	Type	Item Number	Page
CAMB22VS	2030057695	295	CMPX594G	2000100151	234
CHRH401	2000056953	294	CMPX594S	2000100148	234
CHRH501	2000056955	294	CMPX594W	2000100152	234
CHRH601	2000056956	294	CMPX594	2000100147	234
CHRX607	2000057137	289	CMPX597B	2000100156	234
CHRX608	2000057138	289	CMPX597G	2000100157	234
CHRX644	2000100804	290	CMPX597S	2000100154	234
CHRX669	2000060983	293	CMPX597W	2000100158	234
CHRX670	2000057141	293	CMPX597	2000100153	234
CHRX675	2000057143	292	CMPX700	2000056977	231
CHRX676N	2030028851	292	CNTX007	2030021878	322
CHRX679	2000057146	292	CNTX20WL	2030038220	317
CHRX690	2000057150	291	CNTX20WR	2030038221	317
CM700	2000100039	070	CNTX21W	2030038226	317
CM1400	2000100036	071	CNTX22WL	2030038223	317
CM2100	2000100037	071	CNTX22WR	2030038225	317
CM2800	2000100038	071	CNTX50WL	2030038227	318
CMPX136	2030020069	239	CNTX50WR	2030038228	318
CMPX137	2030020070	239	CNTX52W	2030036235	318
CMPX150	2030020067	136	CNTX70C	2000057751	319
CMPX151	2030019961	137	CNTX70D	2000057752	319
CMPX152	2030019897	136	CNTX70E	2000057753	319
CMPX156	2000102698	105	CNTX72F-L	2000103284	320
CMPX401N	2030068013	193	CNTX72F-R	2000103283	320
CMPX403	2000090029	129	CNTX73A	2000103669	319
CMPX404N	2030068014	193	CNTX73B	2000103670	319
CMPX502N	2030018490	235	CNTX91	2000057509	323
CMPX503N	2030023692	235	CNTX268	2030038268	322
CMPX504	2000102732	235	CNTX300W	2030033995	316
CMPX538E	2000100769	231	CNTX400A	2000057738	321
CMPX538RS	2000103380	230	CNTX400WB	2030041144	321
CMPX538WF	2000071875	230	CNTX450W	2030033978	316
CMPX538	2000071872	230	CNTX600W	2030032985	316
CMPX539	2030066247	230	CNTX700WA	2030037502	316
CMPX551GE	2030020113	232	CNTX750W	2030033997	316
CMPX551	2000056957	232	CNTX900W	2030033990	316
CMPX552GE	2030020114	232	CNTX1050W	2030034502	316
CMPX552	2000056967	232	CNTX1100W	2030033994	316
CMPX553GE	2030020115	232	CUBX001HP	2000106345	304
CMPX553	2000056969	232	CUBX002HP	2000106347	304
CMPX554GE	2030020116	232	CUBX004HP	2000106351	304
CMPX555GE	2030020117	232	CUBX005HP	2000106353	305
CMPX555	2000056971	232	CUBX006HP	2000106355	306
CMPX560	2000056972	231	CUBX007HP	2000106357	306
CMPX592B	2000100136	233	CUBX010HP	2000106359	306
CMPX592G	2000100137	233	CUBX012HP	2000106361	304
CMPX592S	2000100134	233	CUBX111HP	2000106363	305
CMPX592W	2000100138	233	CUBX211HP	2000106365	305
CMPX592	2000100133	233			
CMPX594B	2000100150	234			
			<b>D</b>		
			DRYX500N	2030044751	054

# Type index

Type	Item Number	Page	Type	Item Number	Page
DRYX500N	2030044751	055	EXOS220B	2030034622	248
DRYX500N	2030044751	206	EXOS220B	2030034622	310
DRYX500N	2030044751	207	EXOS220W	2030034660	248
DRYX500N	2030044751	208	EXOS220W	2030034660	310
DRYX500N	2030044751	209	EXOS220X	2030027981	248
DRYX600	2030069907	312	EXOS220X	2030027981	310
<b>E</b>			EXOS600B	2030022934	249
E-BS602E	2000101106	289	EXOS600EB	2030034625	249
E-RNDX-SIPHON	2000101371	075	EXOS600EW	2030034662	249
E-RNDX-UEL SET	2000101364	075	EXOS600EX	2030034624	249
E-XINH-VALVE-SS	2000101361	075	EXOS600W	2030025229	249
E-XINH VALVE	2000101365	075	EXOS600X	2030022933	249
EANMX002	2000103407	075	EXOS602EB	2030034627	252
EAQFT0002	2030008760	394	EXOS602EW	2030034663	252
EAQFT0007	2030017123	394	EXOS602EX	2030034626	252
EAQLN0001	2000104374	399	EXOS605B	2030022929	250
EAQLN0002	2000104375	393	EXOS605EB	2030034629	250
EAQLN0004	2000104394	399	EXOS605EW	2030034664	250
EAQLN0005	2000104403	394	EXOS605EX	2030034628	250
EAQLN0005	2000104403	395	EXOS605W	2030025228	250
EAQLN0005	2000104403	397	EXOS605X	2030022928	250
EAQMX0001	2000104377	393	EXOS611B	2030030108	251
EAQMX0002	2000104382	393	EXOS611EB	2030034631	251
EFITG0007	2000104398	399	EXOS611EW	2030034665	251
EFITG0008	2000104399	399	EXOS611EX	2030034630	251
EFITG0009	2000104400	399	EXOS611W	2030030111	251
EFLSY0001	2000104356	398	EXOS611X	2030028001	251
EFLSY0002	2000104380	397	EXOS616B	2030022946	246
EFLSY0004	2000104384	398	EXOS616EB	2030034636	246
EFLSY0005	2000104389	397	EXOS616EW	2030034666	246
EFLSY0016	2000104418	399	EXOS616EX	2030034634	246
EFLSY0020	2000104483	399	EXOS616W	2030025232	246
EFLSY0036	2000105612	398	EXOS616X	2030022945	246
ESHOW0001	2000104352	396	EXOS618B	2030022940	245
ESHOW0002	2000104353	395	EXOS618EB	2030034638	245
ESHOW0003	2000104354	396	EXOS618EW	2030034667	245
ESHOW0006	2000104373	395	EXOS618EX	2030034637	245
ESHOW0007	2000104383	396	EXOS618W	2030025230	245
ETAPS0001	2000104372	393	EXOS618X	2030022939	245
ETAPS0001	2000104372	398	EXOS625B	2030022943	244
ETAPS0002	2000104357	393	EXOS625EB	2030034641	244
ETAPS0003	2000104376	394	EXOS625EW	2030034668	244
ETAPS0007	2000104387	394	EXOS625EX	2030034639	244
ETAPS0007	2000104387	395	EXOS625W	2030025231	244
ETAPS0007	2000104387	397	EXOS625X	2030022942	244
ETAPS0008	2000104388	394	EXOS627X	2030062512	247
ETAPS0008	2000104388	395	EXOS629X	2030062588	247
ETAPS0008	2000104388	397	EXOS637B	2030022951	248
ETAPS0013	2000104402	394	EXOS637W	2030025233	248
EXOS0027	2030036621	225	EXOS637X	2030022950	248

Type	Item Number	Page	Type	Item Number	Page
EXOS670X	2030028245	253	F3EV1021	2030040105	039
EXOS675X	2030031170	253	F3EV1022	2030040224	038
EXOS676B	2030034645	252	F3SM1001	2030034411	035
EXOS676EB	2030034644	252	F3SM1002	2030036195	035
EXOS676EW	2030034669	252	F3SM1003	2030036196	035
EXOS676EX	2030034642	252	F3SM1004	2030036197	035
EXOS676W	2030034670	252	F3SM1006	2030040037	035
EXOS676X	2030033180	252	F3SM1007	2030040038	035
EXOS687X	2030027995	253	F3SM1008	2030049136	035
<b>F</b>			F3SM2001	2030036198	158
F3BV1001	2030036142	039	F3SM2002	2030036202	158
F3BV2001	2030040069	161	F3SM2004	2030040074	159
F3BX1001	2030040479	043	F3SM1005	2030039562	035
F3BX2001	2030036141	161	F3SV1001	2030034410	034
F3EF3001	2030072417	218	F3SV1002	2030034413	034
F3EM1001	2030033388	040	F3SV1003	2030048760	034
F3EM1002	2030033389	040	F3SV1004	2030049135	034
F3EM1003	2030033545	041	F3SV1005	2030049137	034
F3EM1005	2030039469	041	F3SV2001	2030034414	156
F3EM1006	2030039470	040	F3SV2002	2030034415	156
F3EM1007	2030039471	040	F3SV2003	2030034416	157
F3EM1008	2030039472	041	F3SV2004	2030037525	156
F3EM1009	2030039473	041	F3SV2005	2030040072	157
F3EM1016	2030040124	042	F3SV2009	2030053188	157
F3EM1017	2030040125	042	F4ET1001	2030072424	114
F3EM1018	2030040126	042	F4ET1002	2030072425	114
F3EM1019	2030040127	042	F4LT1002	2030066749	116
F3EM1020	2030040128	042	F4LT1003	2030067801	116
F3EM1021	2030040130	042	F4LT1005	2030066753	117
F3ET1001	2030032507	044	F4LT1008	2030068119	116
F3ET1002	2030032506	044	F4LT1009	2030068120	116
F3ET1003	2030026612	044	F4LT1010	2030072403	112
F3ET1010	2030040200	043	F4LT1015	2030072404	112
F3ET1011	2030040202	043	F4LT1024	2030072407	113
F3ET1012	2030040217	043	F4LT1025	2030072408	113
F3ET2004	2030067170	160	F4LT2003	2030066757	113
F3EV1001	2030033385	036	F4MT2001	3600000189	115
F3EV1002	2030033387	036	F5BTX002	2030071303	149
F3EV1003	2030033544	037	F5BTX002	2030071303	025
F3EV1004	2030036177	038	F5BX1001	2030028992	027
F3EV1005	2030039459	037	F5BX2001	2030028990	155
F3EV1006	2030039462	036	F5DR2001	2030050305	313
F3EV1007	2030039463	036	F5DR2002	2030052323	313
F3EV1008	2030039464	037	F5DR2003	2030052324	313
F3EV1009	2030039465	037	F5DR2004	2030052327	313
F3EV1016	2030040095	039	F5DR2005	2030052328	313
F3EV1017	2030040096	039	F5EF3002	2030062317	219
F3EV1018	2030040098	039	F5EF3008	2030067530	220
F3EV1019	2030040103	039	F5EF3009	2030067531	220
F3EV1020	2030040104	039	F5EF3010	2030067743	219

# Type index

Type	Item Number	Page	Type	Item Number	Page
F5EF4002	2030062326	223	F5EV1013	2030062315	027
F5EM1001	2030027923	021	F5EV2005	2030067748	150
F5EM1002	2030035328	021	F5LM1033	2030066466	030
F5EM1003	2030035329	022	F5LM1034	2030066467	030
F5EM1004	2030036159	022	F5LM1035	2030066468	030
F5EM1005	2030031350	023	F5LME001	2030061048	033
F5EM1006	2030035332	023	F5LME002	2030061065	033
F5EM1007	2030039427	021	F5LT1001	2030066480	028
F5EM1008	2030039431	021	F5LT1002	2030066481	028
F5EM1009	2030039432	022	F5LT1003	2030066482	029
F5EM1010	2030039434	022	F5LT1005	2030066484	032
F5EM1015	2030058995	052	F5LT1010	2030066301	029
F5ET1001	2030032980	024	F5LT1011	2030066489	029
F5ET1002	2030032981	024	F5LT1013	2030066491	032
F5ET1003	2030032983	024	F5LT1033	2030065268	053
F5ET1004	2030036210	025	F5LT2001	2030066495	153
F5ET1005	2030036211	025	F5LT2003	2030066497	153
F5ET1006	2030036212	025	F5LT2004	2030066498	152
F5ET1013	2030038681	026	F5LT2005	2030066500	155
F5ET1014	2030038682	026	F5LT2007	2030066501	154
F5ET1015	2030038683	026	F5LT2012	2030066503	152
F5ET1016	2030039527	024	F5LT2020	2030066509	182
F5ET1017	2030039528	024	F5LT2021	2030066510	184
F5ET1018	2030039529	024	F5LT2022	2030066541	183
F5ET1019	2030039530	025	F5LT2023	2030066542	185
F5ET1020	2030039538	025	F5LT2024	2030066543	186
F5ET1021	2030039539	025	F5LT2025	2030066544	190
F5ET2001	2030032990	146	F5LT2026	2030066546	188
F5ET2003	2030036691	148	F5LT2027	2030066547	187
F5ET2005	2030039542	147	F5LT2028	2030066548	191
F5ET2006	2030039543	149	F5LT2029	2030066549	189
F5ET2007	2030039547	146	F5SM1001	2030036163	016
F5ET2008	2030039548	148	F5SM1003	2030032991	017
F5ET2009	2030039550	147	F5SM1004	2030032992	017
F5ET2010	2030039551	149	F5SM1005	2030032993	017
F5ET2020	2030054250	177	F5SM1006	2030039396	016
F5ET2021	2030056562	178	F5SM1008	2030040314	017
F5ET2024	2030056563	179	F5SM1009	2030040316	017
F5ET2025	2030056573	181	F5SM1010	2030040317	017
F5ET2026	2030056574	180	F5SM1011	2030058991	052
F5ET2031	2030067151	151	F5SM2001	2030032998	140
F5ET2040	2030071563	150	F5SM2002	2030036685	140
F5EV1001	2030027922	019	F5SM2003	2030036686	140
F5EV1002	2030035330	019	F5SM2004	2030029012	141
F5EV1003	2030035331	020	F5SM2005	2030036693	141
F5EV1004	2030036158	020	F5SM2014	2030056581	162
F5EV1005	2030039435	019	F5SM2015	2030056584	164
F5EV1006	2030039436	019	F5SM2016	2030056588	165
F5EV1007	2030039437	020	F5SM2020	2030054248	162
F5EV1008	2030039438	020	F5SM2021	2030056548	163

Type	Item Number	Page	Type	Item Number	Page
F5SM2024	2030056549	164	FAID675	2000101127	385
F5SM2025	2030056550	166	FAID676	2000101128	385
F5SM2026	2030056552	165	FAID677	2000101129	385
F5ST1001	2030032959	018	FAID903	2000101153	387
F5ST1002	2030032963	018	FAID904	2000101152	387
F5ST1003	2030032967	018	FIRX001HP	2000106265	301
F5ST1004	2030040242	017	FIRX002HP	2000106267	301
F5ST1005	2030040243	017	FIRX004HP	2000106271	301
F5ST1006	2030040288	017	FIRX005HP	2000106273	303
F5ST2001	2030032978	142	FIRX006HP	2000106275	302
F5ST2002	2030036208	142	FIRX010HP	2000106279	302
F5ST2003	2030036209	143	FIRX0110HP	2000106287	303
F5ST2009	2030040291	141	FIRX012HP	2000106281	301
F5ST2011	2030050552	142	FIRX104HP	2000106283	302
F5ST2020	2030055929	167	FIRX107HP	2000106285	302
F5ST2021	2030056539	169	FIRX111HP	2000106289	303
F5ST2022	2030056541	168	FIRX211HP	2000106293	303
F5ST2023	2030056542	170	FRK10233	2030016320	291
F5ST2024	2030056543	171	FXCD1001M	2030063219	056
F5ST2025	2030056544	175	FXCT1001M	2030065018	057
F5ST2026	2030054253	173	<b>G</b>		
F5ST2027	2030056545	172	GLX2020	2030062801	247
F5ST2028	2030056546	176	GLX2020	2030062801	258
F5ST2029	2030056547	174	GLX2020	2030062801	274
F5ST2032	2030067154	145	<b>H</b>		
F5ST2034	2030067158	145	HBD191	2000057080	267
F5ST2036	2030067163	145	HDTX0001	2030005623	336
F5ST2037	2030067164	144	HDTX0010	2030019878	294
F5ST2039	2030067167	145	HDTX0011	2030019884	294
F5SV1001	2030036165	016	HDTX0012	2030019886	294
F5SV1002	2030039426	016	HDTX0013	2030020885	339
F832V-F	2000057046	132	HDTX0014	2030020886	339
F832V-F	2000057046	354	HDTX0015	2030020887	339
F832V	2000100061	132	HDTX0020	2000108112	332
F832V	2000100061	354	HDTX0021	2000108113	332
FAID0001	2030018810	385	HDTX0022	2030005341	332
FAID0002	2030018821	386	HDTX450	2000100349	328
FAID0003	2030019025	380	HDTX455	2000100058	328
FAID0004	2030019057	380	HDTX504	2000108804	331
FAID0005	2030019066	381	HDTX538RS	2000103385	331
FAID0006	2030019084	382	HDTX538	2000101023	331
FAID0007	2030019170	382	HDTX592	2000100447	330
FAID0008	2030019175	383	HDTX594	2000100444	330
FAID0009	2030019182	383	HDTX597	2000100729	330
FAID0010	2030019212	384	HDTX644	2000103076	291
FAID0011	2030019221	384	HDTX644	2000103076	338
FAID100	2000101100	378	HDTX673E	2000102704	338
FAID101	2000101101	378	HDTX674	2000057081	337
FAID103	2000101102	379	HDTX675E	2000103188	337
FAID108	2000101103	379	HDTX691	2030022465	338

# Type index

Type	Item Number	Page	Type	Item Number	Page
HDTX692	2000090046	338	MAXS112-140	2000057662	370
HDTX693	2000090047	338	MAXS117-120 SET	2000104005	369
HDTX805L	2000100953	332	MAXS117-120	2000057698	369
HDTX805M	2000100954	332	MAXS117-140 SET	2000104006	370
HDTX805R	2000100955	332	MAXS117-140	2000057700	370
HDTX806L	2000100956	334	MAXS200-120 SET	2000104037	369
HDTX806M	2000100957	334	MAXS200-120	2000057702	369
HDTX806R	2000100958	334	MAXS212-160 SET	2000104014	370
HDTX815L	2000100965	333	MAXS212-160	2000057704	370
HDTX815M	2000100966	333	MAXS212-200 SET	2000104015	371
HDTX815R	2000100967	333	MAXS212-200	2000057706	371
HDTX816L	2000100968	335	MAXS217-160 SET	2000104007	370
HDTX816M	2000100969	335	MAXS217-160	2000057708	370
HDTX816R	2000100970	335	MAXS217-200 SET	2000104008	371
HWTE0001	2030062338	128	MAXS217-200	2000057710	371
<b>I</b>			MAXS222-260 SET	2000104017	371
INOX-CREME	2000057675	390	MAXS222-260	2000057712	371
<b>L</b>			MAXS227-260 SET	2000104016	371
LTJ450	2000057085	344	MAXS227-260	2000057714	371
LTJ500	2000057087	344	MB5040	2000103435	345
<b>M</b>			MB5044	2000100090	345
M400HD	2000057089	339	MB7050	2000103436	345
M500HD	2000057090	339	MB7054	2000100092	345
M501HD	2000103195	294	MEDX001HP	2000106243	298
M501HD	2000103195	323	MEDX002HP	2000106245	298
M600HD	2000057091	339	MEDX004HP	2000106247	298
MAXL100-70 SET	2000104038	372	MEDX005HP	2000106249	300
MAXL100-70	2000057144	372	MEDX006HP	2000106251	299
MAXL112-140 SET	2000104009	373	MEDX007HP	2000106253	299
MAXL112-140DWSE	2000104032	374	MEDX010HP	2000106255	299
MAXL112-140DW	2000057202	374	MEDX0110HP	2000106261	300
MAXL112-140	2000057159	373	MEDX012HP	2000106257	298
MAXL117-140 SET	2000104002	373	MEDX104HP	2000106385	299
MAXL117-140	2000057556	373	MEDX111HP	2000106263	300
MAXL140-70FDW	2000057560	375	MISX0009HP	2000106381	307
MAXL200-120 SET	2000104039	372	MISX2009HP	2000106380	307
MAXL200-120	2000057561	372	<b>P</b>		
MAXL212-200 SET	2000104010	373	PL6SB	2030043805	082
MAXL212-200	2000057584	373	PL6T	2030043784	081
MAXL217-200 SET	2000104003	373	PL6	2030043777	081
MAXL217-200	2000057586	373	PL8SB	2030043806	082
MAXL227-260 SET	2000104004	374	PL8T	2030043785	081
MAXL227-260	2000057613	374	PL8	2030043778	081
MAXS100-60 SET	2000104035	368	PL12SB	2030043807	082
MAXS100-60	2000057616	368	PL12T	2030043786	081
MAXS100-70 SET	2000104036	368	PL12	2030043779	081
MAXS100-70	2000057639	368	PL16SB	2030043808	082
MAXS112-120 SET	2000104012	369	PL16T	2030043787	081
MAXS112-120	2000057641	369	PL16	2030043780	081
MAXS112-140 SET	2000104013	370	PL18SB	2030043809	082



Type	Item Number	Page	Type	Item Number	Page
PL18SU	2030043812	082	RODX605E	2000090062	278
PL18T	2030043788	081	RODX605SL	2000103806	280
PL18	2030043781	081	RODX605S	2000101236	278
PL24SB	2030043810	082	RODX605S	2000101236	279
PL24T	2030043789	081	RODX605TTH	2030064649	279
PL24	2030043782	081	RODX605	2000090061	278
PL30SB	2030043811	082	RODX605	2000090061	279
PL30T	2030043790	081	RODX606	2000101346	277
PL30	2030043783	081	RODX607TT	2000101212	279
PREL214	2000100787	083	RODX607	2000101351	278
PREL321	2000100789	083	RODX607	2000101351	279
PRES212	2000100790	083	RODX608	2000101357	279
PRES318	2000100791	083	RODX611	2000090063	281
PRTRS0009	2030025078	048	RODX612E	2000101359	281
PRTRS0011	2030025088	046	RODX612	2000101358	280
PURE0025	2000111051	201	RODX616	2000101222	273
PURE0026	2000111052	201	RODX617E	2000101220	283
PURE0027	2000111053	201	RODX617	2000101219	283
PURE0031	2030012758	060	RODX618E	2000090066	273
<b>R</b>			RODX618	2000090067	272
RH320	2000057717	337	RODX619E	2000090069	272
RNDH200	2000056306	072	RODX619	2000090068	272
RNDH260	2000056335	072	RODX625	2000090070	273
RNDH300	2000056337	072	RODX627H	2030062868	274
RNDH360	2000056428	073	RODX629	2030062579	274
RNDH381	2000056432	073	RODX630	2000090071	276
RNDH420	2000056536	073	RODX672E	2000090073	284
RNDH450-O	2000056539	074	RODX672	2000090072	284
RNDH451-O	2000056717	074	RODX674B	2030002104	284
RNDX200	2000056331	072	RODX677	2030066921	285
RNDX260	2000056336	072	RODX678	2030013026	284
RNDX300	2000056424	072	RODX687	2000100000	285
RNDX360	2000056431	073	<b>S</b>		
RNDX381	2000056436	073	SANW0117	2000105049	108
RNDX420	2000056537	073	SANW0118	2000104999	108
RNDX450-O	2000056606	074	SANW0119	2030063270	108
RNDX451-O	2000056719	074	SANW200	2000103056	102
RODX191	2000101218	285	SANW205	2000103057	103
RODX310	2000090055	275	SANW211	2000103058	103
RODX310	2000090055	311	SANW212	2000103059	103
RODX600E	2000090057	275	SANW215	2000106654	102
RODX600ME	2000090058	276	SANW1200	2030057405	107
RODX600TT	2000102672	276	SANW1400	2030057406	107
RODX600	2000090056	275	SANW1800	2030057408	107
RODX601	2000101221	277	SANW2400	2030057410	107
RODX602E	2000090060	282	SB400	2000100065	068
RODX602	2000090059	282	SB450	2000100338	071
RODX604E	2000101347	277	SB500	2000100066	068
RODX604	2000101345	277	SB600	2000100067	068
RODX605EE	2000101344	278	SD80	2000056721	288

# Type index

Type	Item Number	Page	Type	Item Number	Page
SD99-009	2030039032	288	SIRX731C	2000100356	357
SD99-010	2030039038	288	SIRX741C	2000101549	357
SD99-012	2030054679	288	SIRX751	2000100068	356
SD99-013	2030054678	288	SIRX752	2000100357	356
SD110	2000102699	288	SIRX753	2000100359	356
SD300	2000057729	336	SIRX754	2000100360	356
SHAC0008	2030021283	194	SIRX755	2000100361	356
SHAC0011	2030054254	198	SIRX756	2000100362	356
SHAC0013	2030055724	194	SIRX757	2000100363	357
SHAS0011	2030054255	198	SIRX832	2000071907	133
SHHE0004	2030034417	196	SIRX832	2000071907	355
SHMU0011	2030054793	198	SIRX835	2000071901	131
SHMU0012	2030055723	196	SIRX835	2000071901	355
SIRB711	2000101085	365	SIRX836	2000071902	131
SIRB712	2000101084	365	SIRX836	2000071902	355
SIRB714	2000101080	365	STRX220	2030027296	259
SIRB715	2000101083	365	STRX220	2030027296	310
SIRW24D	2000105177	104	STRX600	2000057205	259
SIRW380	2000103287	360	STRX601E	2000057226	261
SIRW384	2000103285	360	STRX601	2000057209	261
SIRW385	2000103286	360	STRX602E	2000057227	264
SIRW511	2000101200	104	STRX605	2000057228	262
SIRW511	2000101200	363	STRX607	2000057230	262
SIRW721A	2000102727	364	STRX608	2000057231	263
SIRW721B	2000102728	364	STRX611E	2000057376	264
SIRW731A	2000102729	364	STRX611	2000057375	263
SIRW731B	2000102730	364	STRX615	2000100014	268
SIRW759	2000102726	363	STRX616	2000100001	256
SIRW770	2000102720	361	STRX618	2000057379	256
SIRW771	2000102722	361	STRX619E	2000057385	257
SIRW772	2000102721	361	STRX619	2000057382	256
SIRW773	2000102723	361	STRX624	2000102701	269
SIRW774	2000102724	362	STRX625	2000057388	257
SIRW775	2000102725	362	STRX627	2030062519	258
SIRW810	2000101109	359	STRX629	2030062581	258
SIRW840	2000101335	363	STRX630	2000057390	260
SIRW841	2000101336	363	STRX635B	2030025051	260
SIRX340	2000090082	344	STRX637	2000110533	260
SIRX342	2000090083	345	STRX670	2000057394	266
SIRX355	2000103647	349	STRX671E	2000057396	265
SIRX356	2000103648	350	STRX671L	2000057397	265
SIRX360	2000103649	350	STRX671	2000057395	265
SIRX364	2000103260	350	STRX672E	2000057400	266
SIRX368	2000103269	351	STRX672	2000057399	266
SIRX370	2000101175	131	STRX673E	2000057422	267
SIRX370	2000101175	354	STRX680	2000057401	268
SIRX512	2000101201	105	STRX687	2000057403	268
SIRX514	2000101202	105	STRX692	2000057979	269
SIRX711C	2000100354	357	STRX694	2000057985	269
SIRX721C	2000100355	357			

Type	Item Number	Page
<b>T</b>		
TA500HD	2000102702	291
TA500HD	2000102702	339
TA600HD	2000090054	291
TA600HD	2000090054	339
TB60	2000101452	082
TB80	2030046200	082
TD350	2000057407	336
TWISTER 1	2000090040	390
<b>U</b>		
U701V	2000100784	346
U702V	2000100785	346
<b>V</b>		
VR99-017	2030039303	329
VR99-036	2030039327	329
VR99-081	2030053464	329
VR99-086	2030053462	329
<b>W</b>		
WB260WM	2030072330	069
WB440COP	2000100353	349
WB500GV	2000057408	349
WSPL0017	2000107663	359
WSPL0018	2000107664	359
WT310E	2000090018	065
WT360C	2000100443	065
WT400A-M	2000103762	067
WT400A	2000090019	067
WT400C-M	2000103763	066
WT400C	2000090020	066
WT450	2000100365	069
WT500A-M	2000103764	067
WT500A	2000090021	067
WT500C-M	2000103094	066
WT500C	2000090022	066
WT600A-M	2000103765	067
WT600A	2000090023	067
WT600C-M	2000103766	066
WT600C	2000090024	066
<b>X</b>		
XINX140	2000057417	075
<b>Z</b>		
ZA3OP0011	2000108123	210
ZA3OP0022	2030016282	210
ZA3OP0034	2030068513	210
ZAQCT0002	2000109499	392
ZAQCT0003	2000109466	60
ZAQUA006	2000100977	210
ZAQUA007	2000100375	211
ZAQUA011	2000104272	211

Type	Item Number	Page
ZAQUA012	2000104274	211
ZAQUA013	2000100857	211
ZAQUA014	2000100847	211
ZAQUA015	2000100431	392
ZAQUA017	2000100972	212
ZAQUA018	2000100973	212
ZAQUA019	2000100974	212
ZAQUA020	2000100975	212
ZAQUA021	2000100976	212
ZAQUA022	2000102675	202
ZAQUA026	2000101173	215
ZAQUA029	2000101182	214
ZAQUA030	2000101183	215
ZAQUA031	2000101509	215
ZAQUA075	2000100853	212
ZAQUA077	2000100801	211
ZAQUA078	2000100852	211
ZAQUA082	2000100820	226
ZAQUA087	2000101160	059
ZAQUA091	2000101087	061
ZAQUA091	2000101087	203
ZAQUA091	2000101087	226
ZAQUA093	2000102690	391
ZAQUA701	2000101467	200
ZCMPX0001	2000102705	339
ZCMPX140	2000100867	137
ZCMPX140	2000100867	241
ZCMPX152/1	2000100941	137
ZCTRL0001	2000111145	202
ZCTRL0001	2000111145	392
ZFAID0001	2030018827	386
ZFAID694	2000101156	386
ZFAID700	2030060157	386
ZFITG0001	2000103570	391
ZFITG0003	2000106127	391
ZFITG0005	2000110478	391
ZFITG0006	2000110479	391
ZSHOW0006	2000104916	201
ZTAPS0004	2000107291	058
ZWSPL0023	2000105091	390
ZWSPL0024	2000109019	390
ZWSPL0025	2000110575	390



The ultimate  
choice